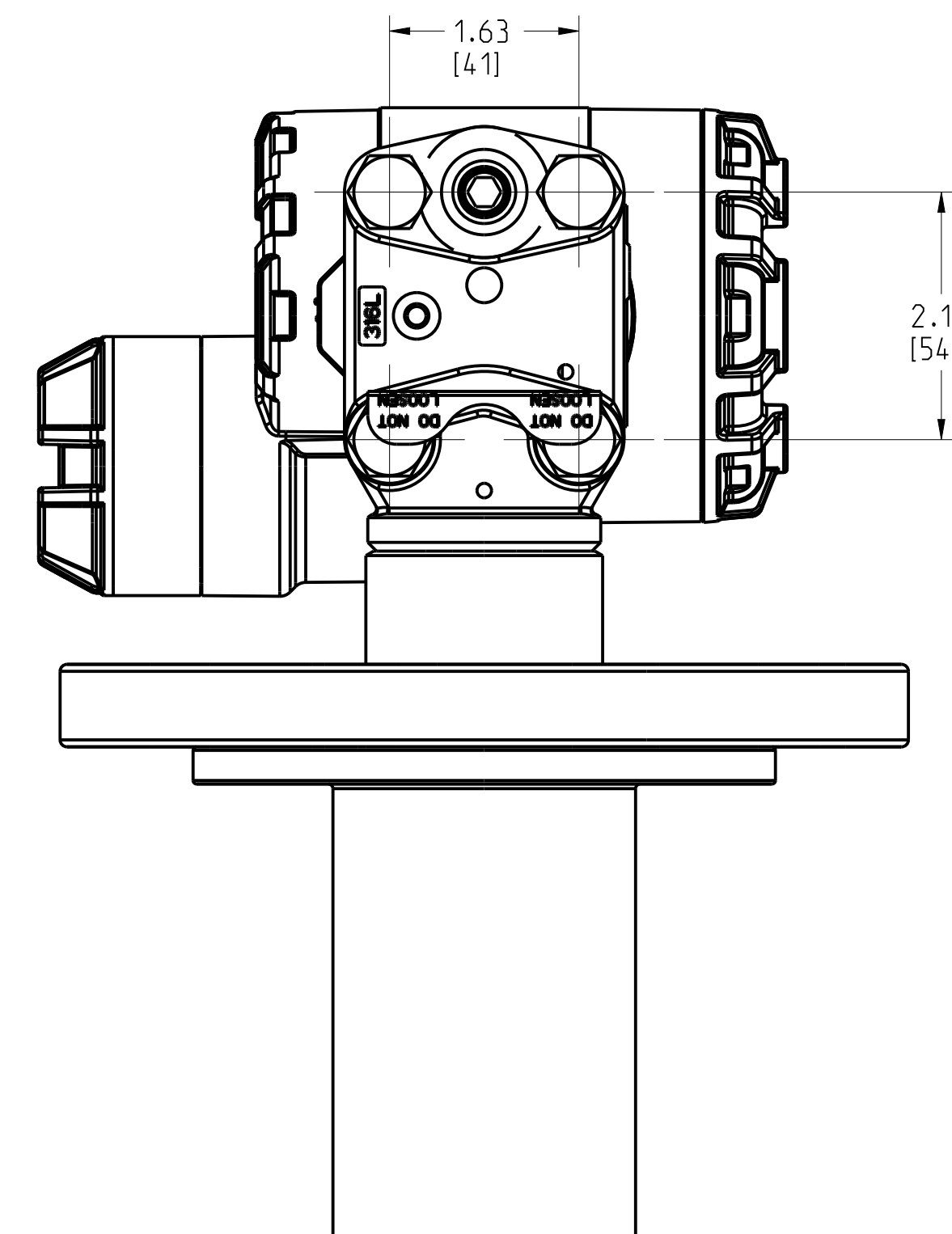
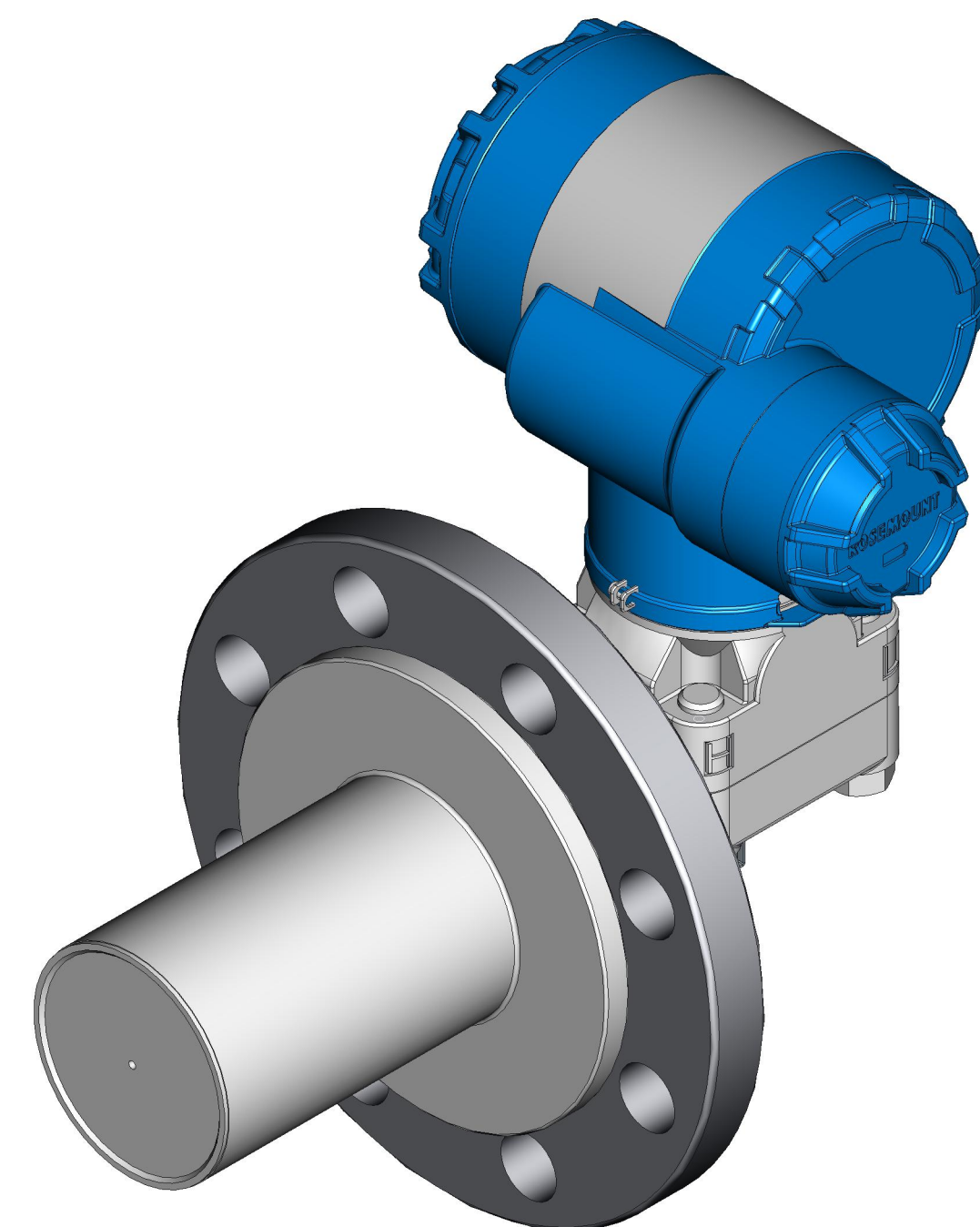
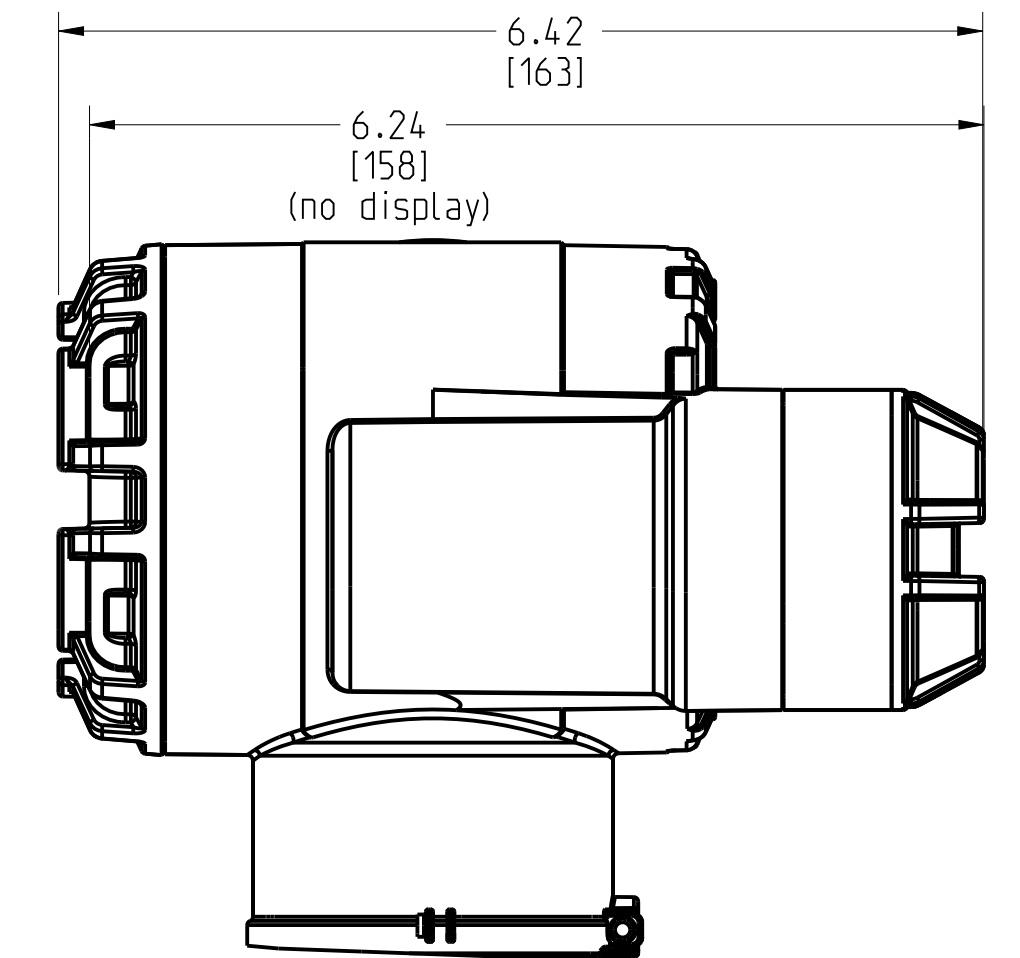
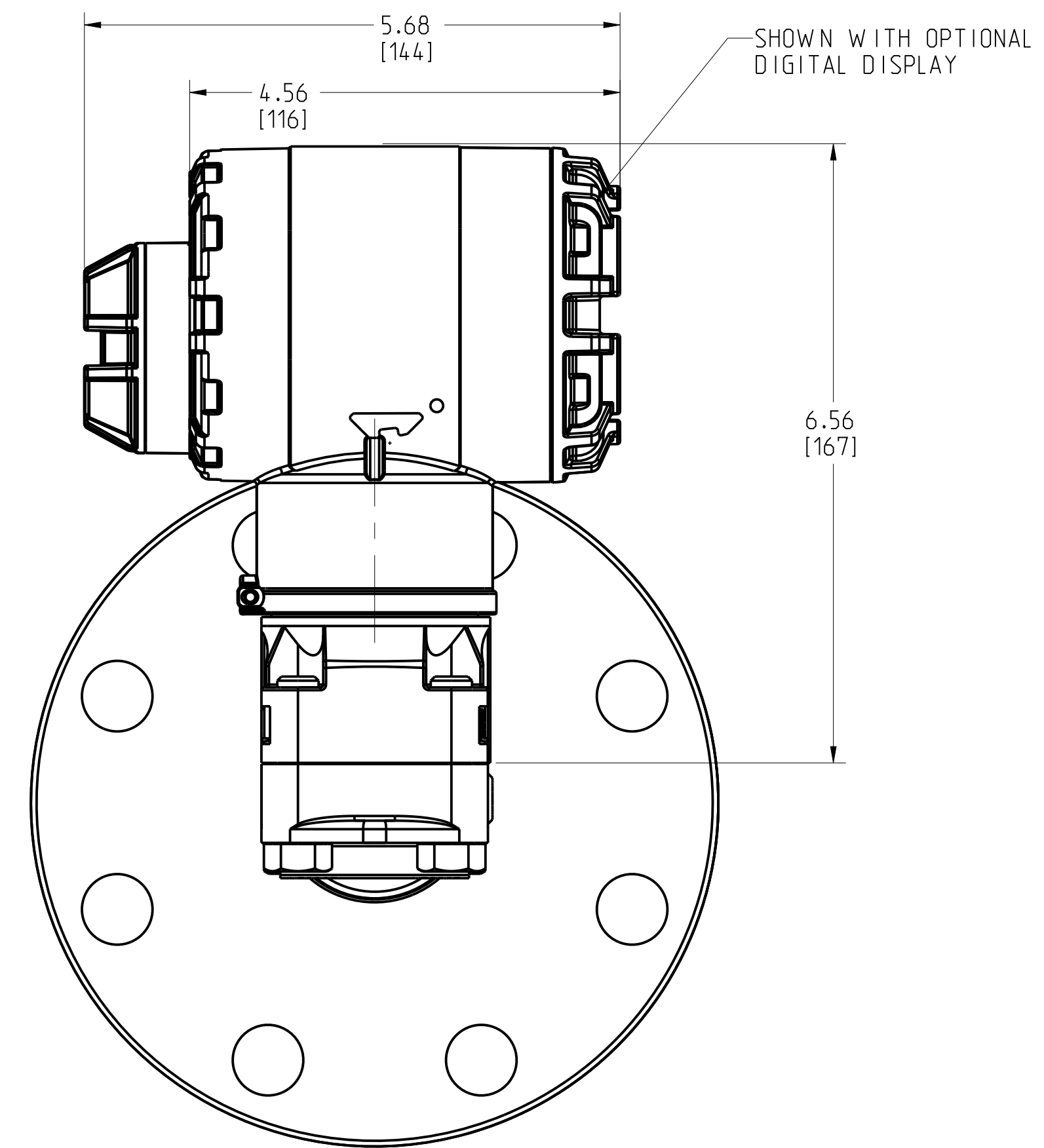
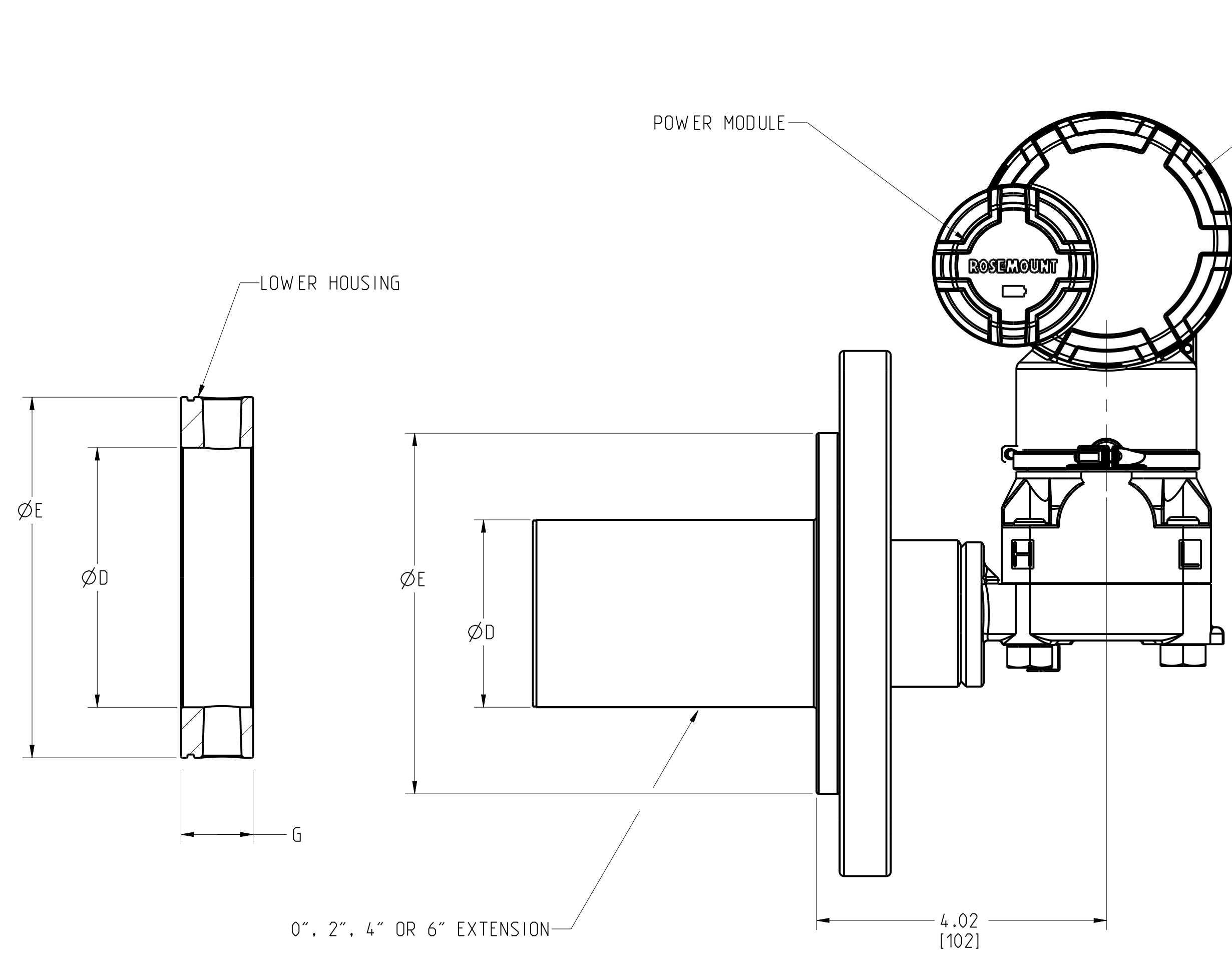


ROSEMOUNT 2051L WIRELESS COPLANAR PRESSURE TRANSMITTER
 COPLANAR FLANGE PROCESS CONNECTION

OUTPUT CODE (X)
 POLYMER HOUSING

SHOWN WITH HS OPTION



©2015 ROSEMOUNT, INC.
 ROSEMOUNT INCORPORATES
 THIS INFORMATION IN
 THIS DRAWING IN ACCORDANCE WITH
 ROSEMOUNT ENGINEERING
 SPECIFICATIONS.
 UNIT NOTES IN INCHES (mm).

REFERENCE ROSEMOUNT
 PRODUCT SHEETS FOR
 PRODUCT SPECIFICATIONS.
 CLICK HERE

3RD ANGLE

EMERSON

ROSEMOUNT 2051L LIQUID LEVEL
 TYPE I DRAWING

DR.	JLA	2/25/13	DRAWING NO.	02051-7712
APP'D	PF	2/28/13		

CAD MAINTAINED. (PRO/EI)

SHEET 2 OF 3

TABLE 1

CLASS	PIPE SIZE	FLANGE THICKNESS (A)	NO. OF BOLTS	BOLT CIRCLE DIAMETER (B)	OUTSIDE DIAMETER (C)	BOLT HOLE DIAMETER	EXTENSION DIAMETER (D)	O.D. GASKET SURFACE E
ASME B16.5 (ANSI) 150	2 (51)	0.69 (18)	4	4.75 (121)	6.0 (152)	0.75 (19)	NA	3.6 (92)
	3 (76)	0.88 (22)	4	6.0 (152)	7.5 (191)	0.75 (19)	2.58 (66)	5.0 (127)
	4 (102)	0.88 (22)	8	7.5 (191)	9.0 (229)	0.75 (19)	3.5 (89)	6.2 (158)
ASME B16.5 (ANSI) 300	2 (51)	0.82 (21)	8	5.0 (127)	6.5 (165)	0.75 (19)	NA	3.6 (92)
	3 (76)	1.06 (27)	8	6.62 (168)	8.25 (210)	0.88 (22)	2.58 (66)	5.0 (127)
	4 (102)	1.19 (30)	8	7.88 (200)	10.0 (254)	0.88 (22)	3.5 (89)	6.2 (158)
EN 1092-1 PN 10-40	DN 50	20 mm	4	125 mm	165 mm	18 mm	NA	4.0 (102)
EN 1092-1 PN 25/40	DN 80	24 mm	8	160 mm	200 mm	18 mm	66 mm	5.4 (138)
	DN 100	24 mm	8	190 mm	235 mm	22 mm	89 mm	6.2 (158)
EN 1092-1 PN 10/16	DN 100	20 mm	8	180 mm	220 mm	18 mm	89 mm	6.2 (158)

MOUNTING FLANGE

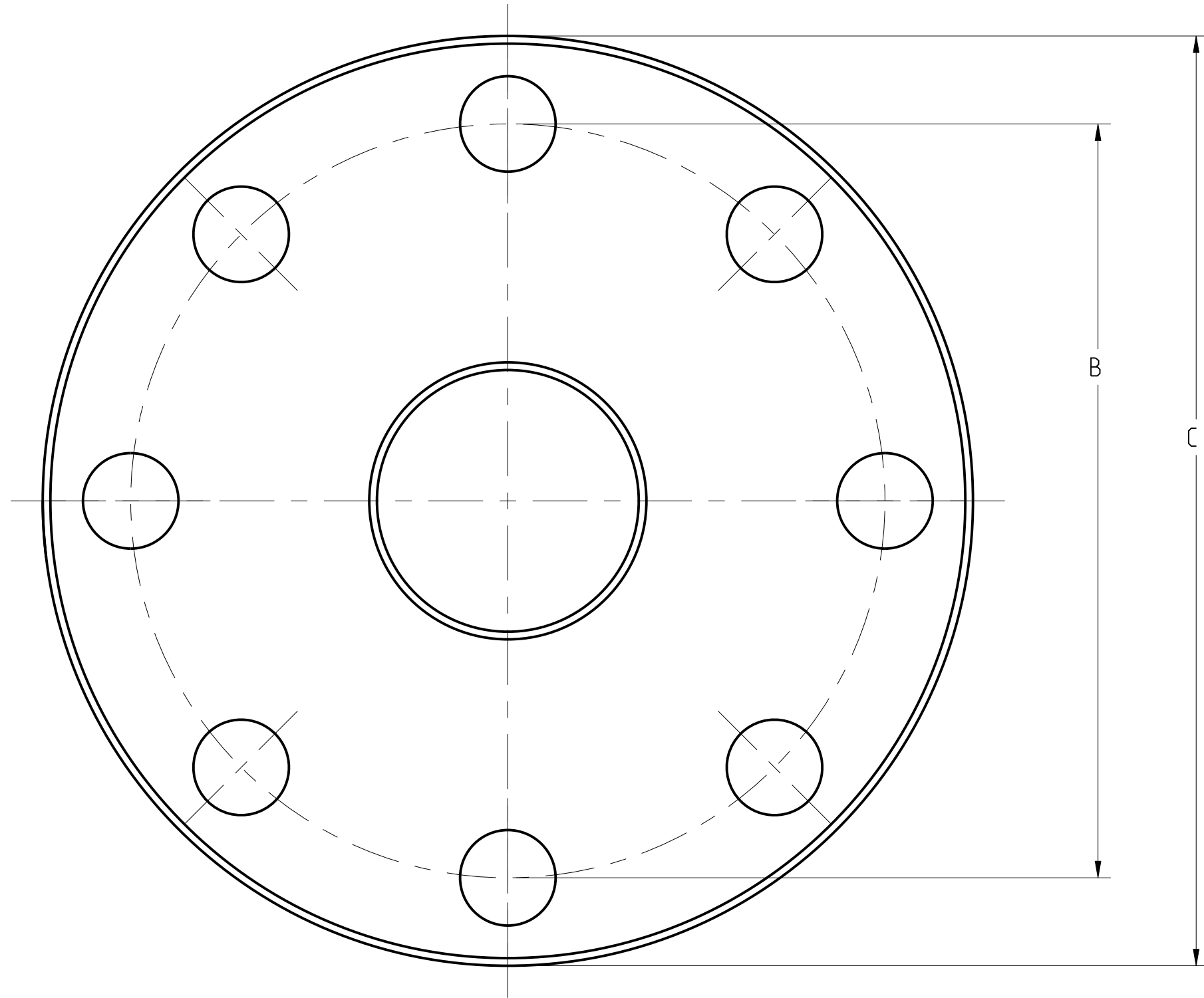


TABLE 2

CLASS (1)	PIPE SIZE	PROCESS SIDE F	LOWER HOUSING G 1/4 in. NPT	LOWER HOUSING G 1/2 in. NPT
ASME B16.5 (ANSI) 150	2 (51)	2.12 (54)	0.97 (25)	1.31 (33)
	3 (76)	3.6 (91)	0.97 (25)	1.31 (33)
	4 (102)	3.6 (91)	0.97 (25)	1.31 (33)
ASME B16.5 (ANSI) 300	2 (51)	2.12 (54)	0.97 (25)	1.31 (33)
	3 (76)	3.6 (91)	0.97 (25)	1.31 (33)
	4 (102)	3.6 (91)	0.97 (25)	1.31 (33)
EN 1092-1 PN 10-40	DN 50	2.4 (61)	0.97 (25)	1.31 (33)
EN 1092-1 PN 25-40	DN 80	3.6 (91)	0.97 (25)	1.31 (33)
	DN 100	3.6 (91)	0.97 (25)	1.31 (33)
EN 1092-1 PN 10/16	DN 100	3.6 (91)	0.97 (25)	1.31 (33)

©2015 ROSEMOUNT, INC.
 ROSEMOUNT INCORPORATES
 THIS DRAWING AS PART OF
 THE PRODUCT OFFERED IN
 ACCORDANCE WITH
 ROSEMOUNT ENGINEERING
 SPECIFICATIONS.
 UNIT NOTES IN INCHES (mm).
 REFERENCE ROSEMOUNT
 PRODUCT SPECIFICATIONS FOR
 PRODUCT SPECIFICATIONS.
 CLICK HERE

		3RD ANGLE		SIZE	SCALE
		D		D	NTS
ROSEMOUNT 2051L LIQUID LEVEL TYPE I DRAWING					
DR.	JLA	2/25/13	DRAWING NO.		
APP'D	PF	2/28/13	02051-7712		
CAD MAINTAINED: (PRO/EI)					SHEET 3 OF 3