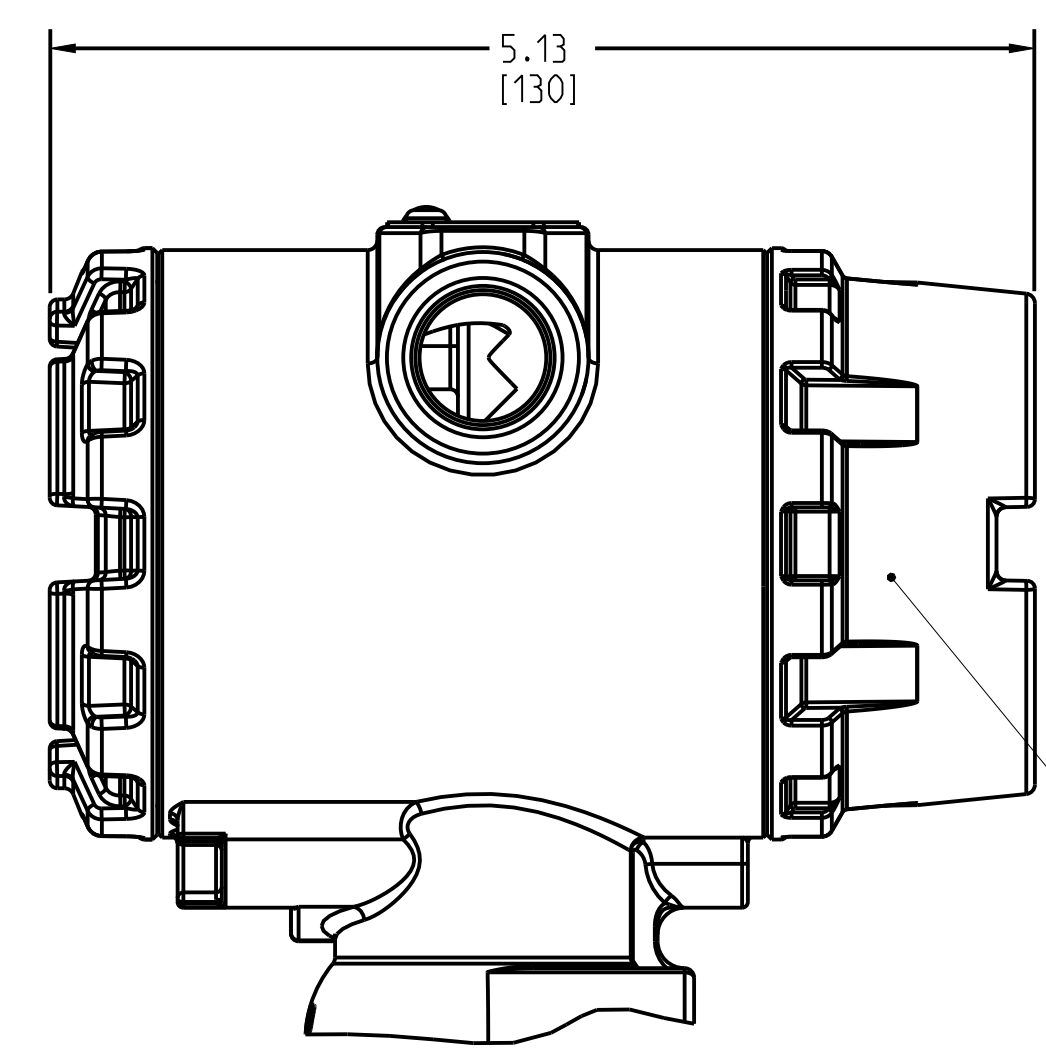


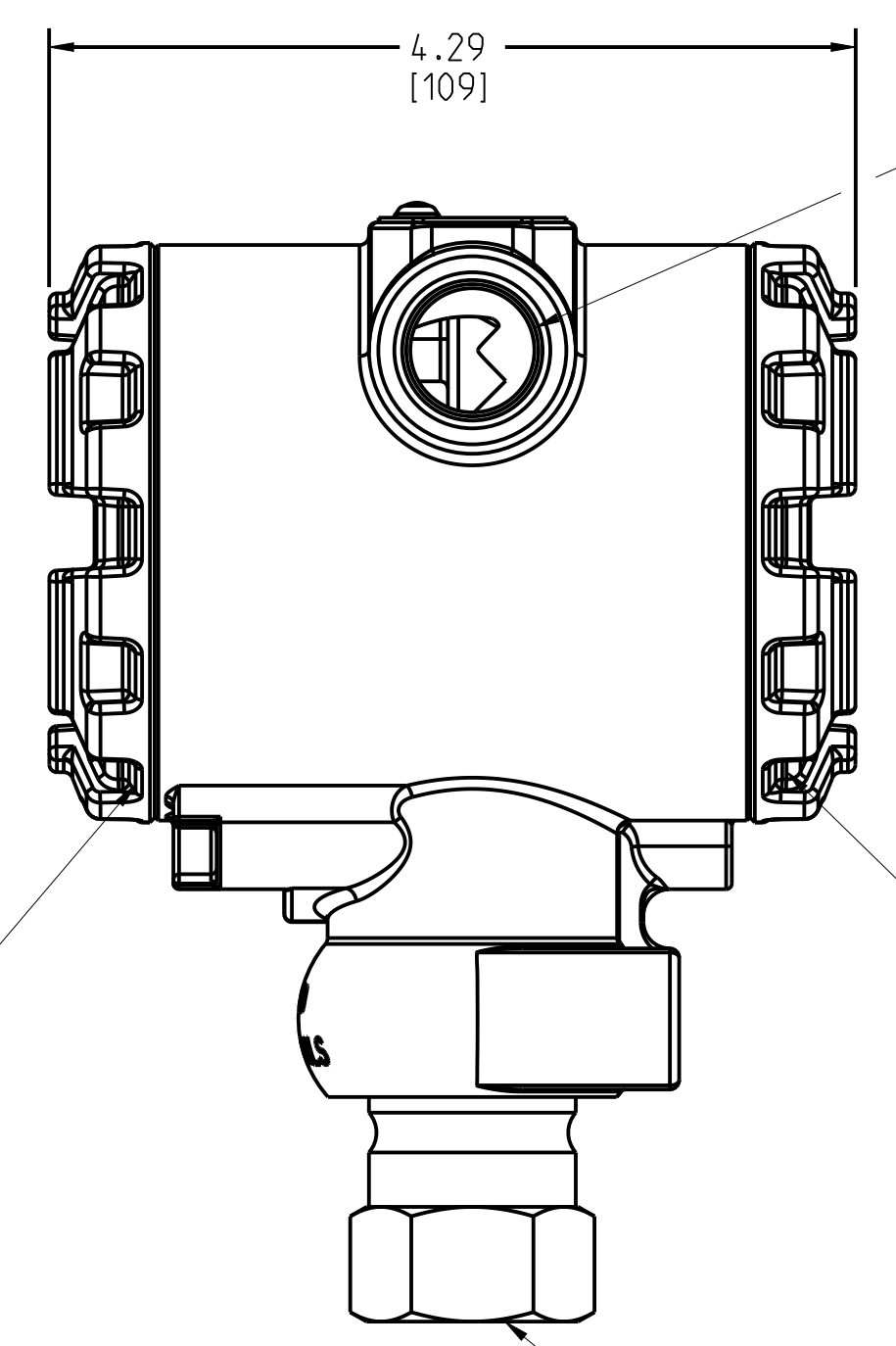
# ROSEMOUNT 2088 ABSOLUTE AND GAGE PRESSURE TRANSMITTER WITH PROCESS CONNECTION

REVISION TABLE			
REVISION	ECO NO.	APP'D	DATE
AG	RTC1082922	B.HASCHKE	4/23/24
DESCRIPTION			
ADDED PAGE 3 WITH LOW POWER OUTPUT PRESSURE RANGE 5 OPTION			

SHOWN WITH OPTIONAL DIGITAL DISPLAY



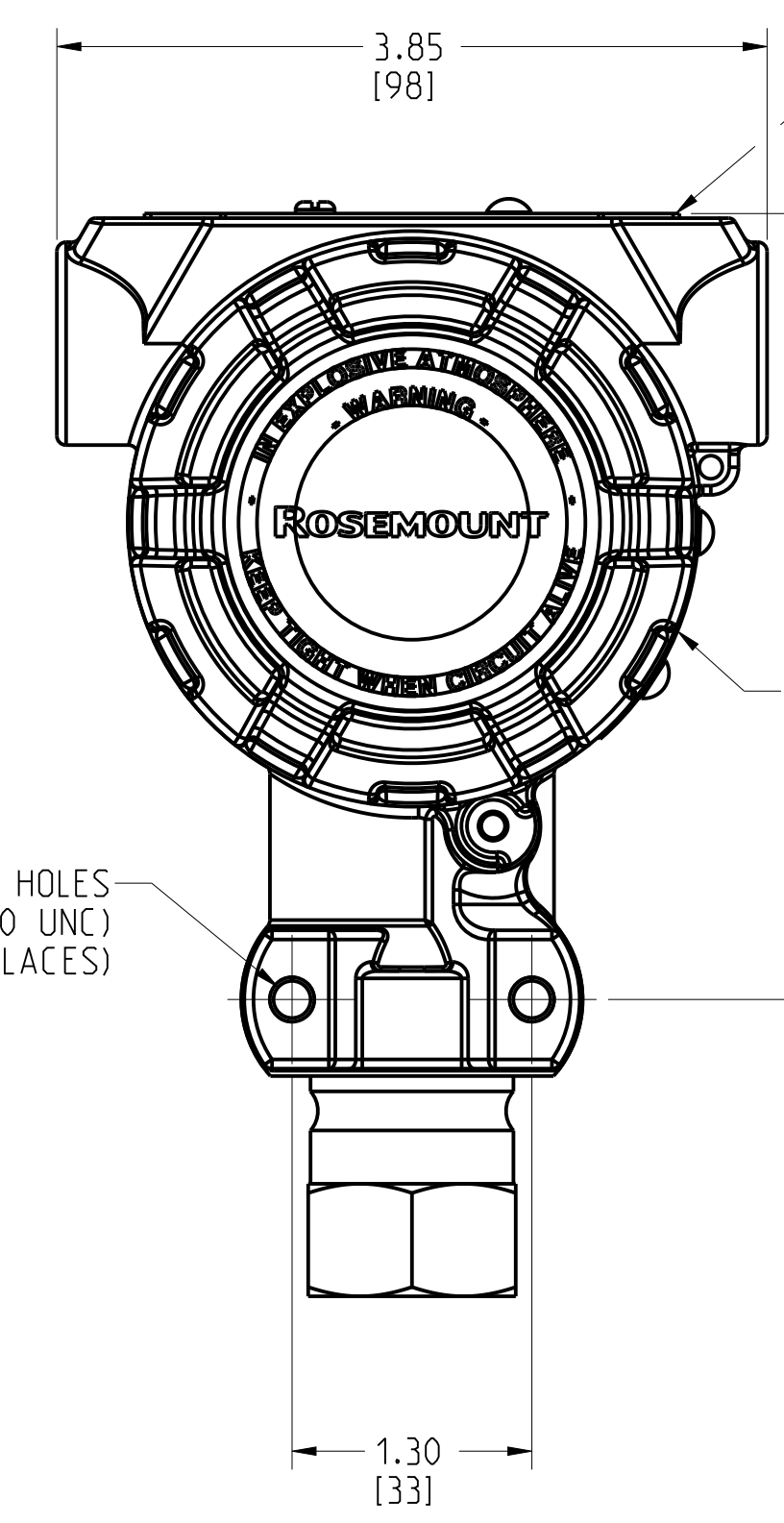
DIGITAL DISPLAY COVER



CONDUIT CONNECTION (2 PLACES)

FIELD TERMINALS (THIS SIDE)

TRANSMITTER ELECTRONICS (THIS SIDE)



NAMEPLATE

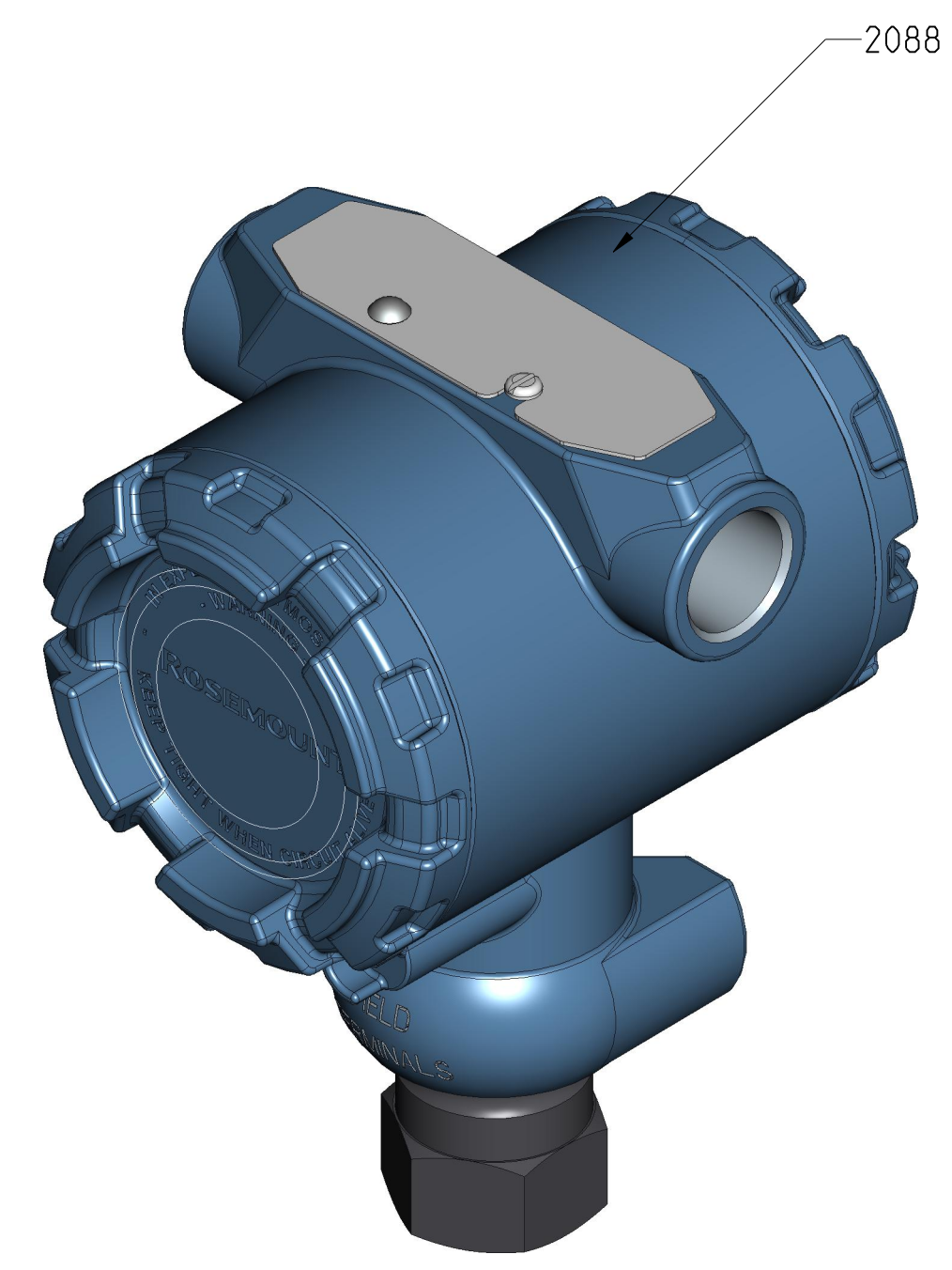
CERTIFICATION LABEL (LOCATED ON SIDE)

4.26 [108]

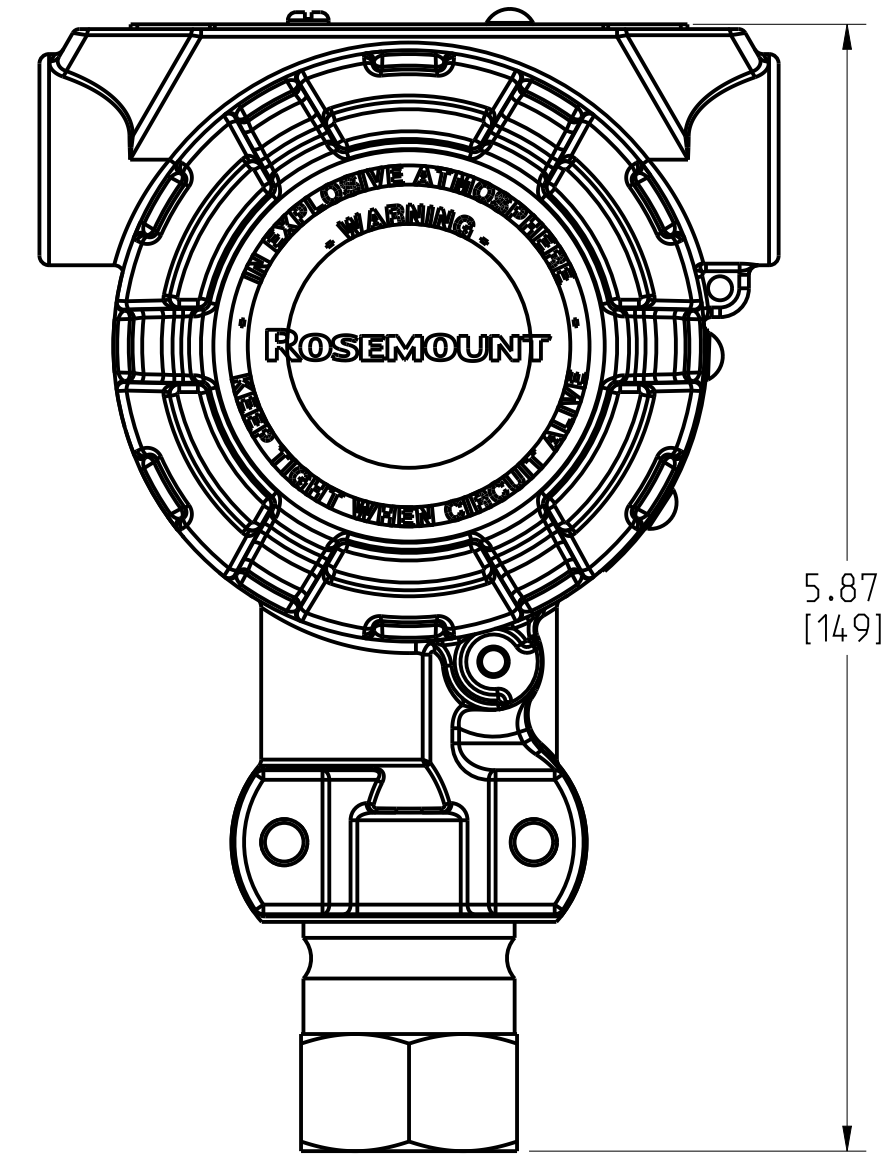
BRACKET MOUNTING HOLES (1/4-20 UNC) (2 PLACES)

1.30 [33]

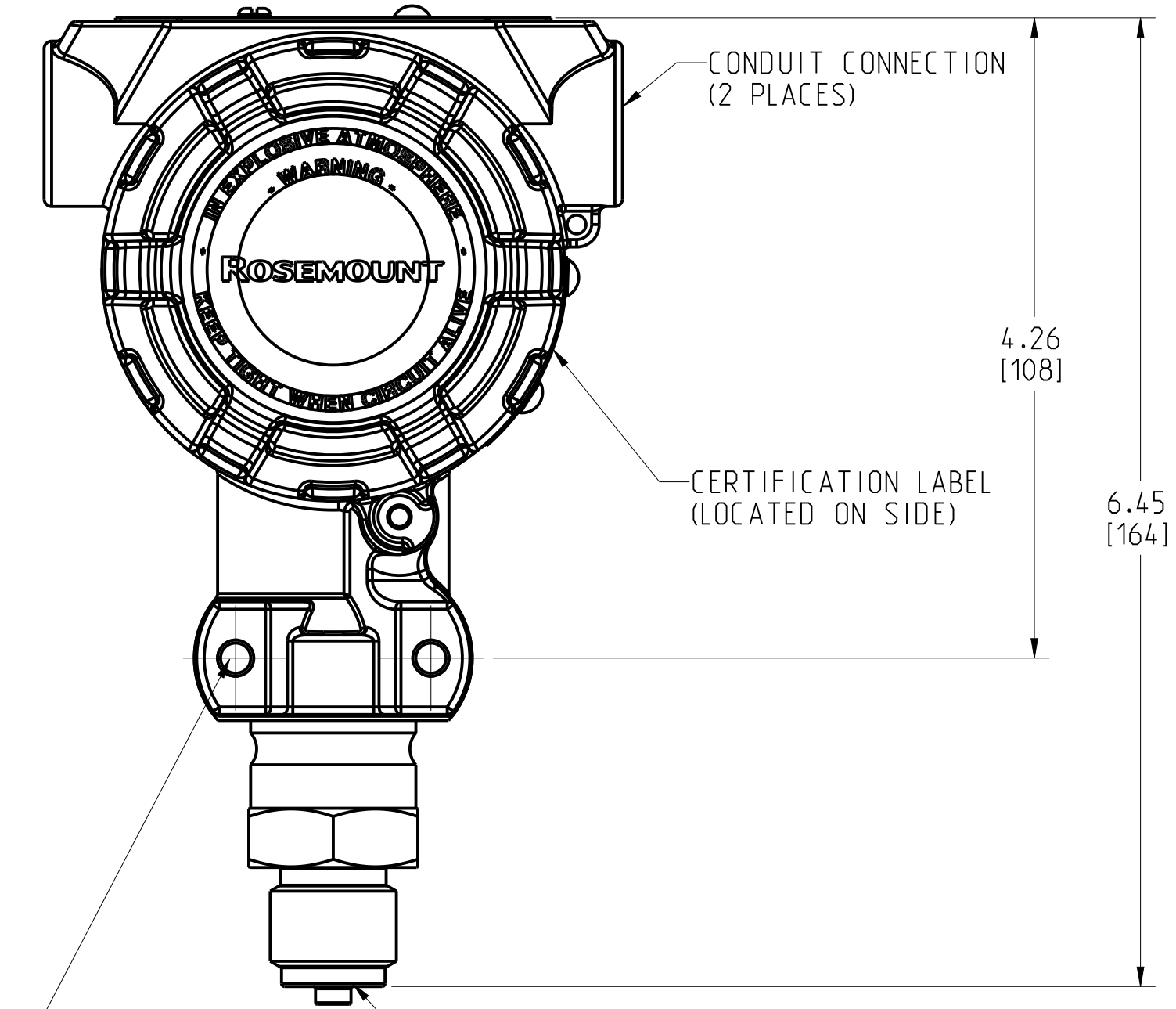
1/2-14 NPT FEMALE OR RC 1/2 FEMALE (PT 1/2 FEMALE)



2088



5.87 [149]



CONDUIT CONNECTION (2 PLACES)

4.26 [108]

CERTIFICATION LABEL (LOCATED ON SIDE)

6.45 [164]

BRACKET MOUNTING HOLES (1/4-20 UNC) (2 PLACES)

DIN 16288 G 1/2 MALE or M20 3 1.5 MALE

©2015 ROSEMOUNT INC. ROSEMOUNT INC. ACCEPTS THIS DRAWING AS CORRECT IN ACCORDANCE WITH ROSEMOUNT ENGINEERING SPECIFICATIONS. UNIT NOTES IN INCHES (mm). REFERENCE ROSEMOUNT PRODUCT SPECIFICATIONS FOR PRODUCT SPECIFICATIONS. CLICK HERE

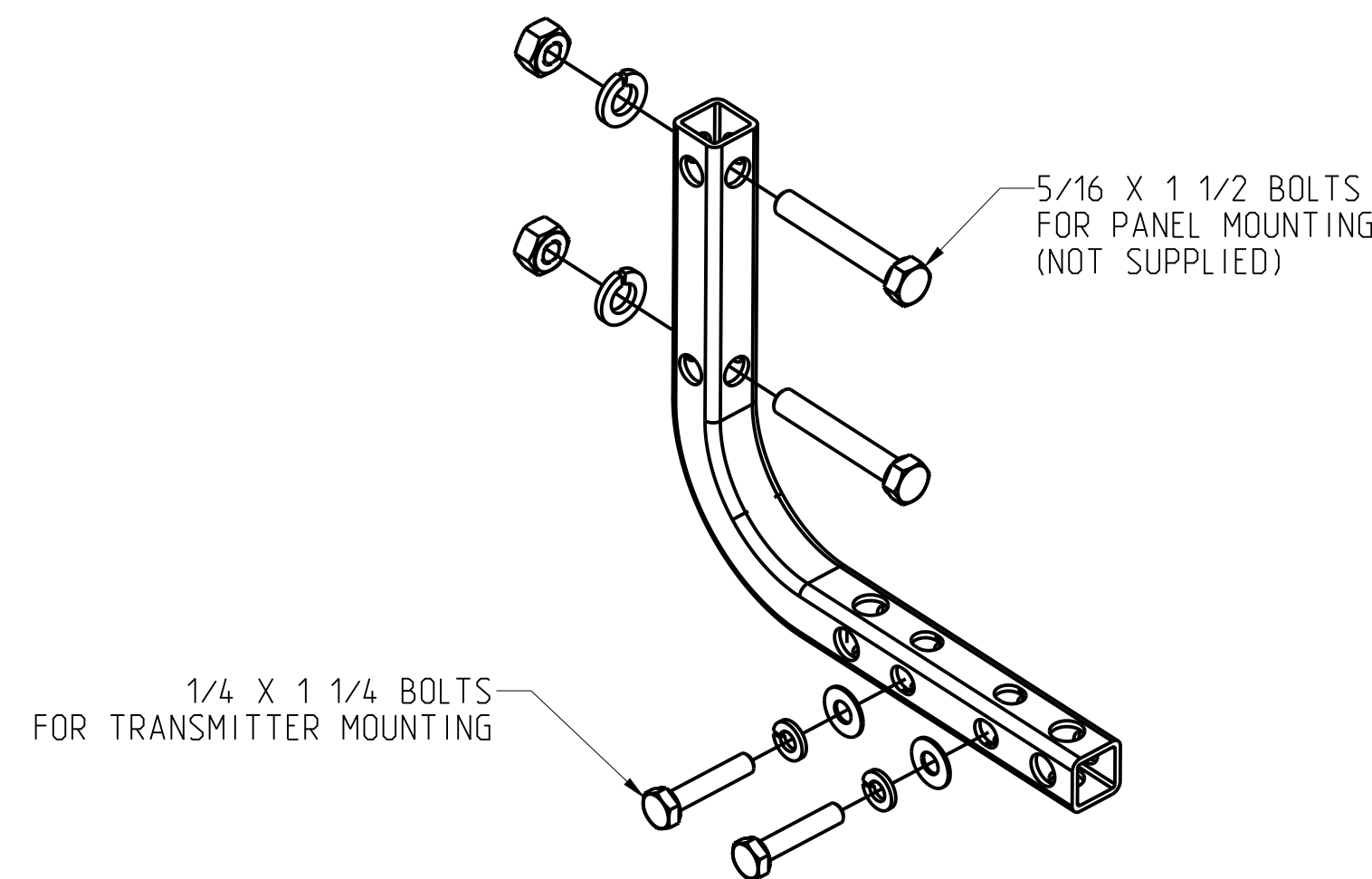
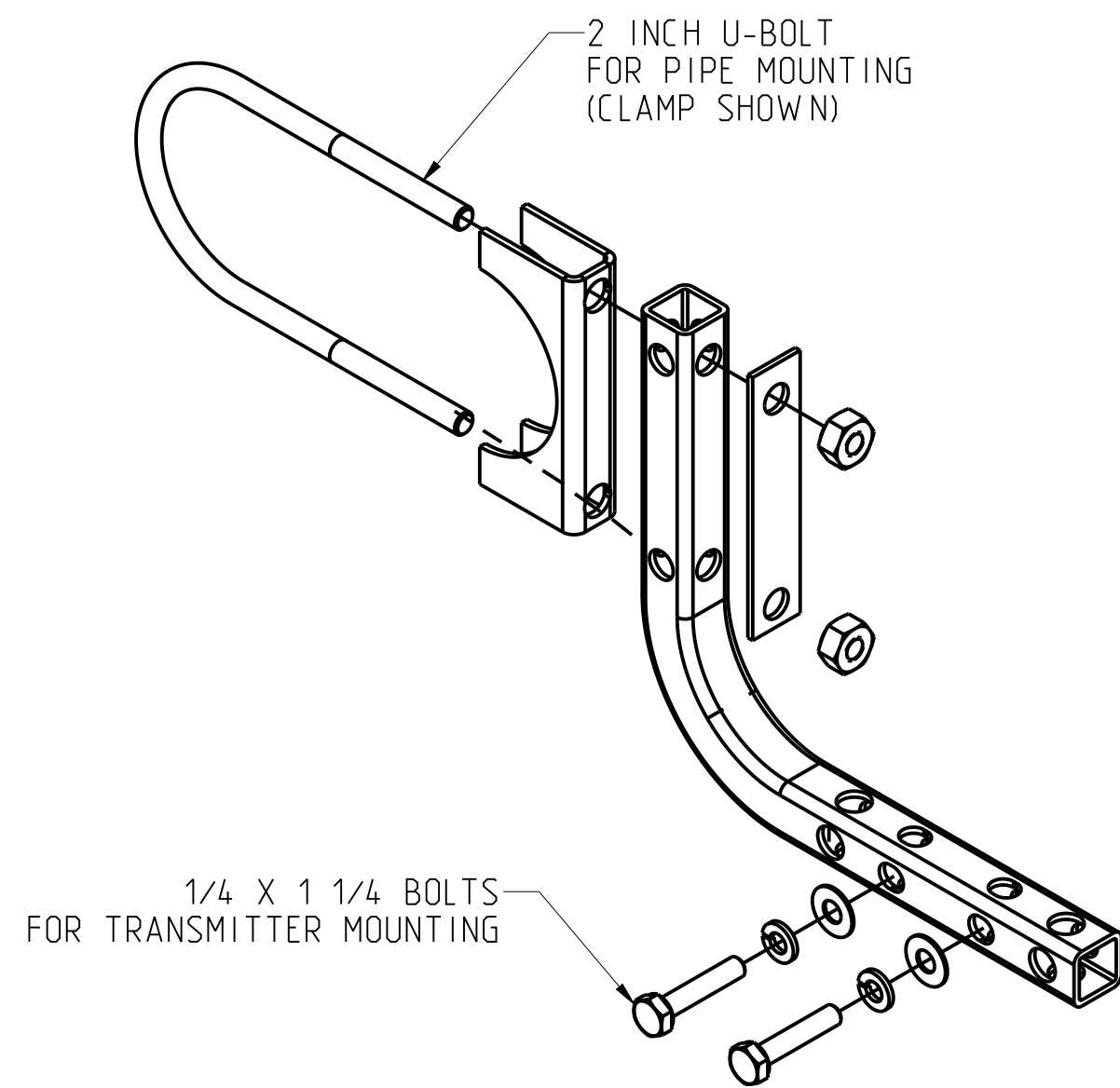
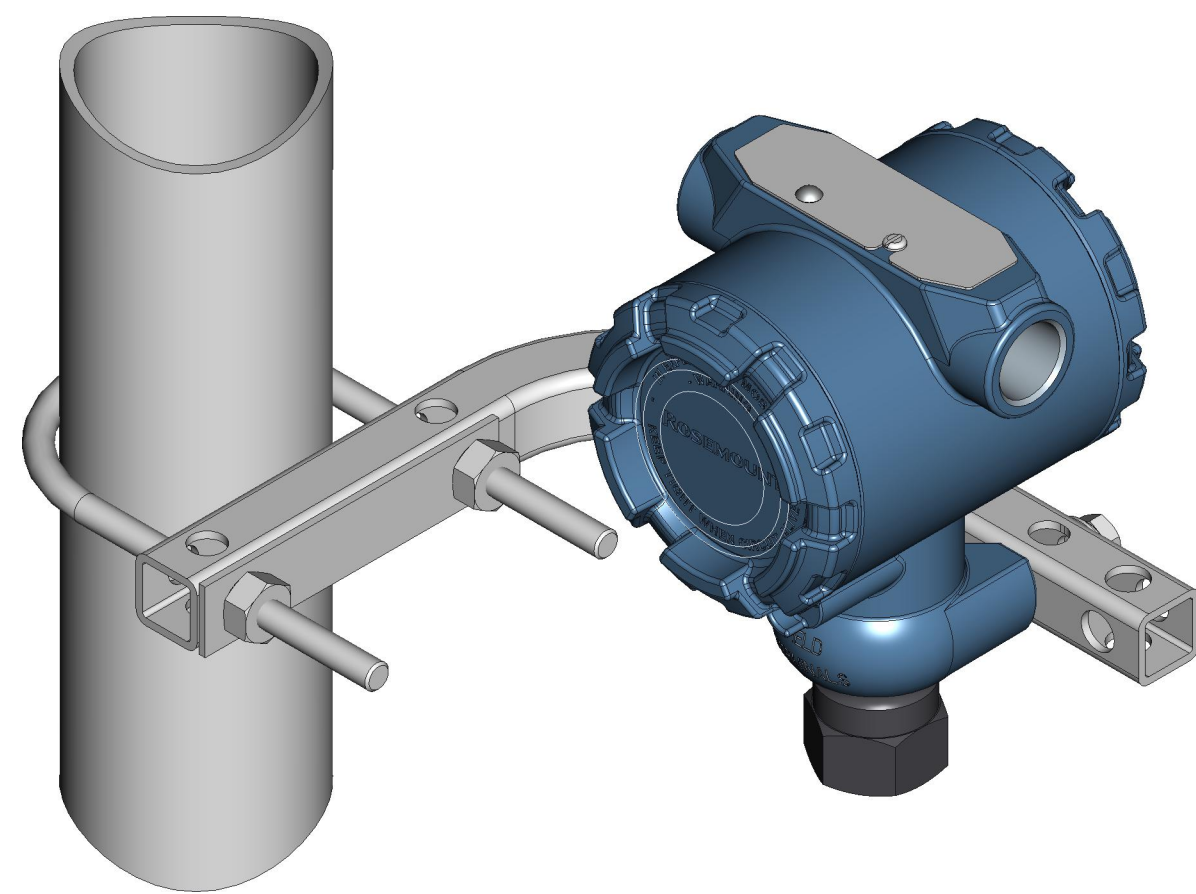
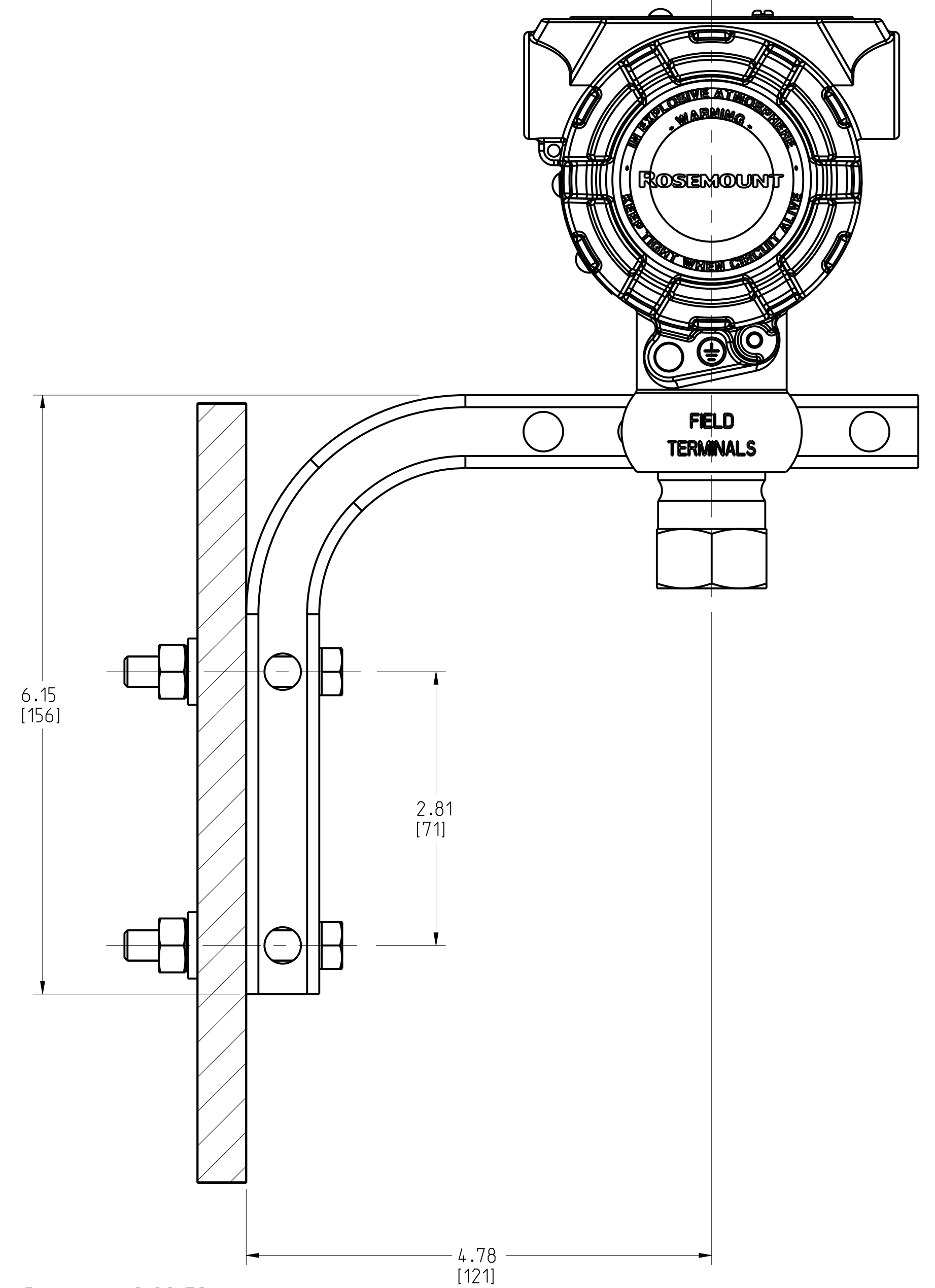
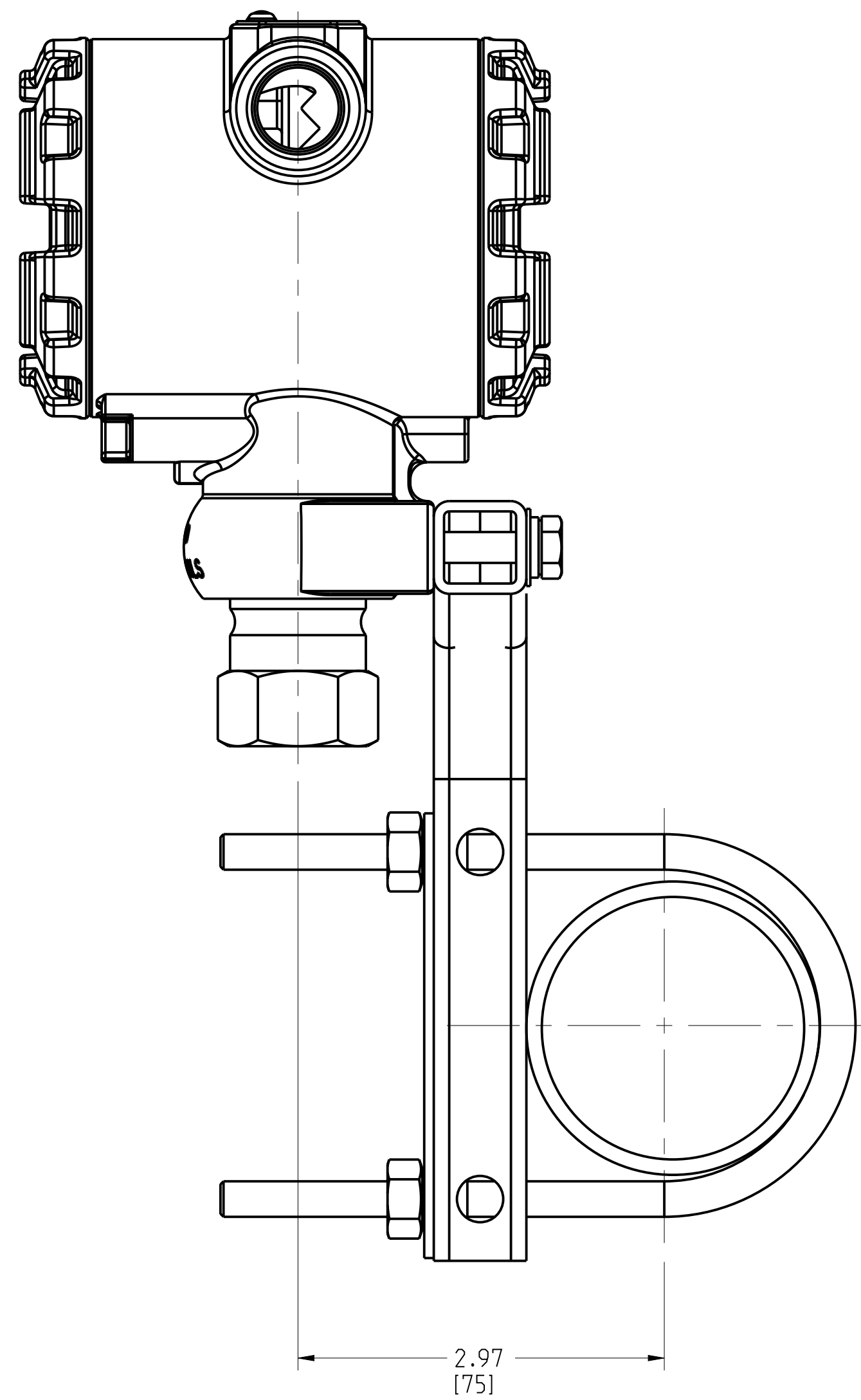
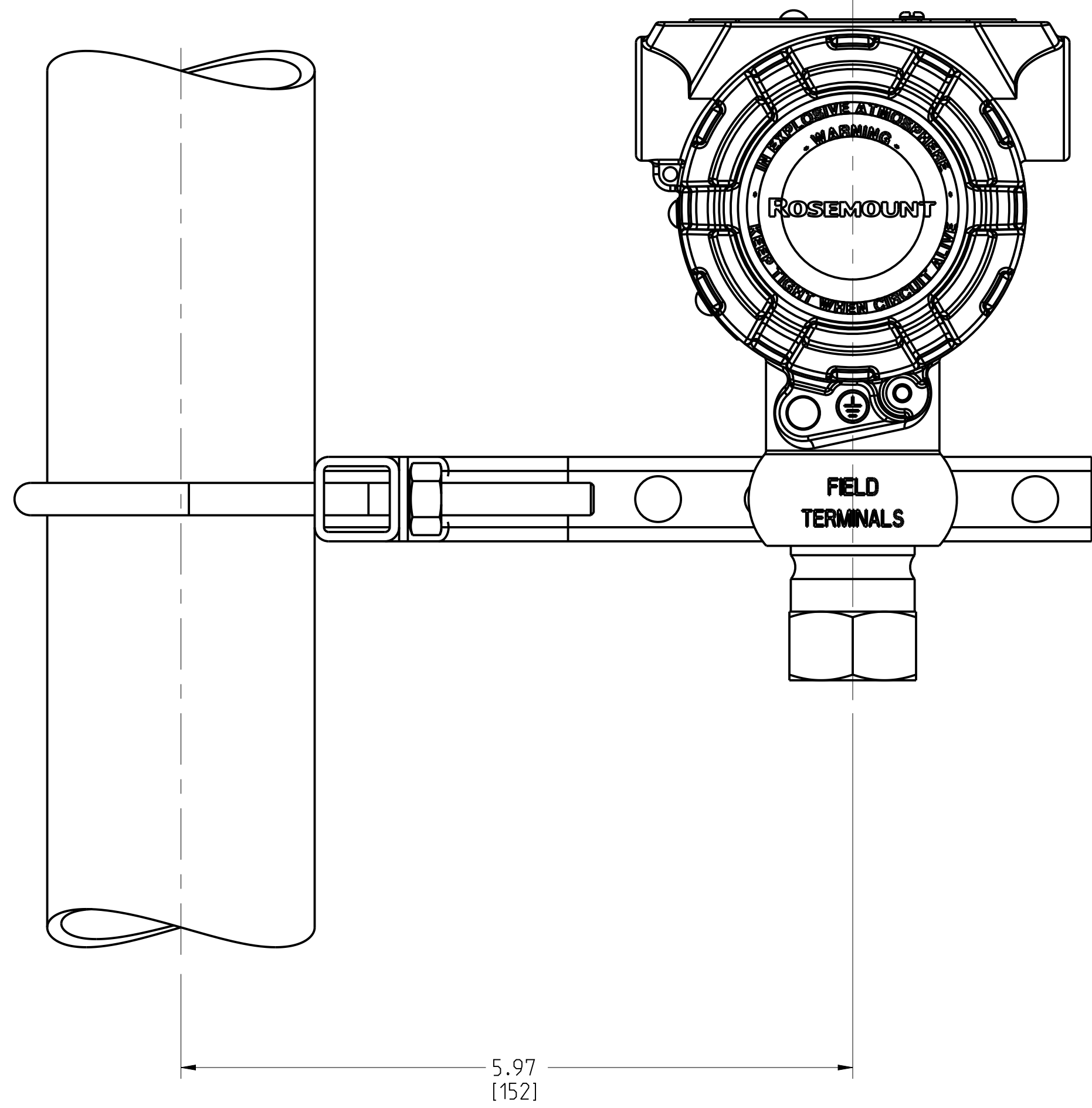
		3RD ANGLE		SIZE D	SCALE NTS
<b>TITLE</b> ROSEMOUNT 2088 TYPE I DRAWING					
DR.	J. ARMSTRONG	6/17/17	DRAWING NO.		02088-1035
APP'D	N. MEIDL	6/17/17			
CAD MAINTAINED: (PRO/E)					SHEET 1 OF 3



ROSEMOUNT 2088 ABSOLUTE AND GAGE PRESSURE TRANSMITTER  
MOUNTING CONFIGURATIONS WITH OPTIONAL MOUNTING BRACKET

PIPE MOUNTING

PANEL MOUNTING



©2015 ROSEMOUNT INC. ROSEMOUNT INC. ACCEPTS RESPONSIBILITY FOR THE ACCURACY WITH WHICH ROSEMOUNT ENGINEERING SPECIFICATIONS, UNIT NOTES IN INCHES (mm), REFERENCE ROSEMOUNT PRODUCT LITERATURE FOR PRODUCT SPECIFICATIONS. CLICK HERE

EMERSON

TITLE  
ROSEMOUNT 2088  
TYPE I DRAWING

DR. N. MEIDL 10/26/10 DRAWING NO. 02088-1035

APP'D N. MEIDL 1/18/13

CAD MAINTAINED (PRO/E) SHEET 2 OF 3

3RD ANGLE

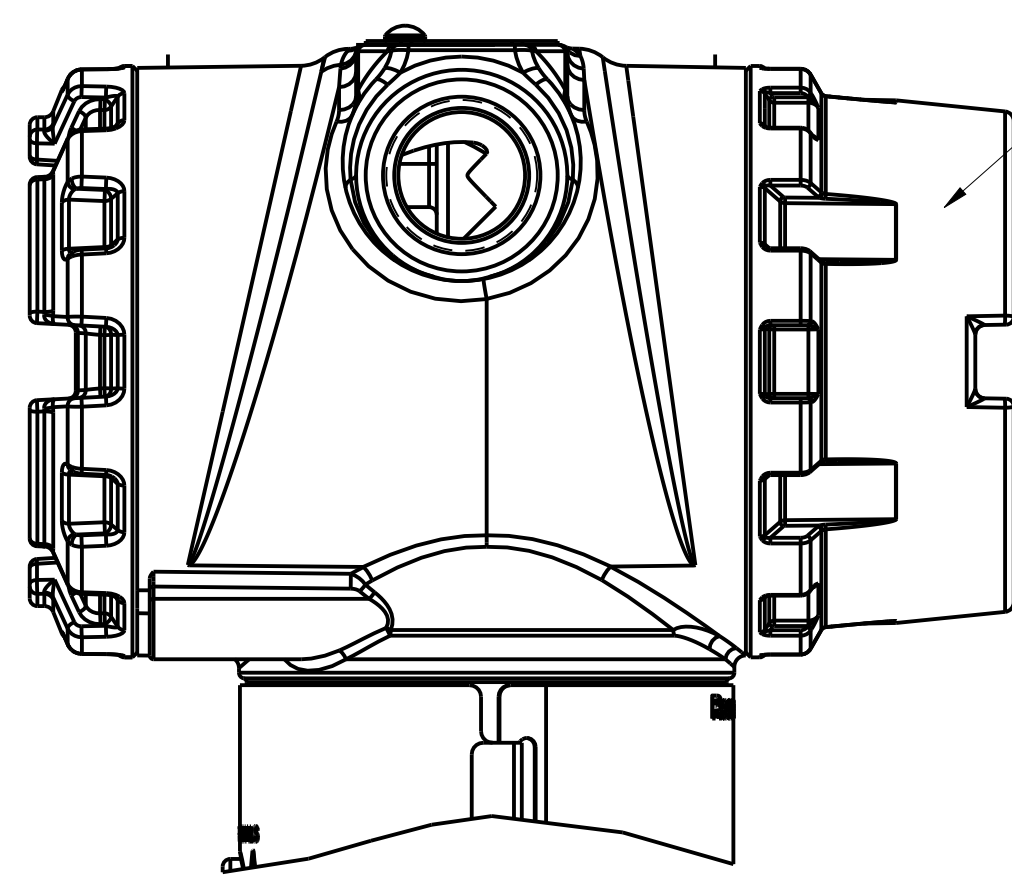
SIZE D

SCALE NTS



ROSEMOUNT 2088 ABSOLUTE AND GAGE PRESSURE TRANSMITTER  
WITH LOW POWER OUTPUT OR PRESSURE RANGE 5 OPTION

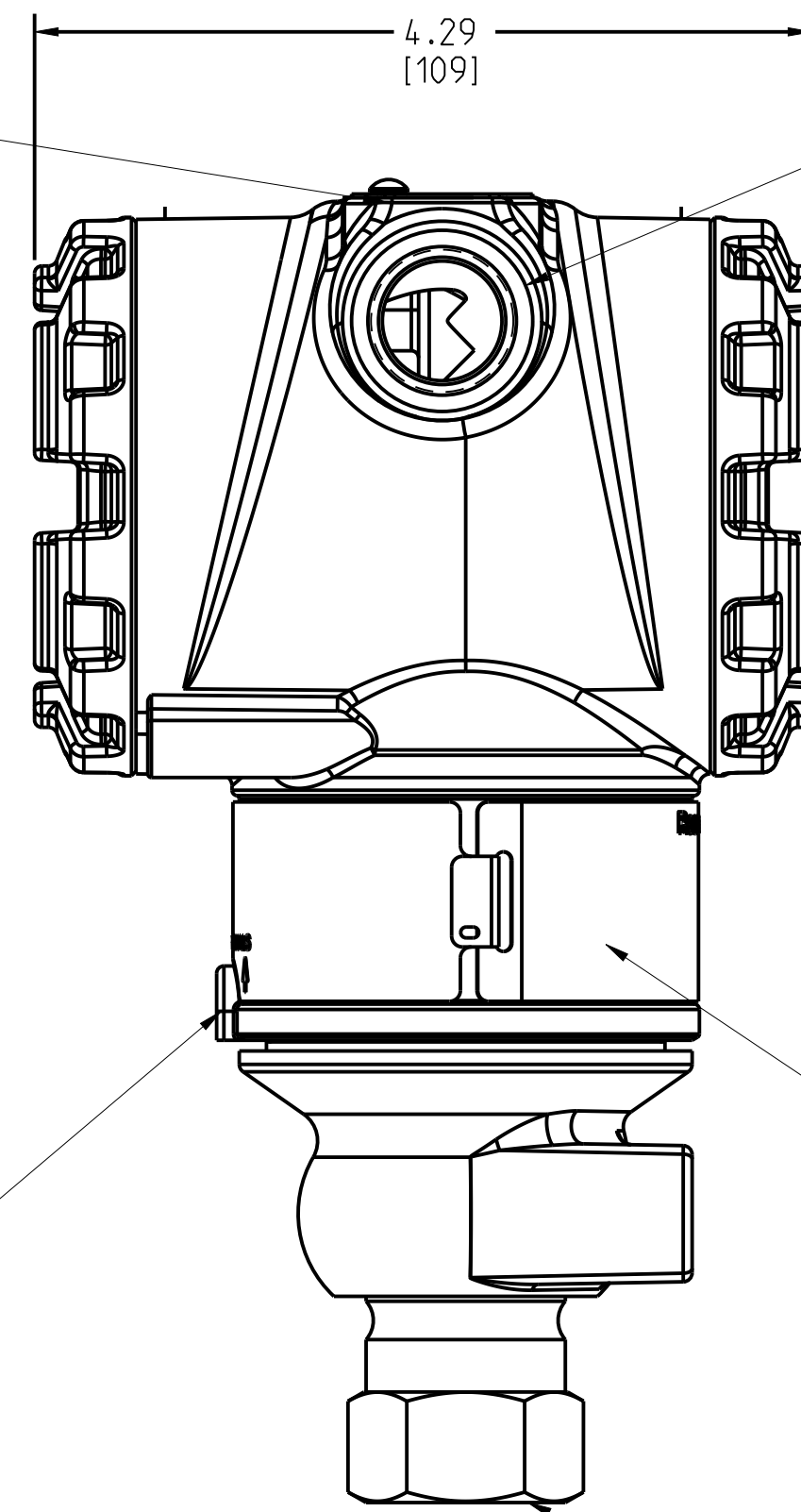
SHOWN WITH DIGITAL DISPLAY



DIGITAL DISPLAY COVER

OUTPUT CODE (N) OR PRESSURE RANGE 5 OPTION  
ALUMINUM HOUSING

CERTIFICATION LABEL



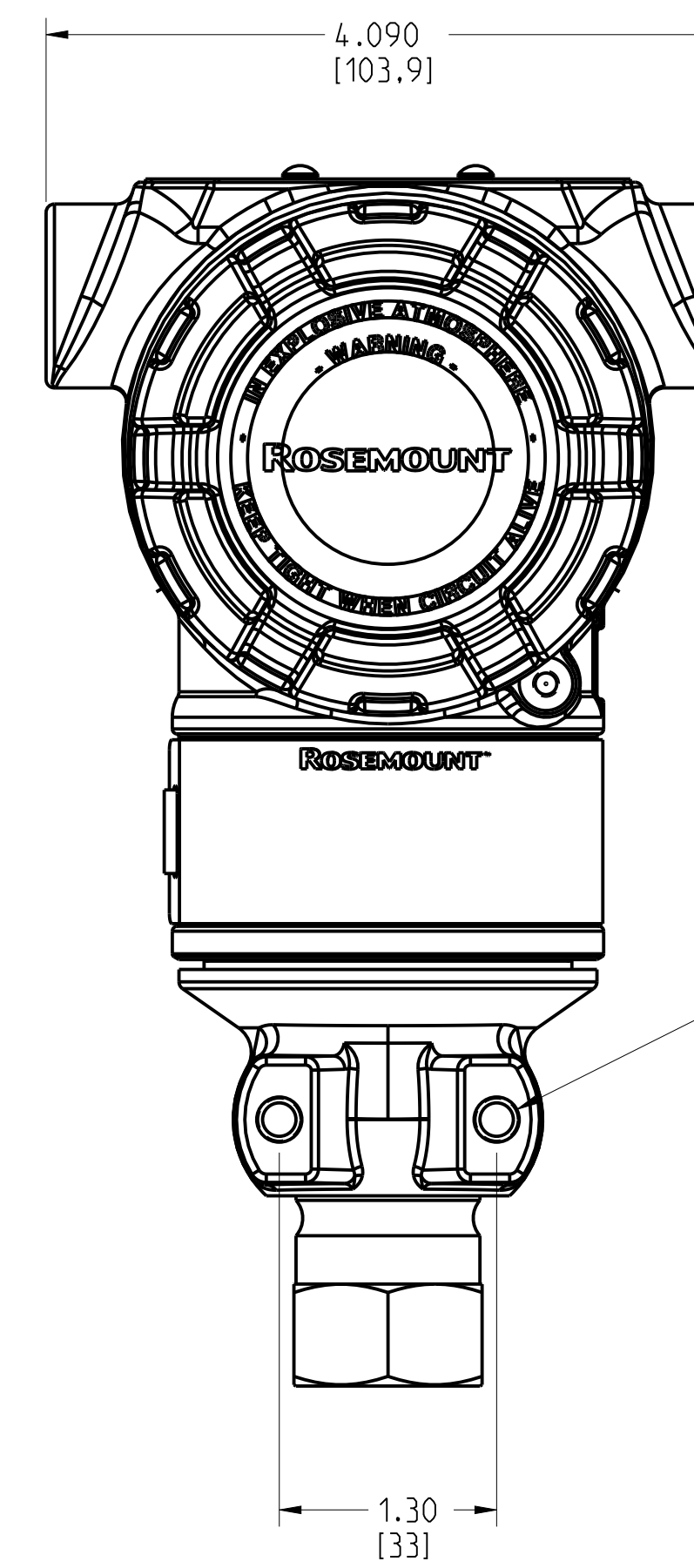
4.29  
[109]

CONDUIT CONNECTIONS  
(2 PLACES)

HOUSING ROTOTATION  
SET SCREW

NAMEPLATE

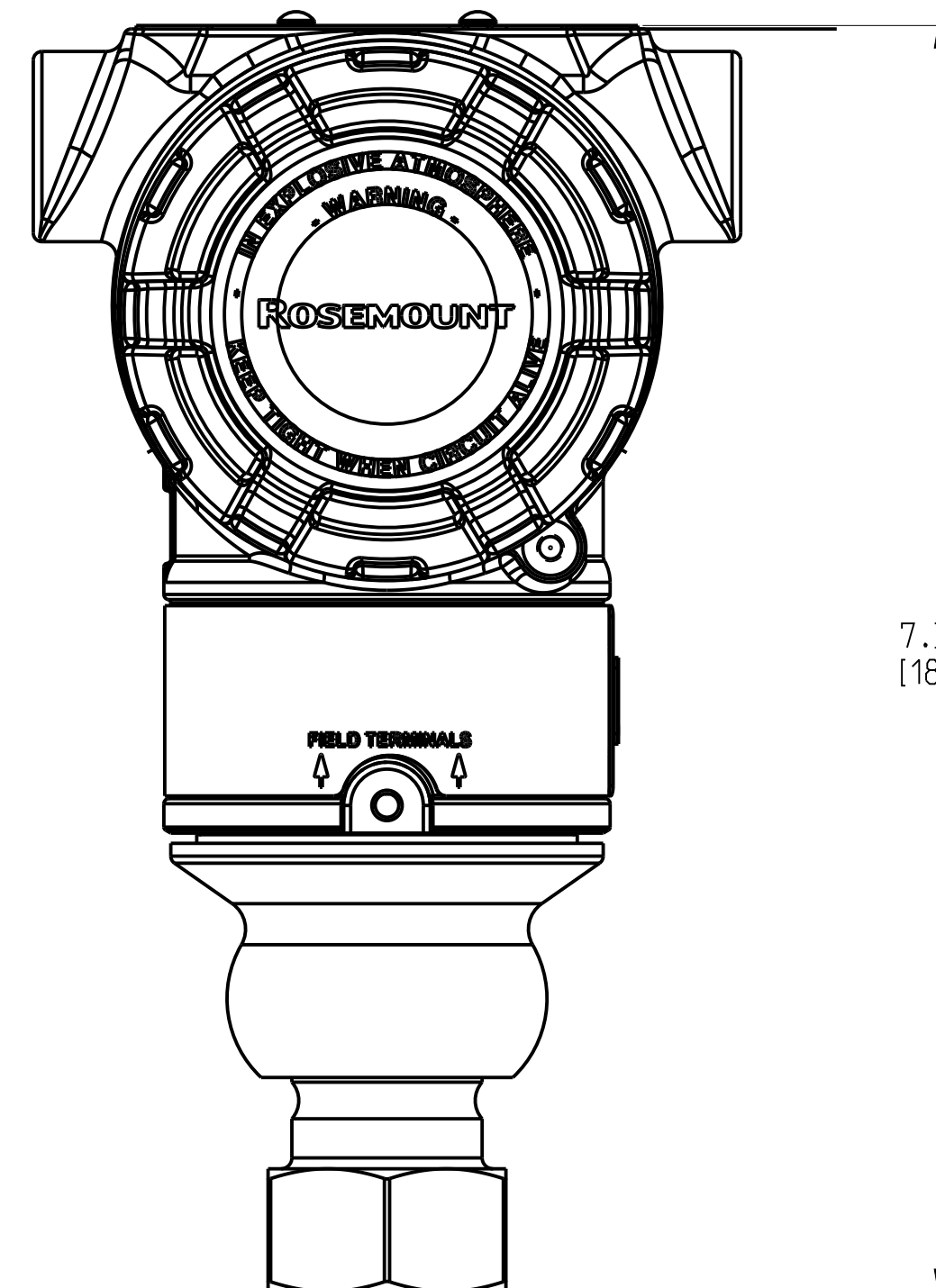
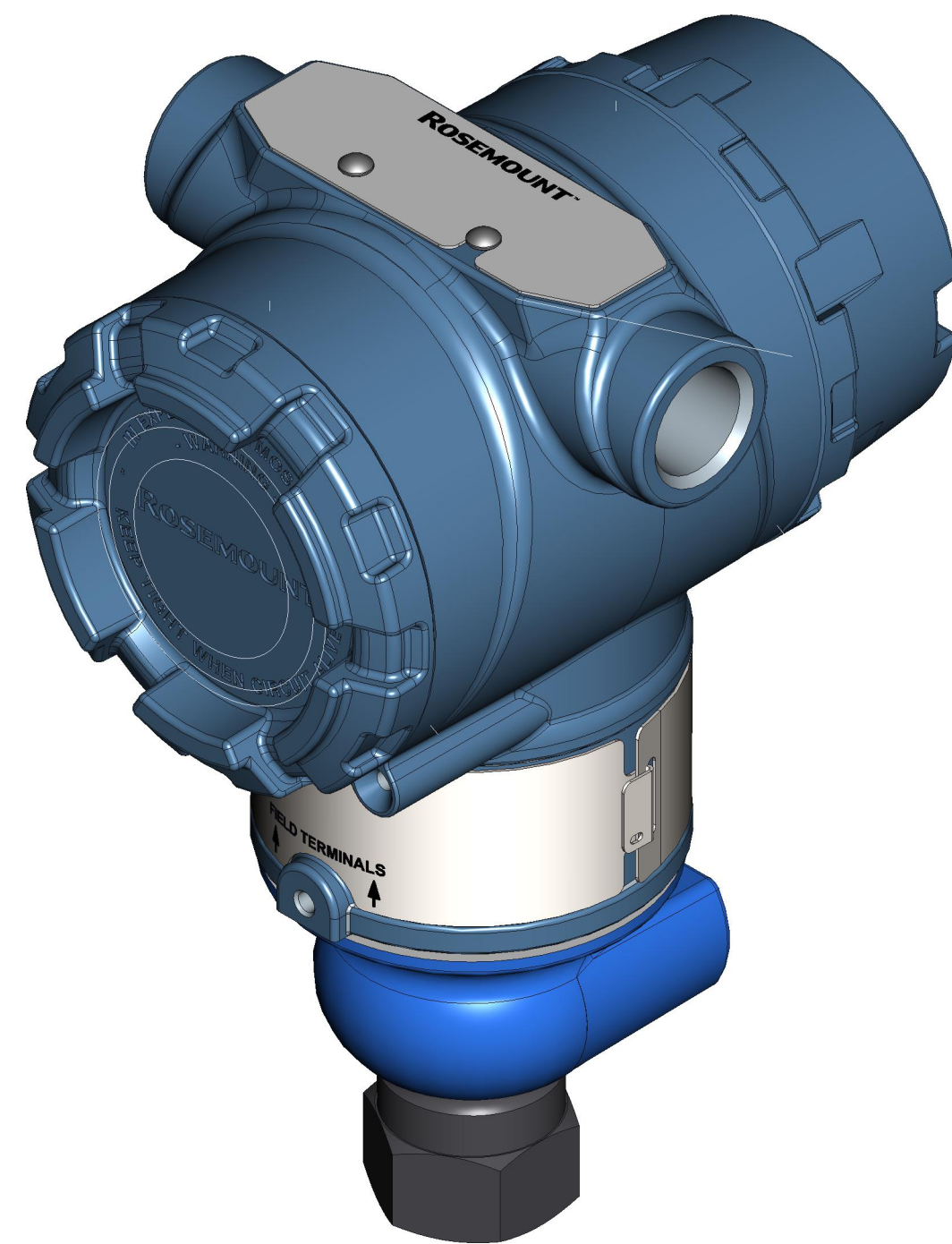
1/2-14 NPT FEMALE OR RC 1/2 FEMALE  
(see 2088 page 1 for exact note)



4.090  
[103.9]

BRACKET MOUNTING HOLES  
(1/4-20 UNC)  
(2 PLACES)

1.30  
[33]



7.32  
[186]

FIELD TERMINALS

©2015 ROSEMOUNT INC.  
ROSEMOUNT INC. ACCEPTS  
THIS DRAWING AS THE FINAL  
DESIGN AND SHALL BE RESPONSIBLE  
FOR THE ACCORDANCE WITH  
ROSEMOUNT ENGINEERING  
SPECIFICATIONS.  
UNIT NOTES IN INCHES (mm).  
REFERENCE ROSEMOUNT  
PRODUCT SPECIFICATIONS FOR  
PRODUCT SPECIFICATIONS.  
CLICK HERE

3RD ANGLE		SIZE D	SCALE NTS
<b>EMERSON</b>			
TITLE <b>ROSEMOUNT 2088 TYPE I DRAWING</b>			
DR.	N. MEIDL	10/26/10	DRAWING NO.
APP'D	N. MEIDL	1/18/13	<b>02088-1035</b>
CAD MAINTAINED (PRO/E)			SHEET 3 OF 3