

ROSEMOUNT 2120 VIBRATING FORK LIQUID LEVEL DETECTOR (THREADED)

REVISION TABLE			
REVISION	ECO NO.	APP'D	DATE
AA	RTC10B0315	O.ISAKSSON	2/10/23
DESCRIPTION			
UPDATE TO PRO E AND TABLES FOR FORK LENGTH AND TUBE DIMS.			

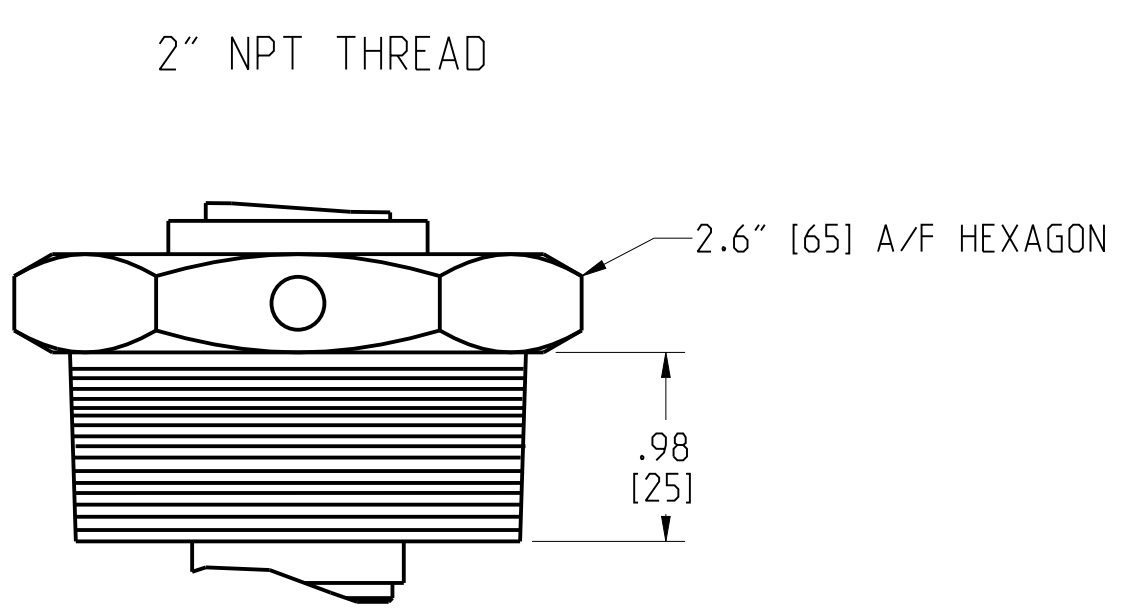
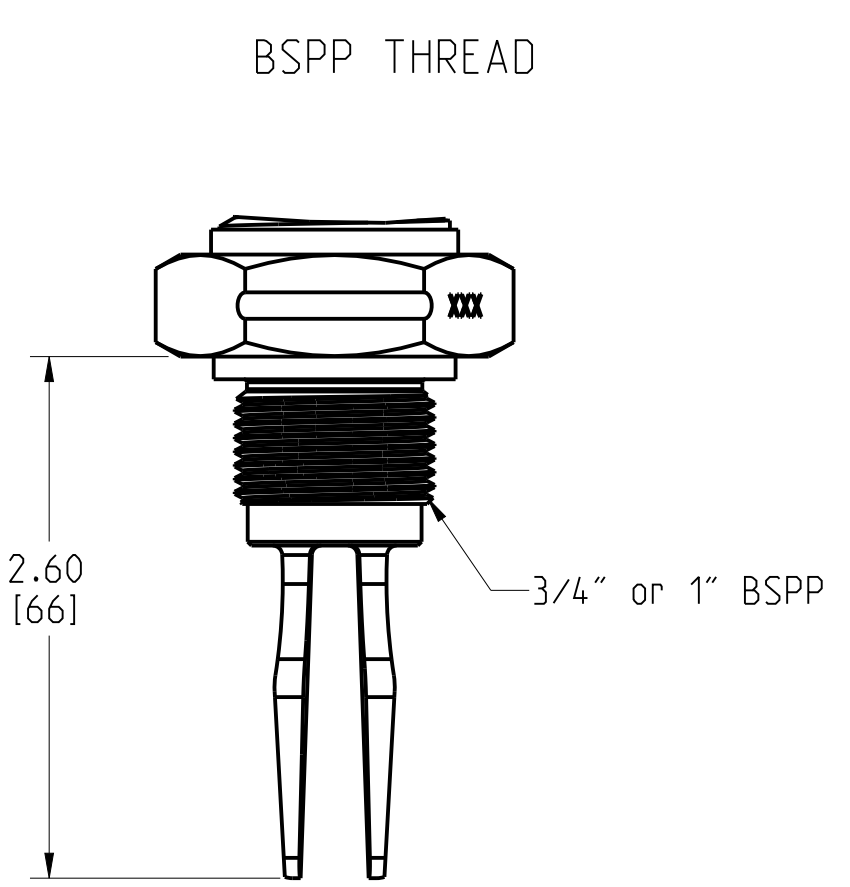
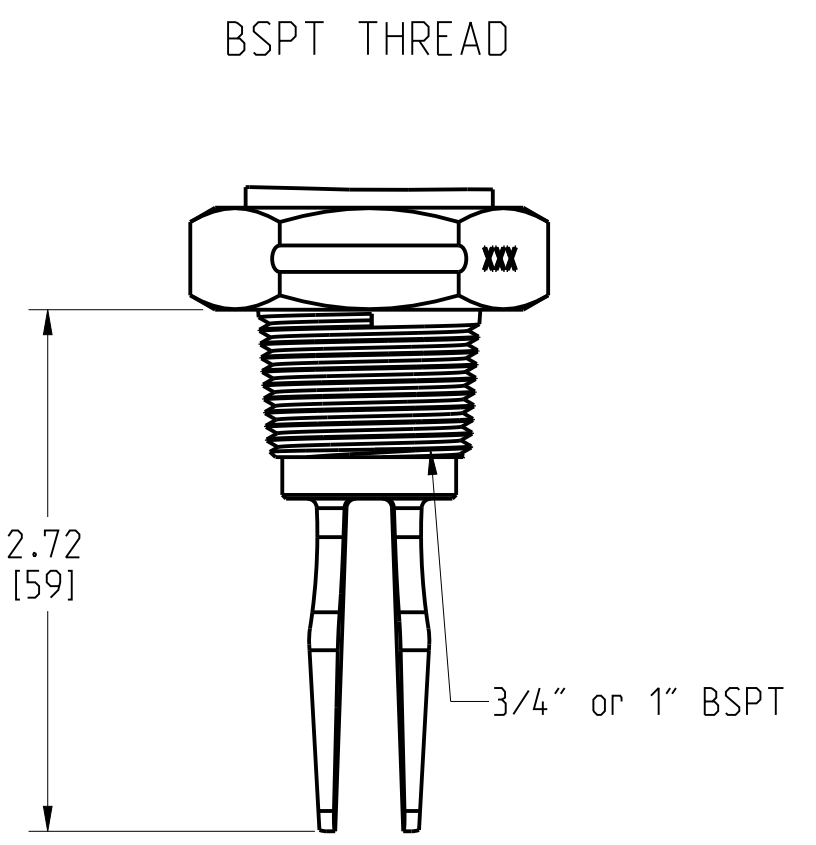
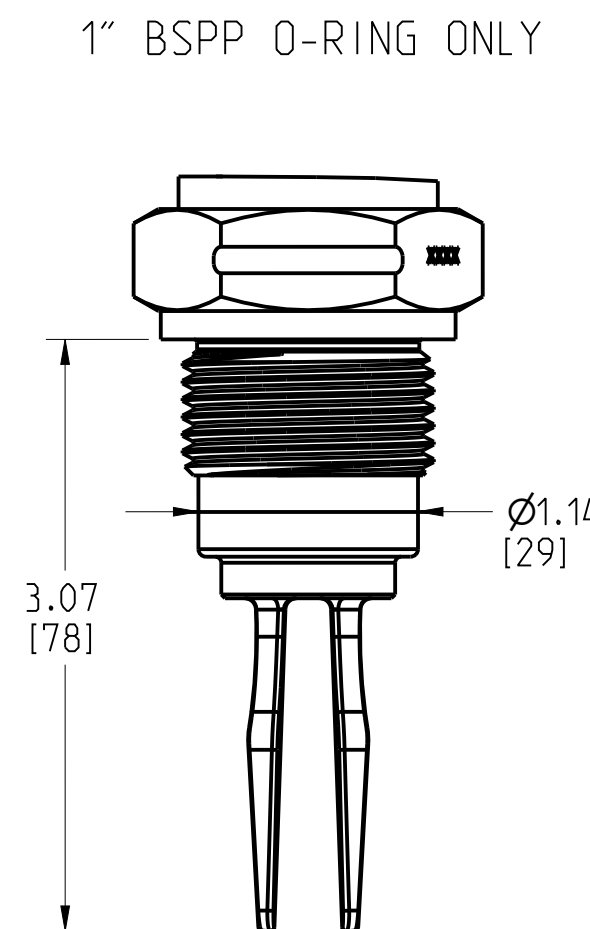
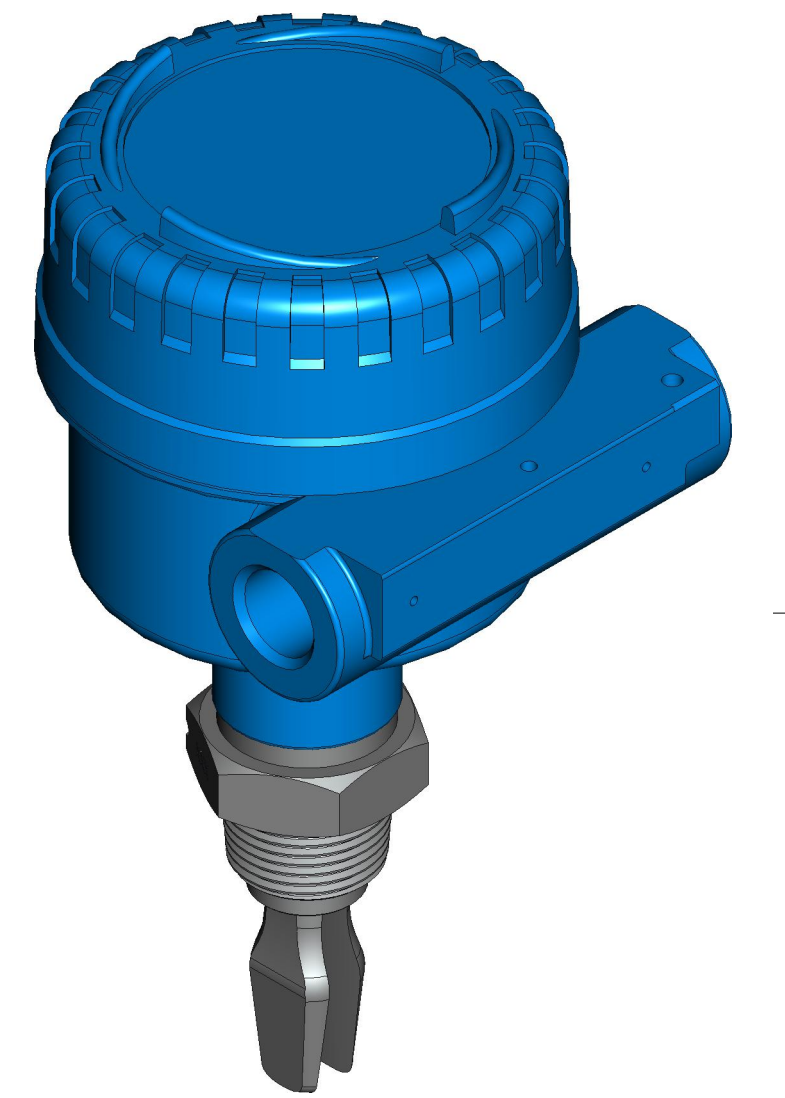
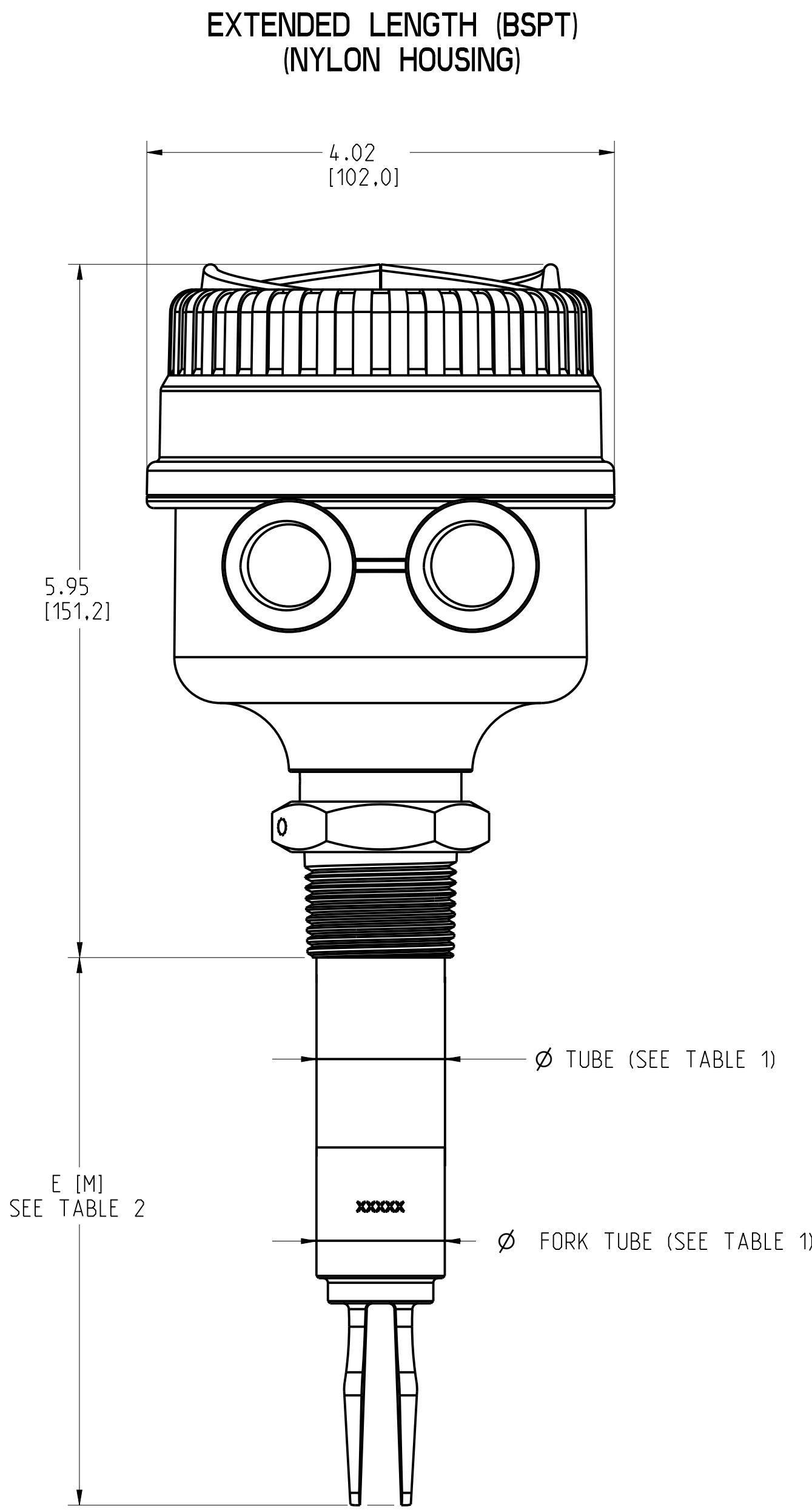
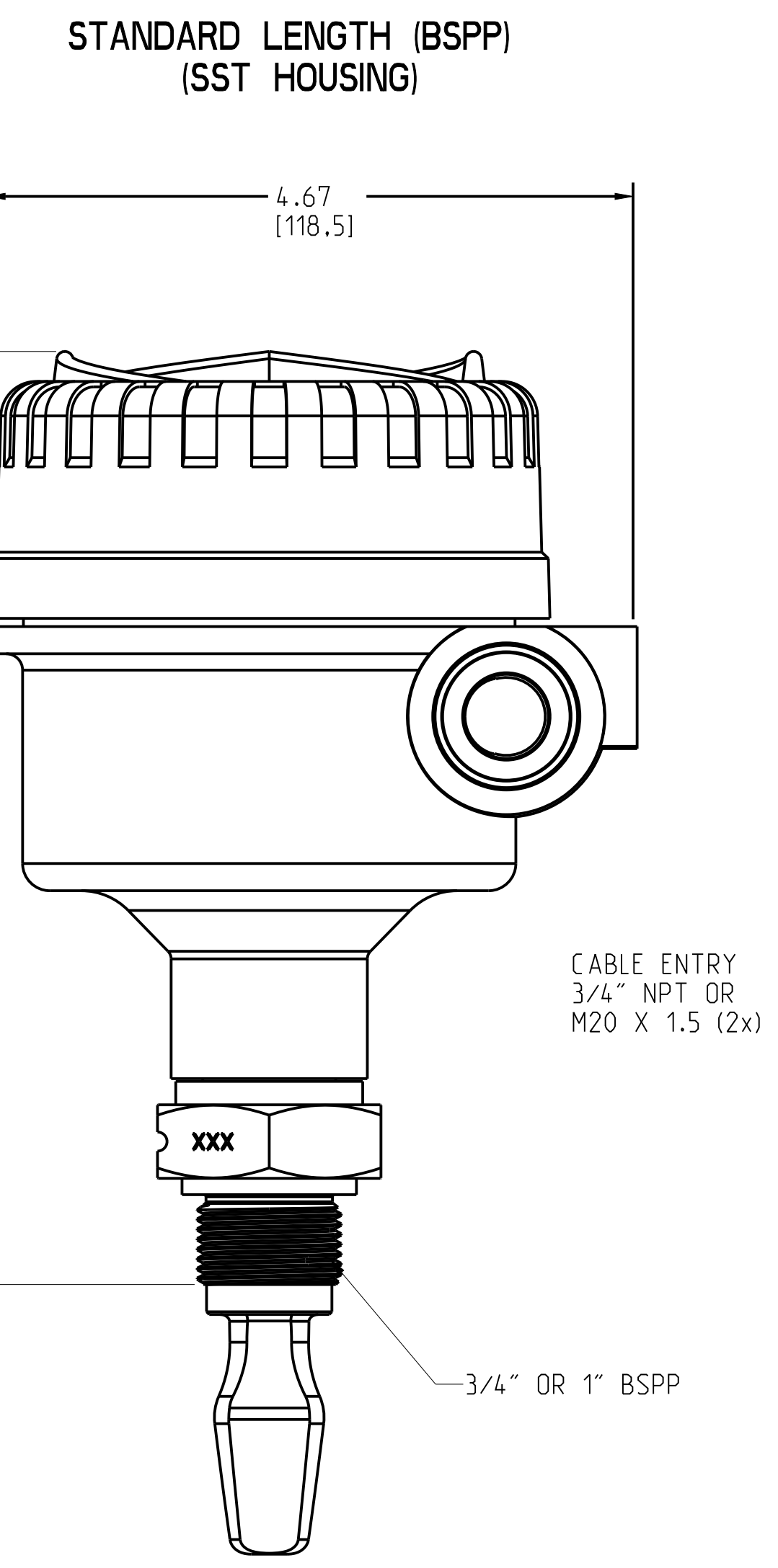
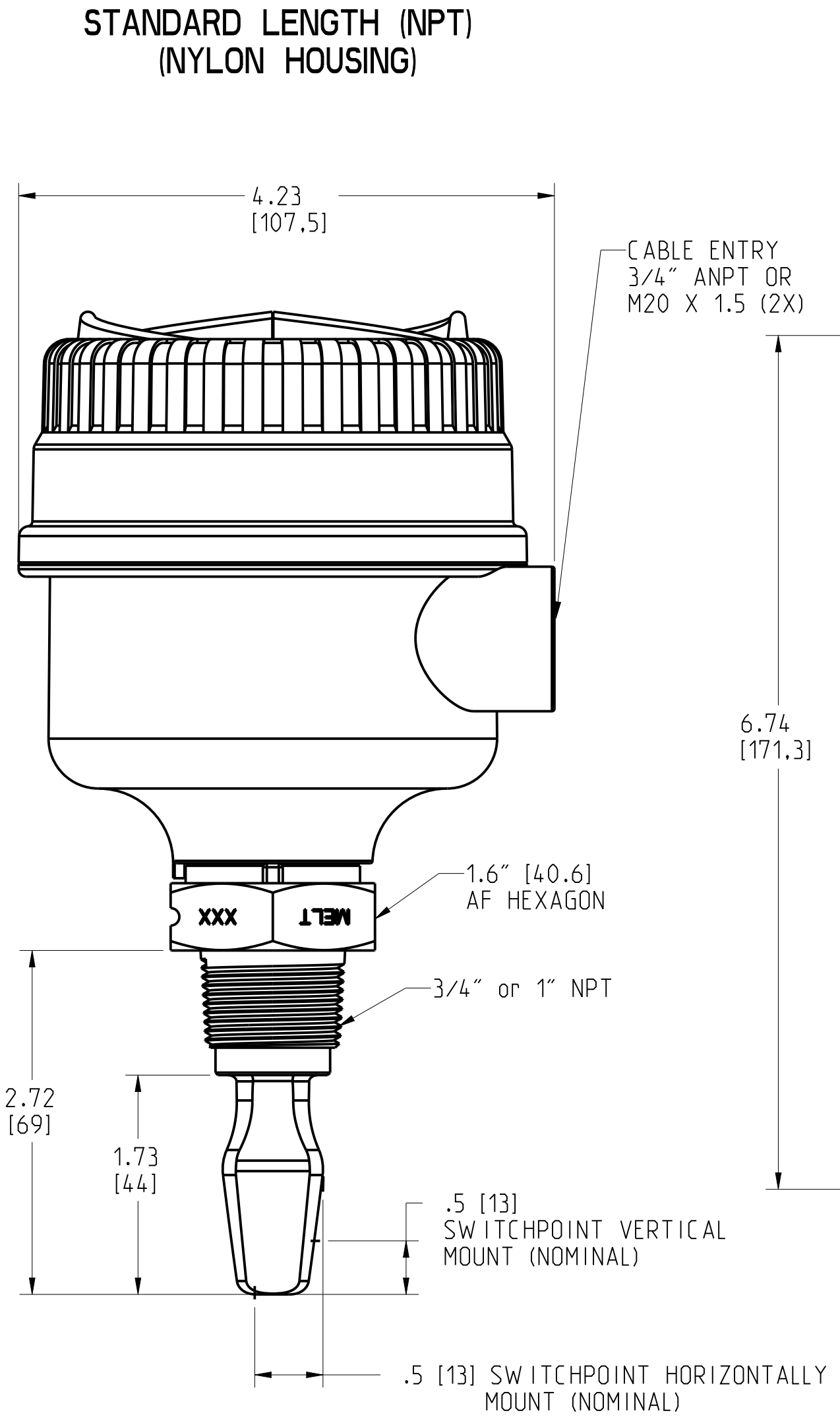
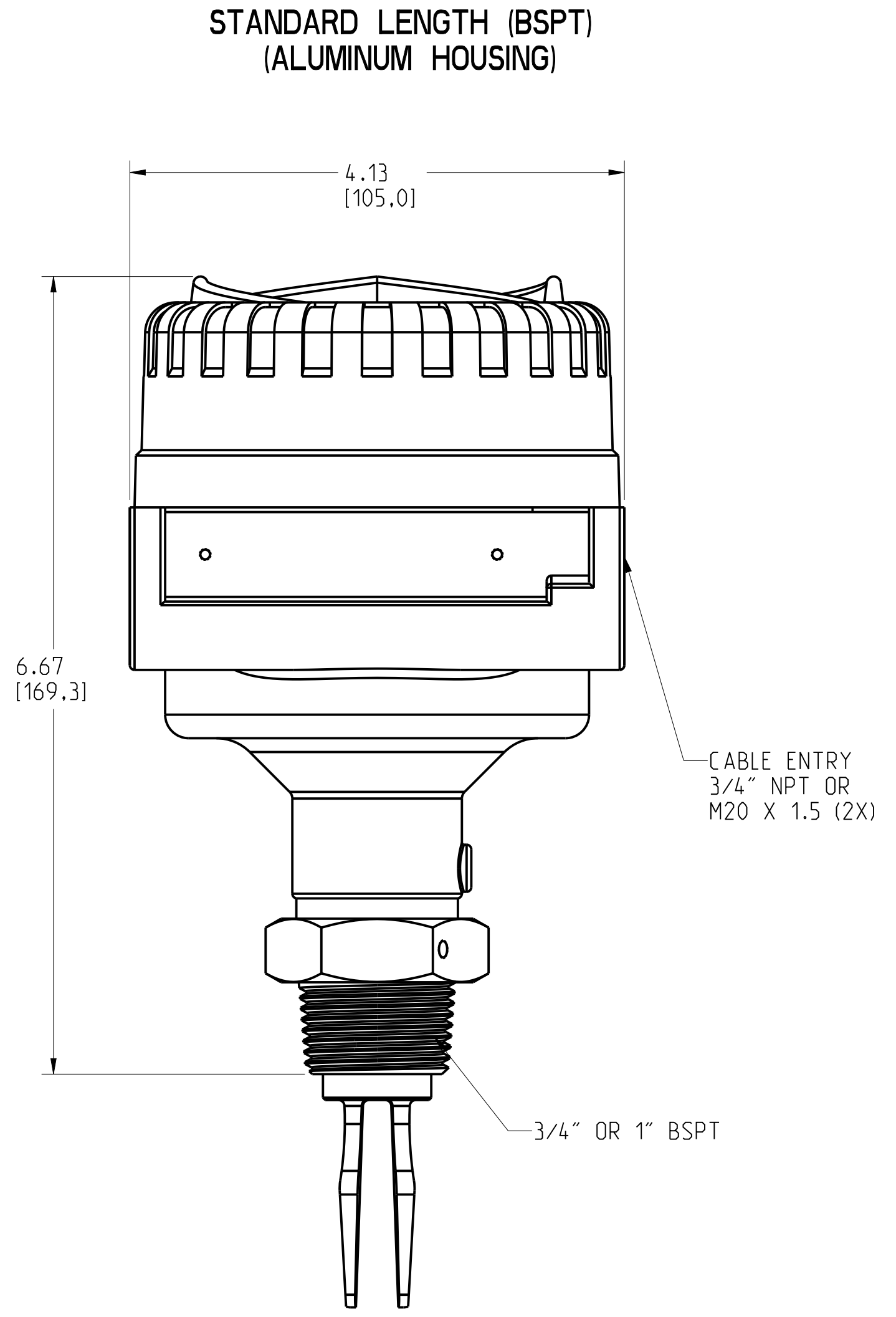


TABLE 1 FORK EXTENSION TUBE DIA.

THREAD SIZE	TUBE MATERIAL	EXT TUBE MAX O/D	FORK TUBE MAX O/D	NOTE
3/4"	316/316L	.9 [22.8]	.9 [22.75]	1.
1" & 2"	316/316L	1.13 [28.8]	1.11 [28.1]	1.
3/4"	ALLOY C/C-276	.85 [21.6]	.9 [22.75]	1.
1"	ALLOY C/C-276	1.06 [26.9]	1.06 [26.8]	1.

1. Weld between extension tube and fork tube locally add up to 0.4 [1] to largest tube dia.

TABLE 2, FORK LENGTH

THREAD	STANDARD LENGTH	MIN LENGTH E	FORK LENGTH E
3/4"	1.73 [44]	3.75 [94]	157.5 [4000]
1"	1.73 [44]	3.75 [94]	157.5 [4000]
O-RING SEAL (1" BSPP)	1.73 [44]	—	—

EXTENDED FORK LENGTH AVAILABLE FOR NPT/BSPT/BSPP

©2015 ROSEMOUNT INC.
ROSEMOUNT INC. ACCEPTS
THIS ACCORDANCE WITH
ROSEMOUNT ENGINEERING
SPECIFICATIONS.
UNIT NOTES IN INCHES (mm).
REFERENCE ROSEMOUNT
PRODUCT SHEETS FOR
PRODUCT SPECIFICATIONS.
CLICK HERE

3RD ANGLE SIZE D SCALE NTS

EMERSON

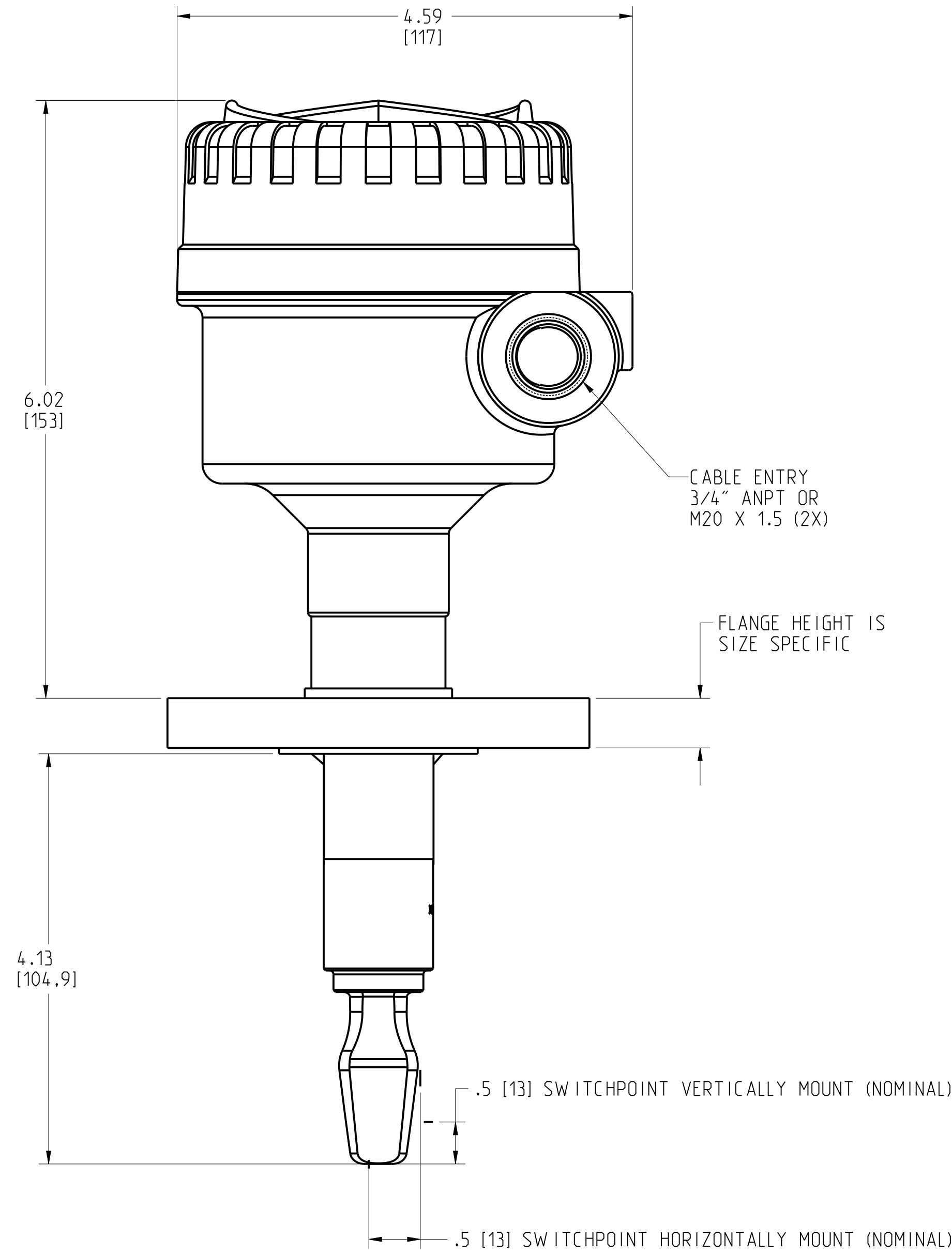
TITLE ROSEMOUNT 2120 LEVEL FORK
TYPE I DRAWING

DR. J. ARMSTRONG 8/15/22 DRAWING NO. 02120-7001
APP'D O. ISAKSSON 8/15/22

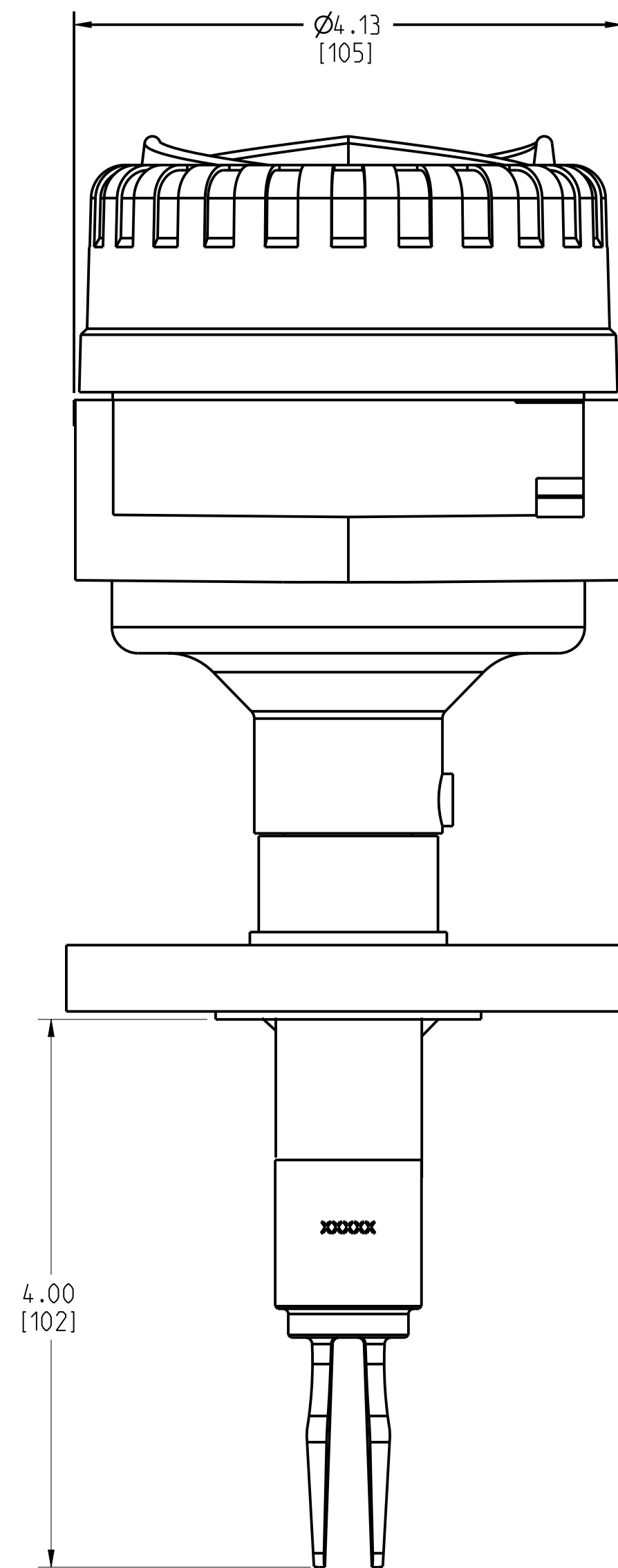
CAD MAINTAINED (PRO/E) SHEET 1 OF 4

ROSEMOUNT 2120 VIBRATING FORK LIQUID LEVEL DETECTOR (FLANGED)

STANDARD LENGTH (FLANGE)
(ALUMINUM HOUSING)



STANDARD LENGTH (FLANGE)
(SST HOUSING)



EXTENDED LENGTH (FLANGE)
(NYLON HOUSING)

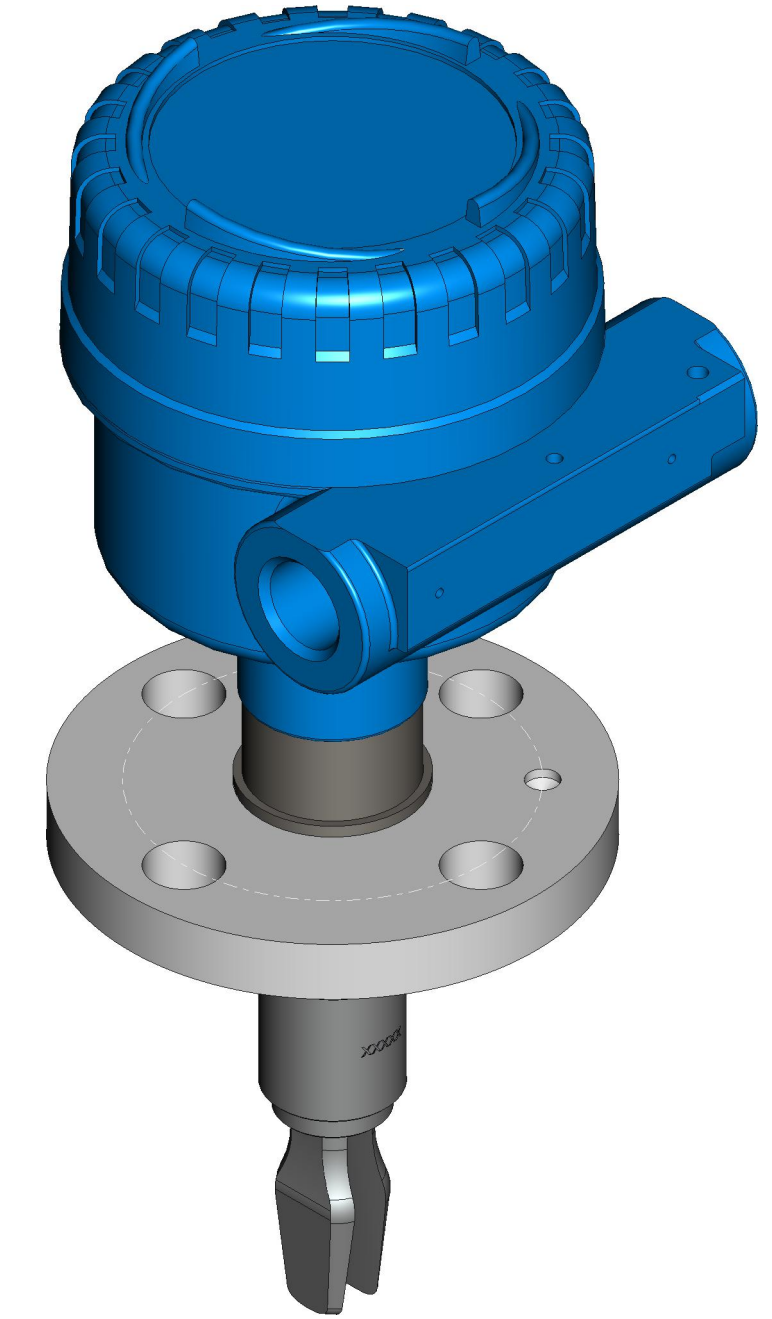
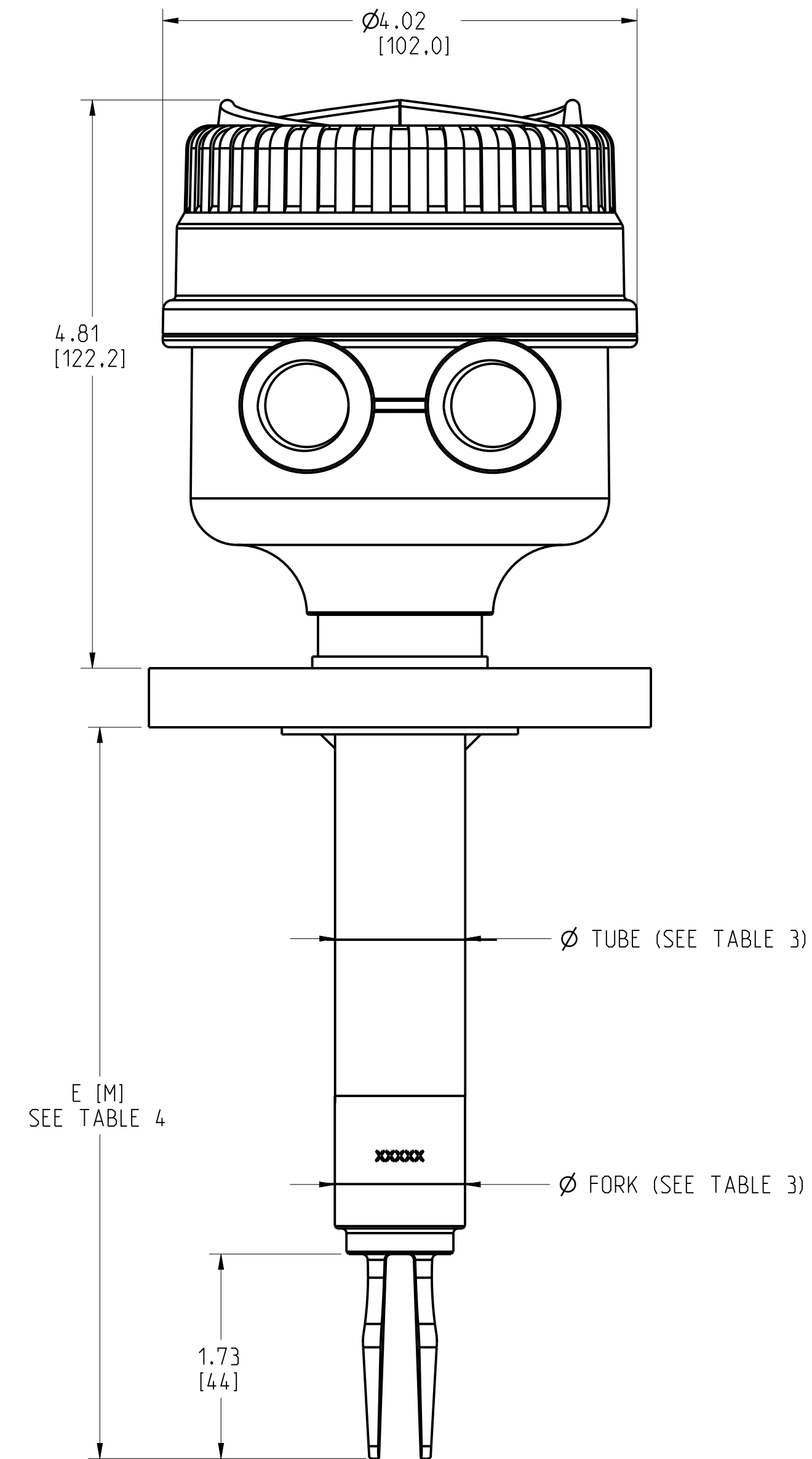


TABLE 3 FORK EXTENSION TUBE DIA.

FLANGE SIZE	TUBE MATERIAL	EXT. TUBE MAX O/D	EXT. TUBE O/D ECTFE COATED	FORK TUBE MAX O/D	FORK TUBE MAX O/D ECTFE COATED	NOTE
ASME 1", EN DN25 and JIS 25A	316/316L	.9 [22.8]	.95 [24]	.9 [22.75]	.94 [23.95]	See 1..2 and 3.
ASME 1 1/2", EN DN40, JIS 40A or LARGER	316/316L	1.13 [28.8]	1.18 [30]	1.11 [28.1]	1.15 [29.3]	See 1. and 3
ASME 1", EN DN25 and JIS 25A	ALLOY C/C-276	.85 [21.6]	.9 [22.8]	.9 [22.75]	.94 [23.95]	See 1. and 2.
ASME 1 1/2" EN DN40, JIS 40A or LARGER	ALLOY C/C-276	1.06 [26.9]	1.11 [28.1]	1.06 [26.8]	1.1 [28]	See 1.

1. Weld between extension tube and fork tube locally add up to 0.4 [1] to largest dia.
2. If flange gasket with inner ring used, contact product support.
3. The ECTFE Coating adds 1.2mm to Fork and Tube Ø. 316/316L ONLY.

TABLE 4 FORK LENGTH

MATERIAL	STANDARD LENGTH	MIN LENGTH E	MAX LENGTH E
SS 316/316L	4.00 [102]	3.50 [89]	157.5 [4000]
ALLOY C (UNS N10002) ALLOY 276 (UNS N10276)	4.00 [102]	3.50 [89]	157.5 [4000]
ECTFE CO-POLYMER COATED	4.00 [102]	3.50 [89]	58.1 [1500]

©2015 ROSEMOUNT, INC.
ROSEMOUNT INCORPORATES
THIS INFORMATION IN
THIS DOCUMENT WITH
ROSEMOUNT ENGINEERING
SPECIFICATIONS.
UNIT NOTES IN INCHES (mm).
REFERENCE ROSEMOUNT
PRODUCT SHEETS FOR
PRODUCT SPECIFICATIONS.
CLICK HERE

3RD ANGLE SIZE D SCALE NTS

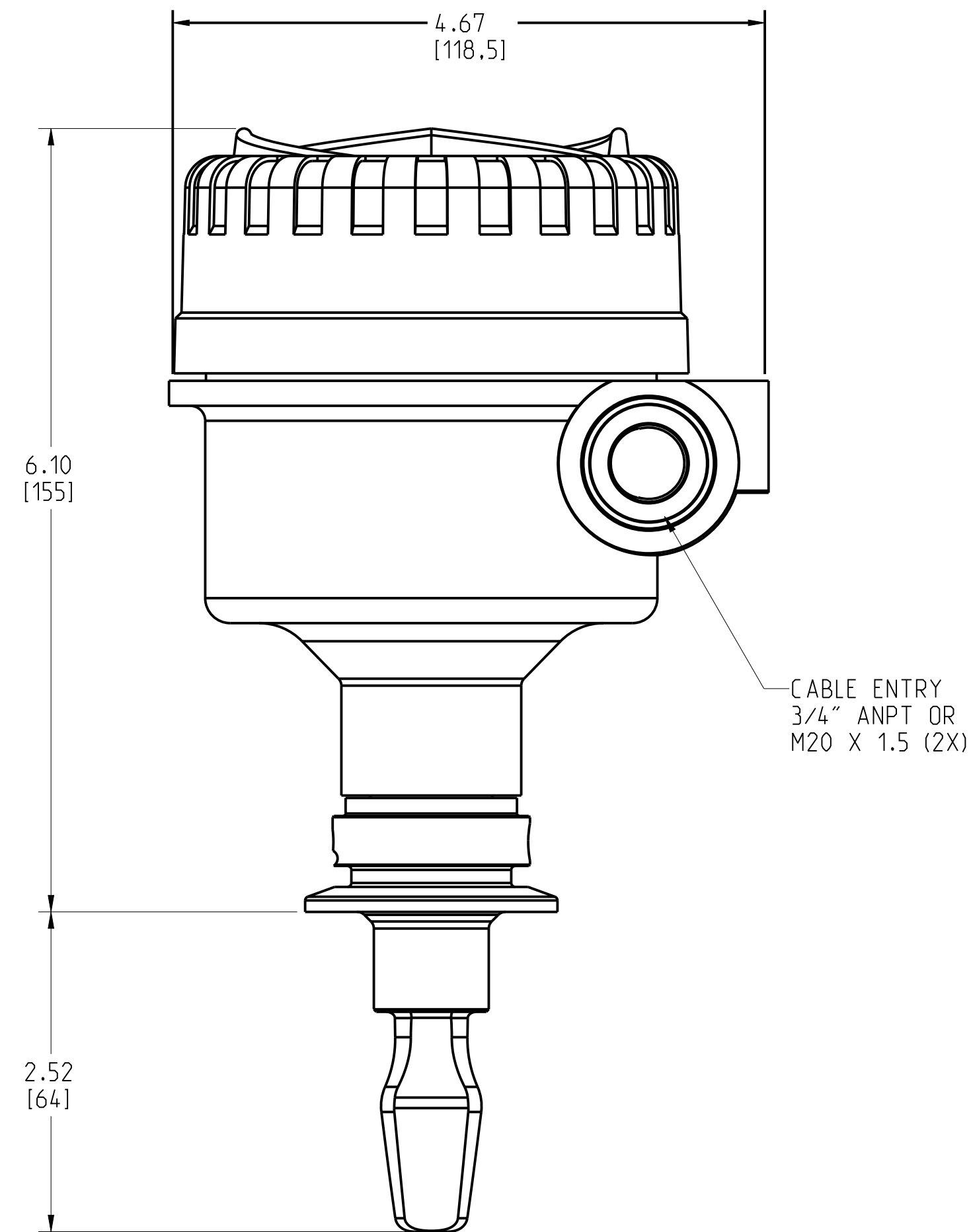
EMERSON

TITLE ROSEMOUNT 2120 LEVEL FORK
TYPE I DRAWING

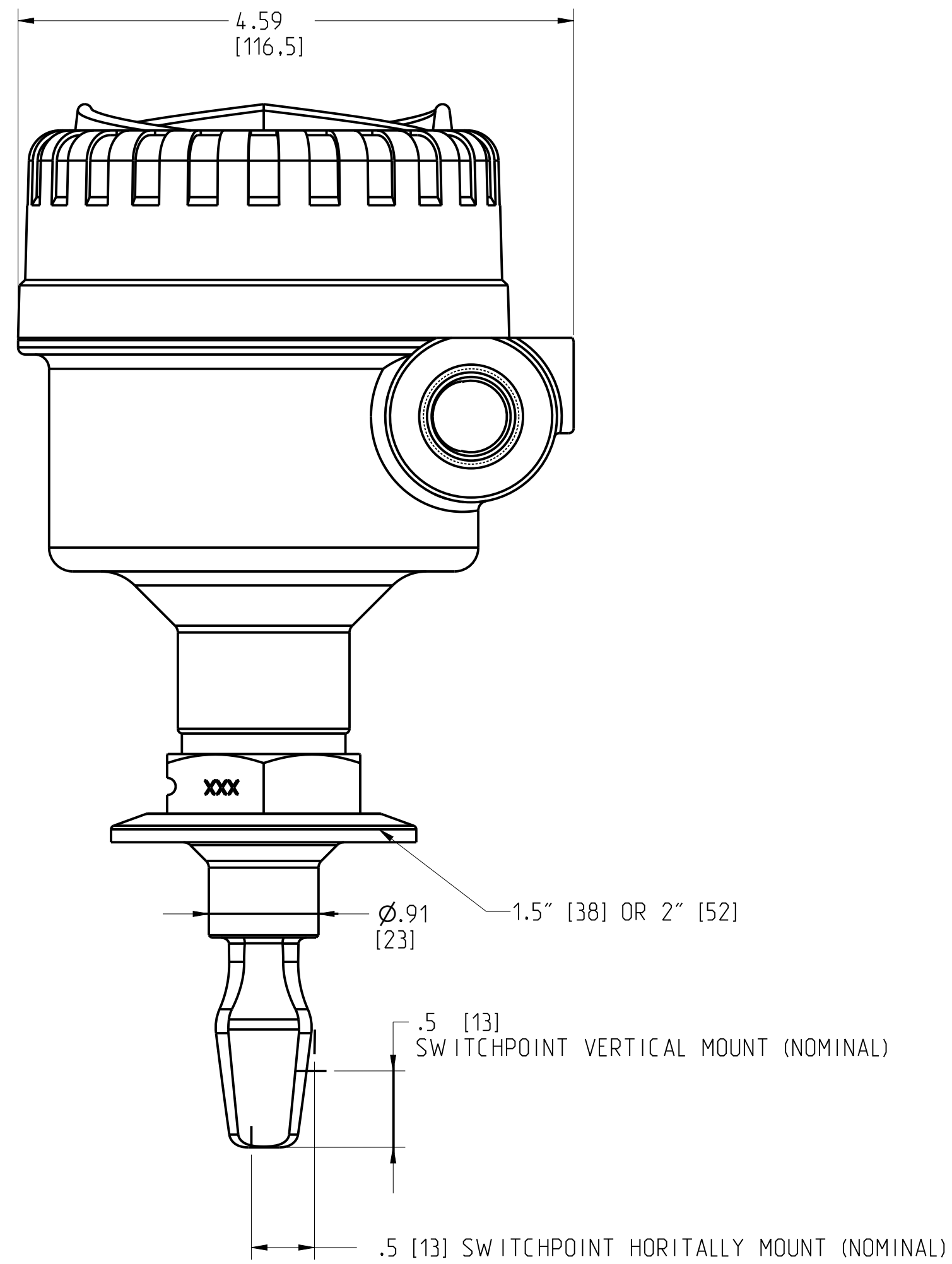
DR. J ARMSTRONG 8/15/22 DRAWING NO. 02120-7001
APP'D O ISAKSSON 8/15/22
CAD MAINTAINED. (PRO/E) SHEET 2 OF 4

ROSEMOUNT 2120 VIBRATING FORK LIQUID LEVEL DETECTOR (TRI-CLAMP)

EXTENDED LENGTH TRI-CLAMP
(SST HOUSING)



EXTENDED LENGTH TRI-CLAMP
(ALUMINUM HOUSING)



EXTENDED LENGTH TRI-CLAMP
(NYLON HOUSING)

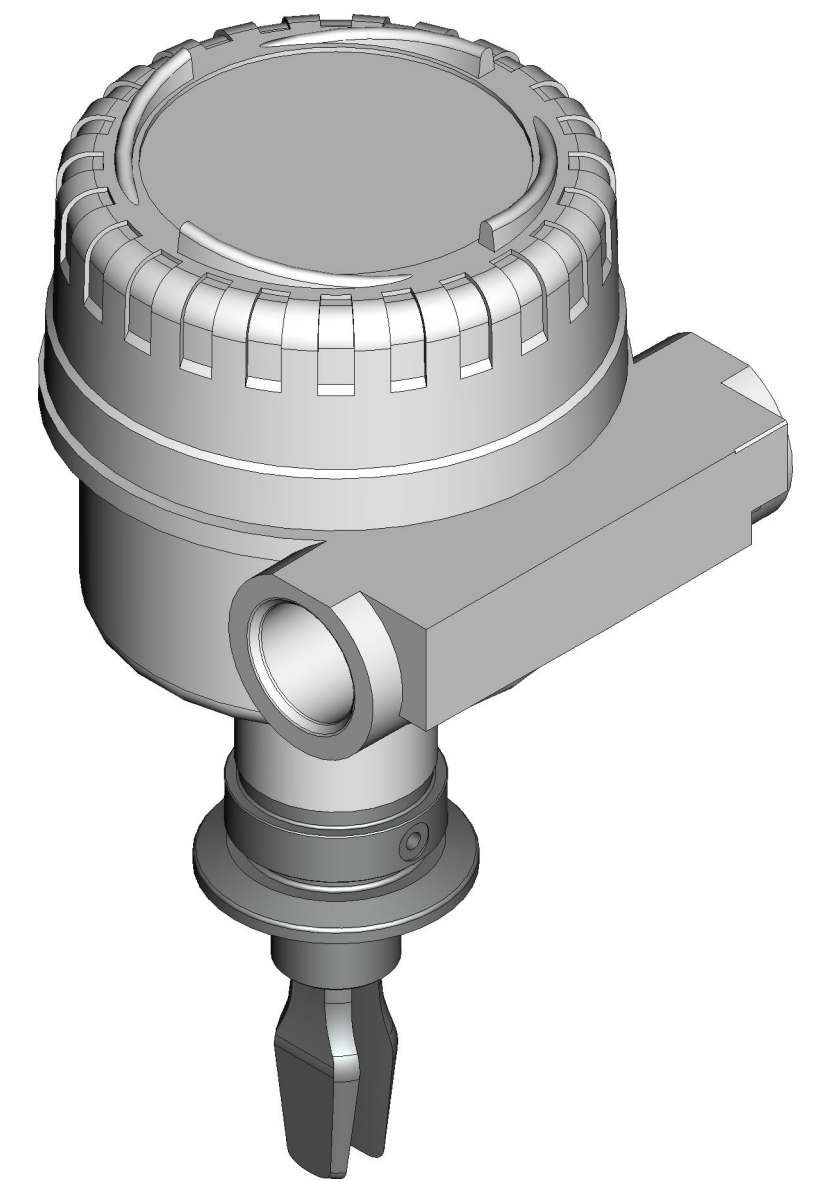
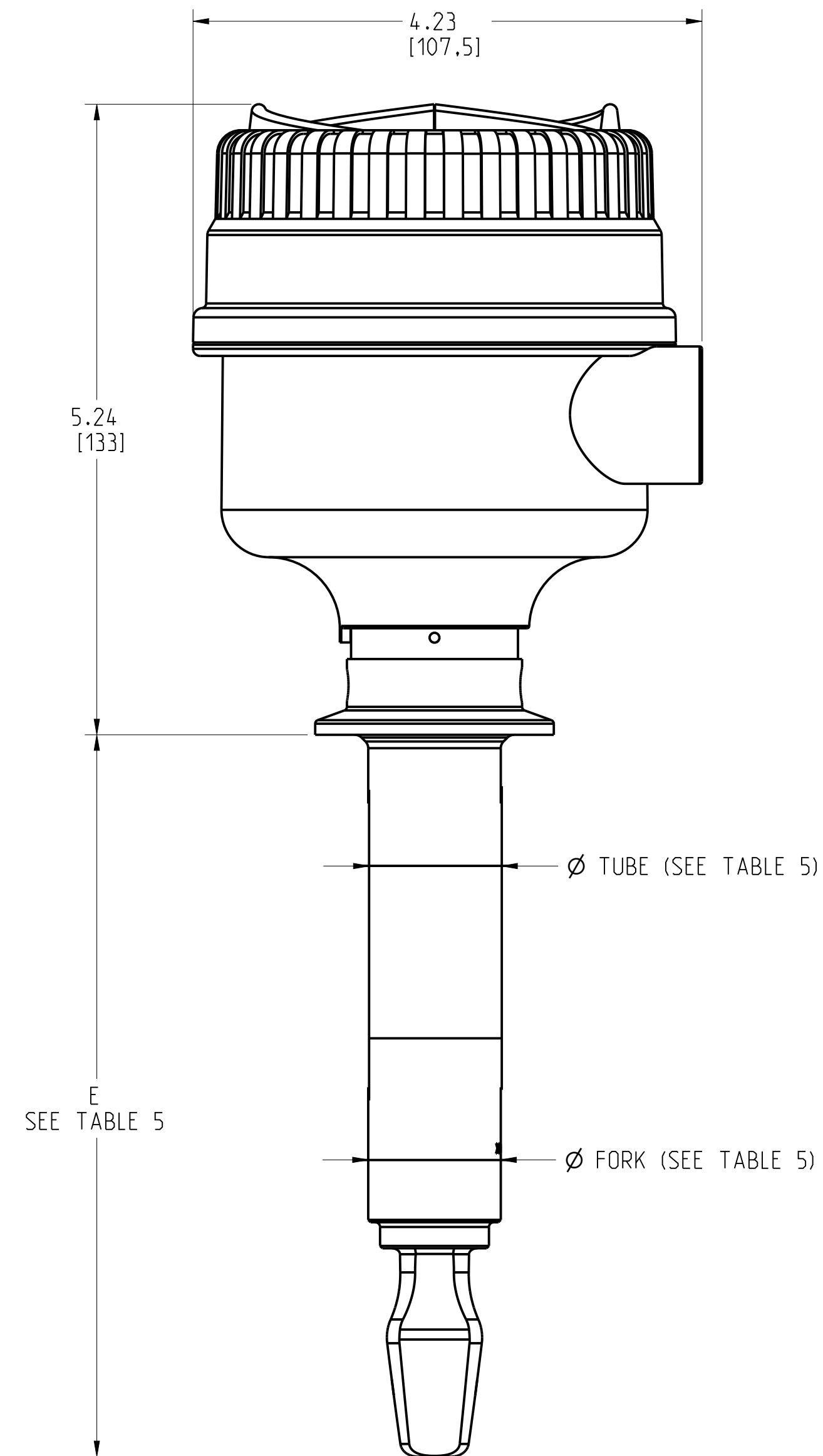


TABLE 5 FORK EXTENSION TUBE DIA.

PROCESS CONNECTION TYPE	TUBE MATERIAL	EXT. TUBE MAX O/D	FORK TUBE MAX D/O	NOTE
Tri-Clamp, Surface Finish Codes 1 and 2	316/316L	1.13 [28.8]	1.11 [28.1]	Surface Finish Codes 1, see 1.

1. Weld between extension tube and fork tube locally add up to 0.4 [1] to largest dia.

TABLE 6 FORK LENGTH

CONNECTION	STANDARD LENGTH	MIN LENGTH E (M)	MAX LENGTH E (M)	POLISHED MAX LENGTH
TRI-CLAMP	1.70 [44]	4.10 [105]	157 [4000]	39.3 [1000]

©2015 ROSEMOUNT, INC. ROSEMOUNT INC. ACCEPTS THIS DRAWING AS IS. THIS DRAWING IS NOT TO BE USED IN ANY MANNER WITHOUT THE WRITTEN PERMISSION OF ROSEMOUNT ENGINEERING. SPECIFICATIONS, UNIT NOTES IN INCHES (mm).

REFERENCE ROSEMOUNT PRODUCT SPECIFICATIONS FOR PRODUCT SPECIFICATIONS. CLICK HERE

CAD MAINTAINED: (PRO/E)

3RD ANGLE

EMERSON

TITLE ROSEMOUNT 2120 LEVEL FORK TYPE I DRAWING

DR. J. ARMSTRONG 8/15/22 DRAWING NO. 02120-7001

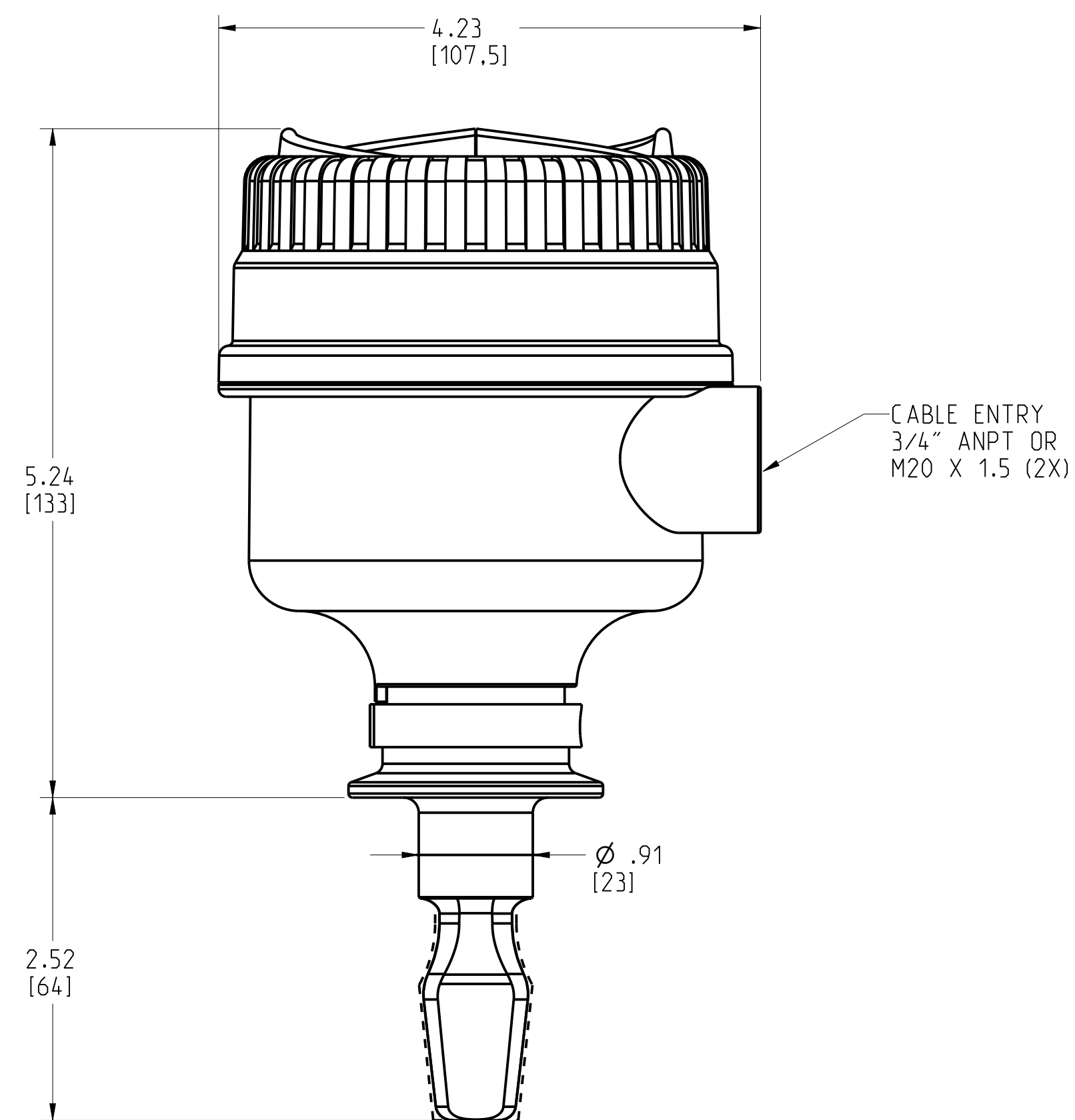
APP'D O. ISAKSSON 8/15/22

SIZE D SCALE NTS

SHEET 3 OF 4

ROSEMOUNT 2120 VIBRATING FORK LIQUID LEVEL DETECTOR HYGENIEC (TRI-CLAMP)

EXTENDED LENGTH TRI-CLAMP
(NYLON HOUSING)



EXTENDED LENGTH TRI-CLAMP
(SST OR ALUMINUM HOUSING)

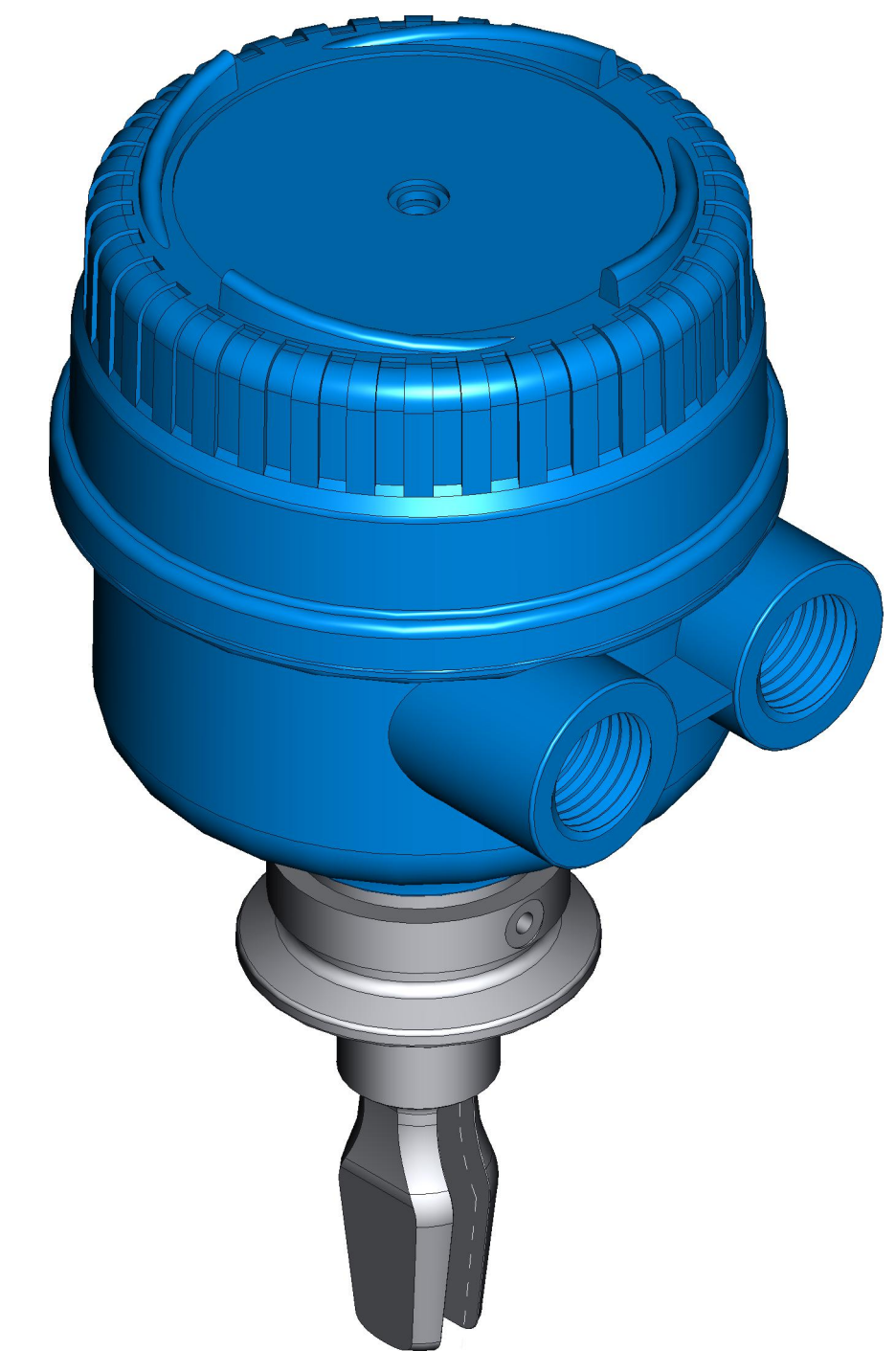
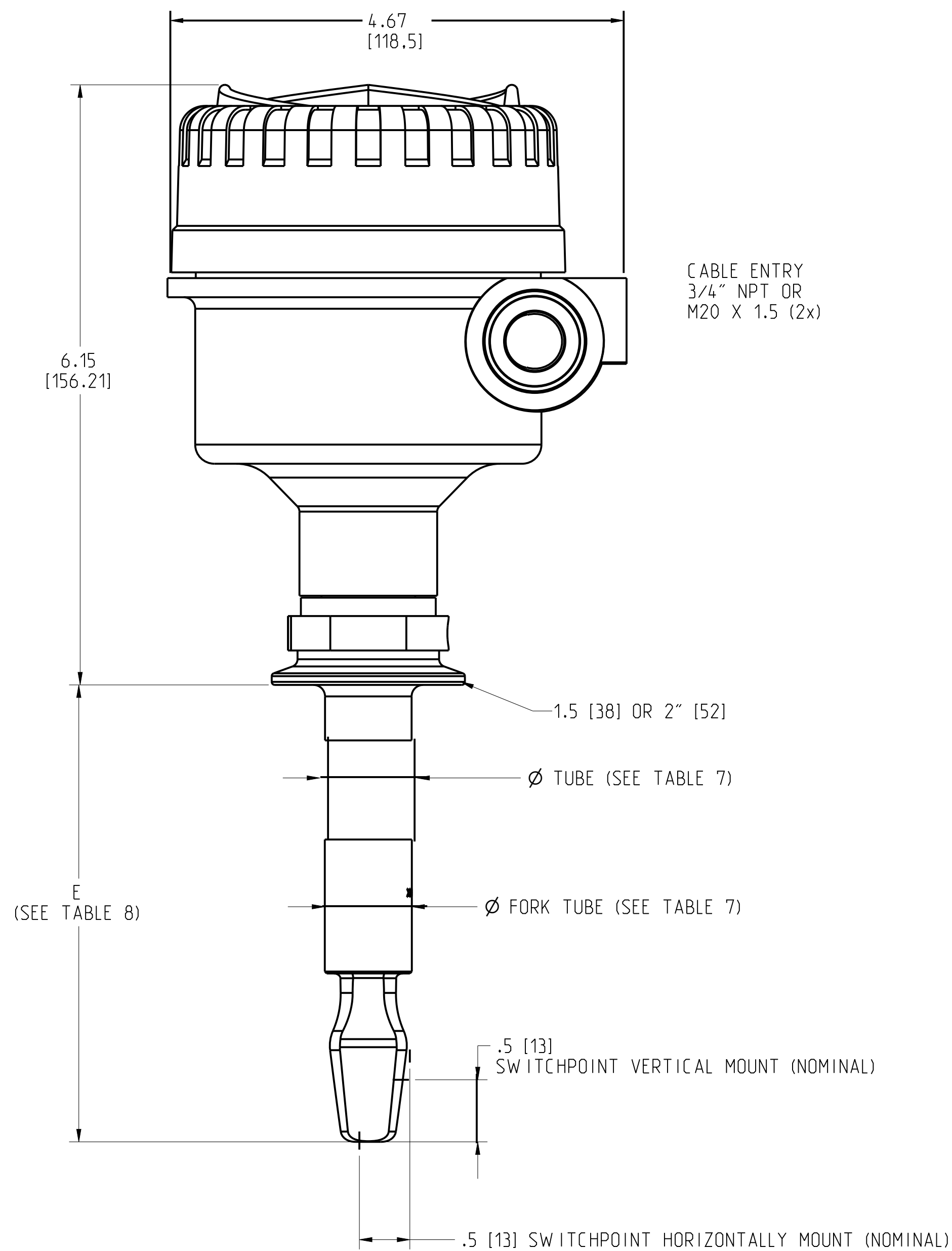


TABLE 7 FORK EXTENSION TUBE DIA.			
PROCESS CONNECTION TYPE	TUBE MATERIAL	EXT. TUBE MAX O/D	FORK TUBE MAX D/O
Tri-Clamp, Surface Finish Codes 3,4,7 and 8	316/316L	0.9 [22.8]	0.9 [22.8]

TABLE 8 FORK LENGTH			
CONNECTION	STANDARD LENGTH	MIN LENGTH E (M)	POLISHED MAX LENGTH
TRI-CLAMP	1.70 [44]	4.10 [105]	39.3 [1000]

©2015 ROSEMOUNT, INC. ROSEMOUNT INCORPORATES THIS INFORMATION IN THIS DOCUMENT WITH ACCORDANCE WITH ROSEMOUNT ENGINEERING SPECIFICATIONS. UNIT NOTES IN INCHES (mm).

REFERENCE ROSEMOUNT PRODUCT SHEETS FOR PRODUCT SPECIFICATIONS. CLICK HERE

CAD MAINTAINED: (PRO/E)

3RD ANGLE

EMERSON

TITLE ROSEMOUNT 2120 LEVEL FORK TYPE I DRAWING

DR. J ARMSTRONG 8/15/22 DRAWING NO. 02120-7001

APP'D O ISAKSSON 8/15/22

SHEET 4 OF 4