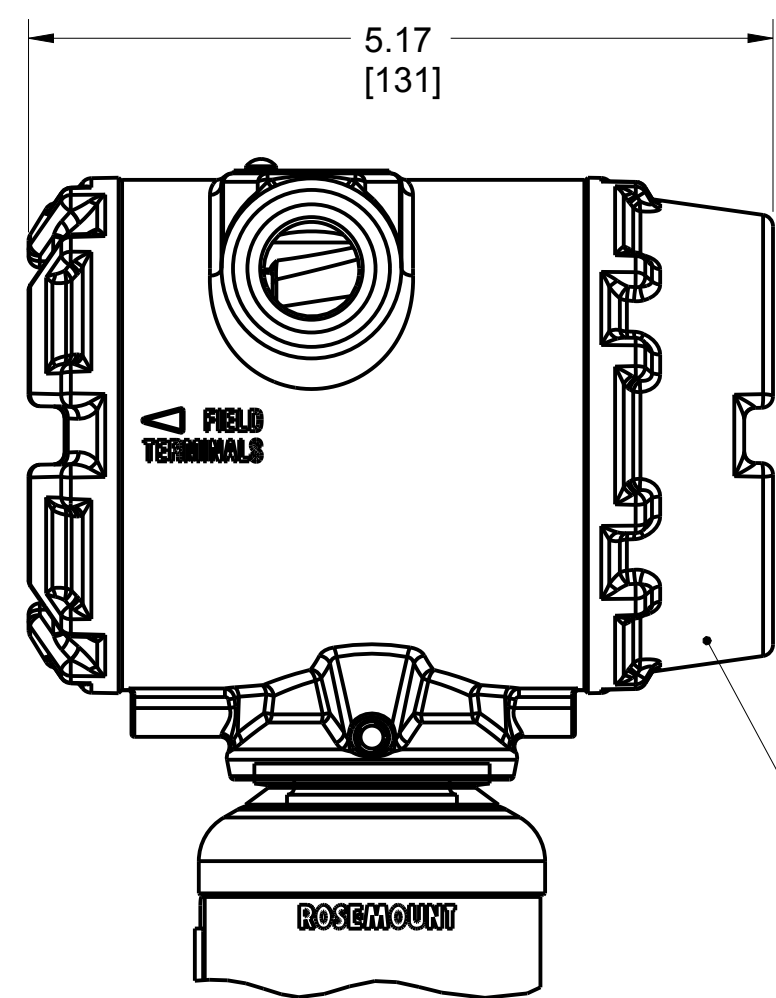


ROSEMOUNT 3051S SCALABLE IN-LINE PRESSURE TRANSMITTER

1/2-14 NPT FEMALE PROCESS CONNECTION

STAINLESS STEEL PROCESS WETTED

PLANTWEB HOUSING
SHOWN WITH OPTIONAL DIGITAL DISPLAY

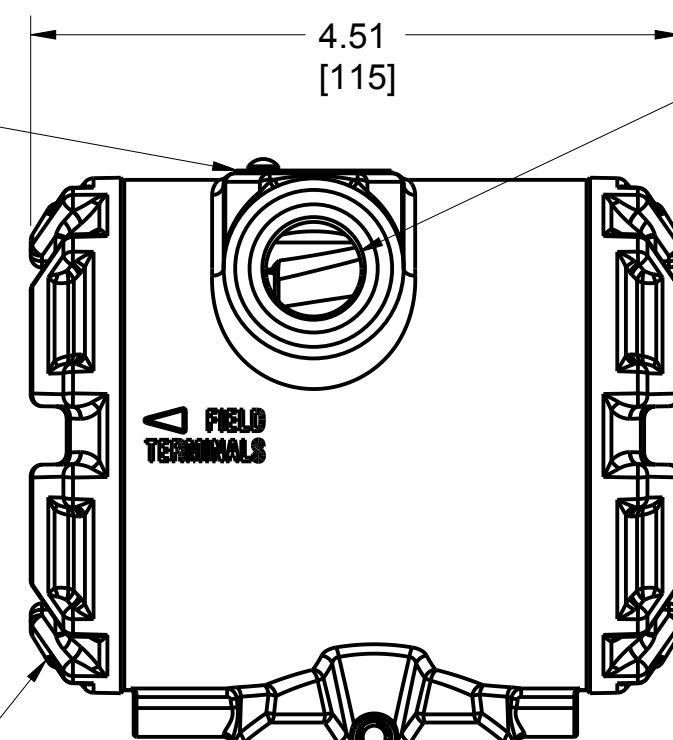


CERTIFICATION LABEL

DIGITAL
DISPLAY
COVER

FIELD TERMINALS
(THIS SIDE)

PLANTWEB HOUSING



CONDUIT CONNECTION
(2 PLACES)

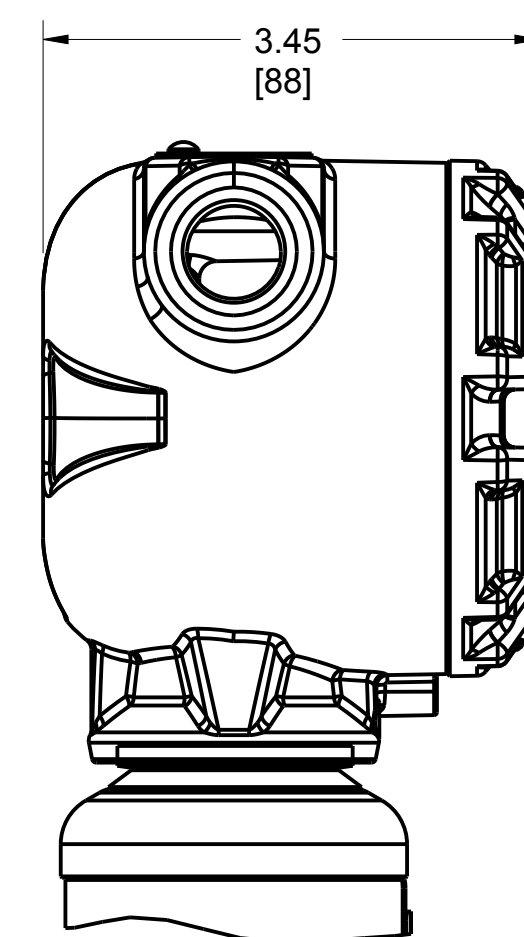
TRANSMITTER
ELECTRONICS
(THIS SIDE)

HOUSING
ROTATION
SET SCREW

NAMEPLATE

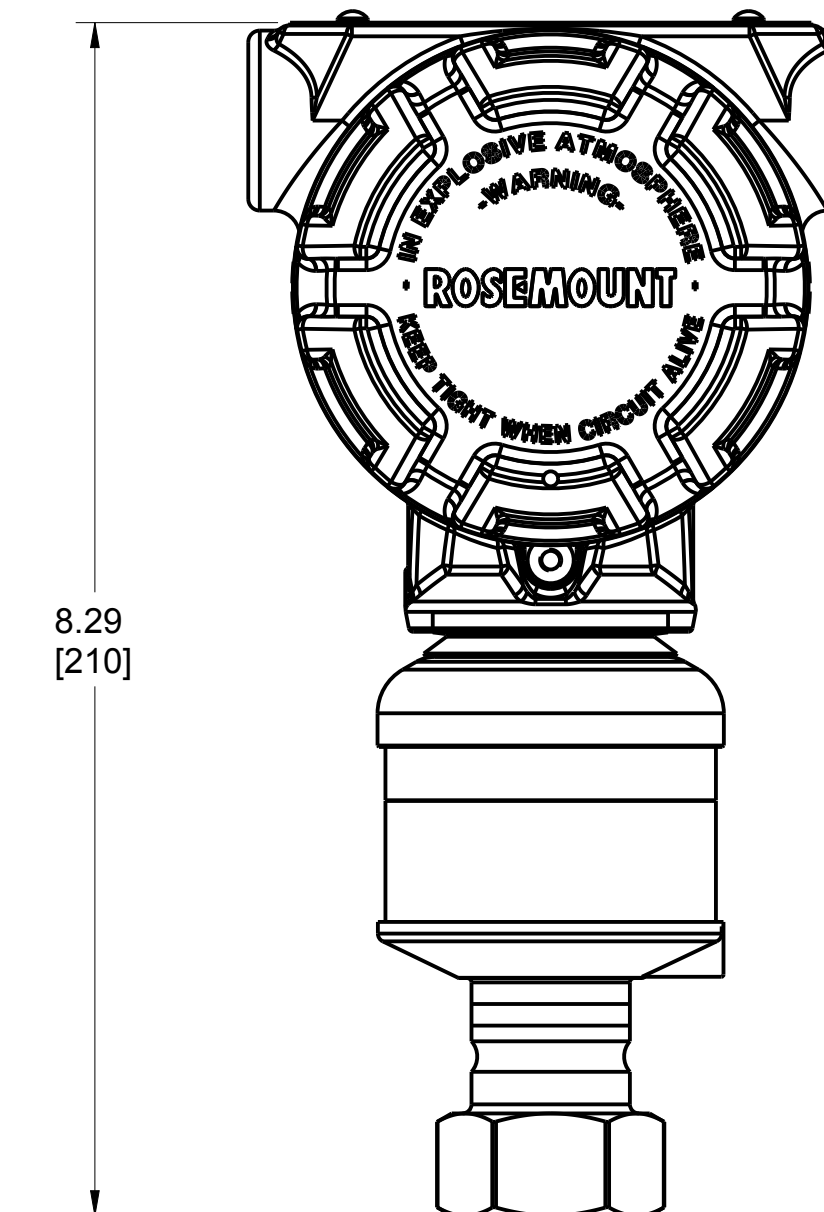
1/2-14 NPT FEMALE

JUNCTION BOX HOUSING

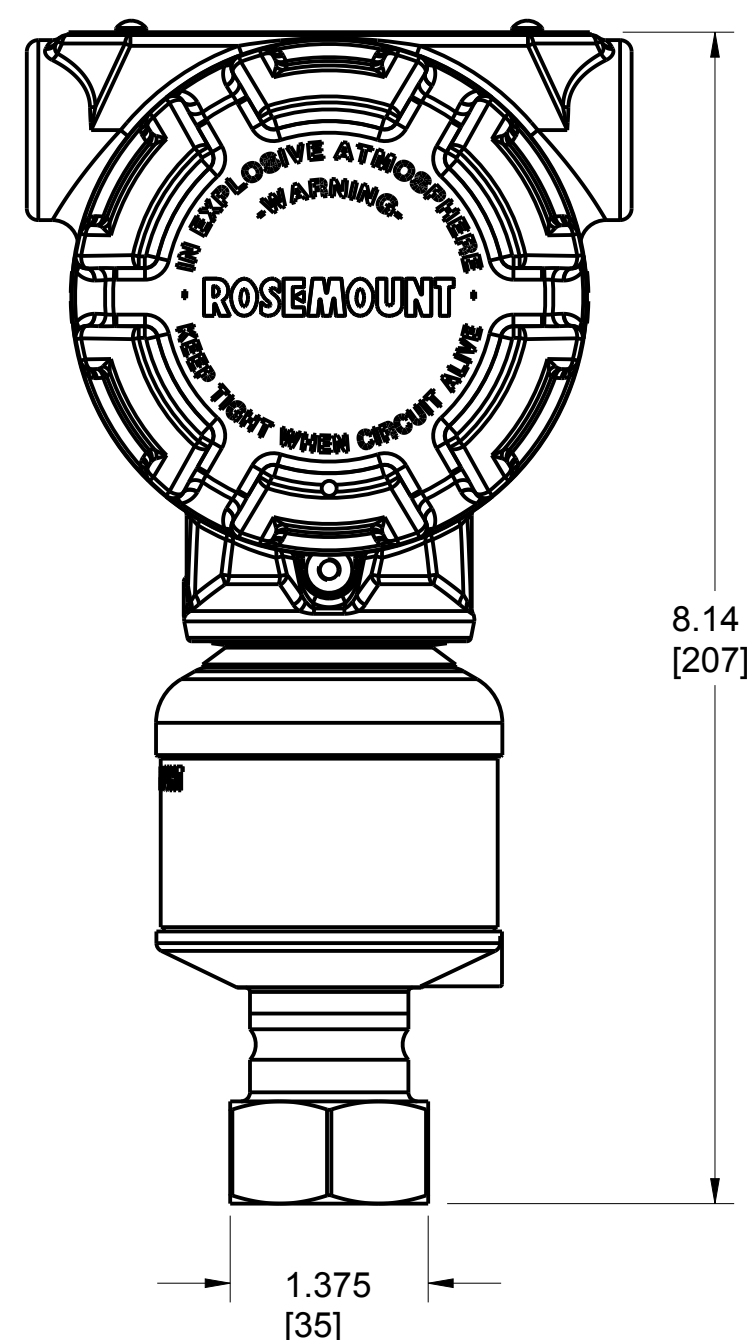


ALLOY C-276 PROCESS WETTED PLANTWEB OR JUNCTION BOX HOUSING

PRESSURE RANGE OPTION 5A

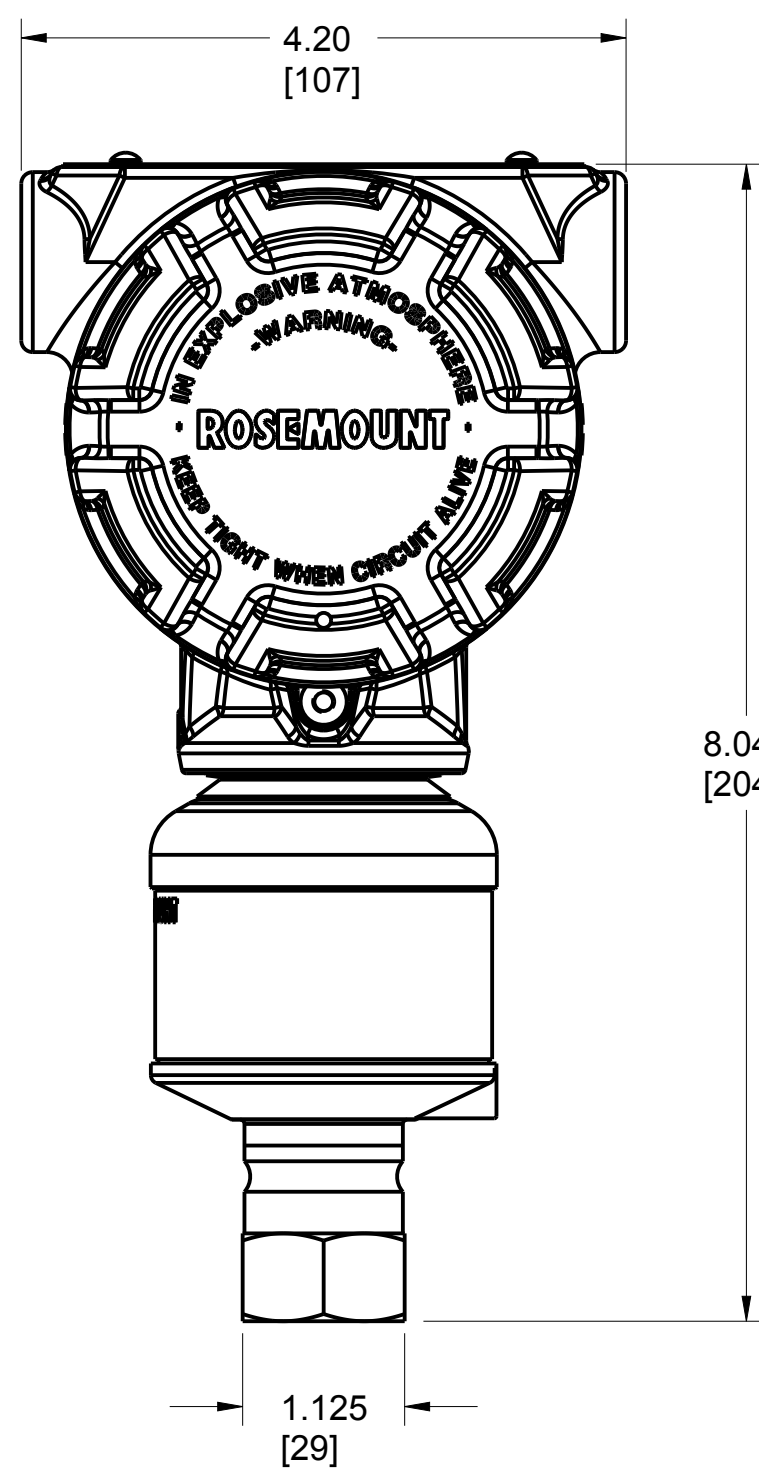


PRESSURE RANGE OPTION 5A



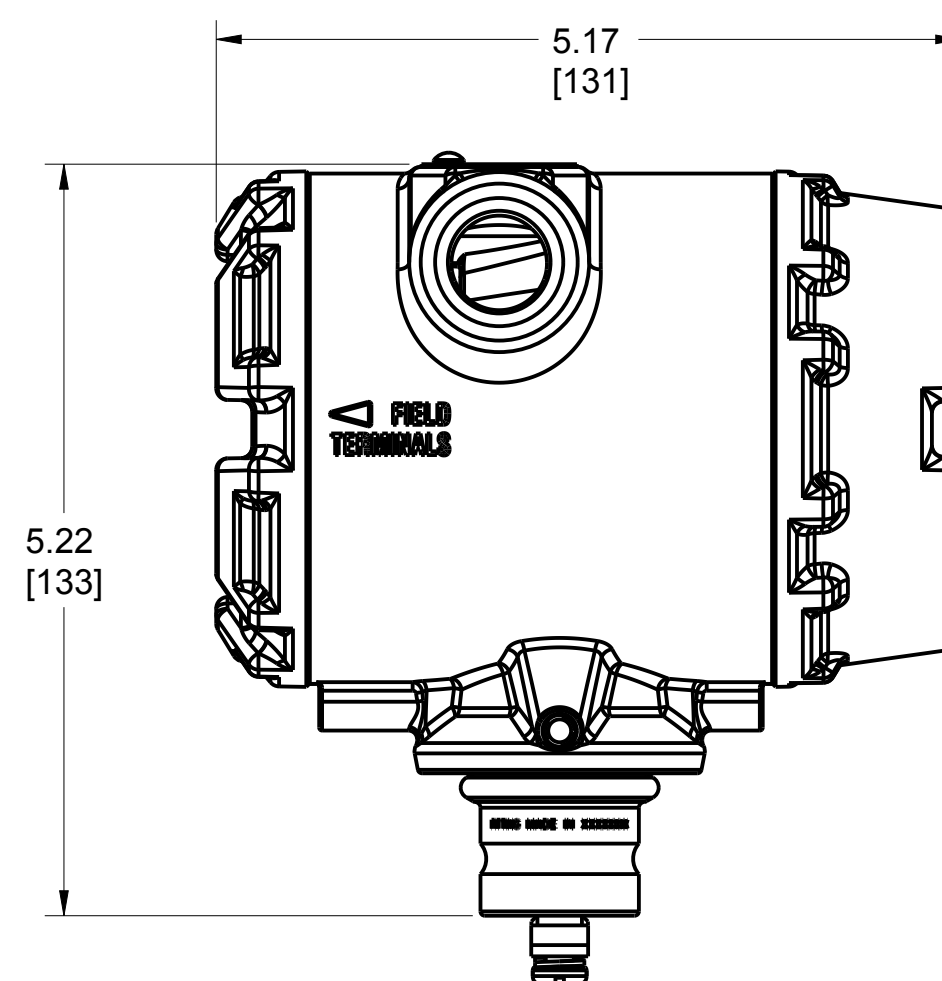
1.375
[35]

PLANTWEB OR JUNCTION BOX HOUSING
PRESSURE RANGE OPTION 1A-4A

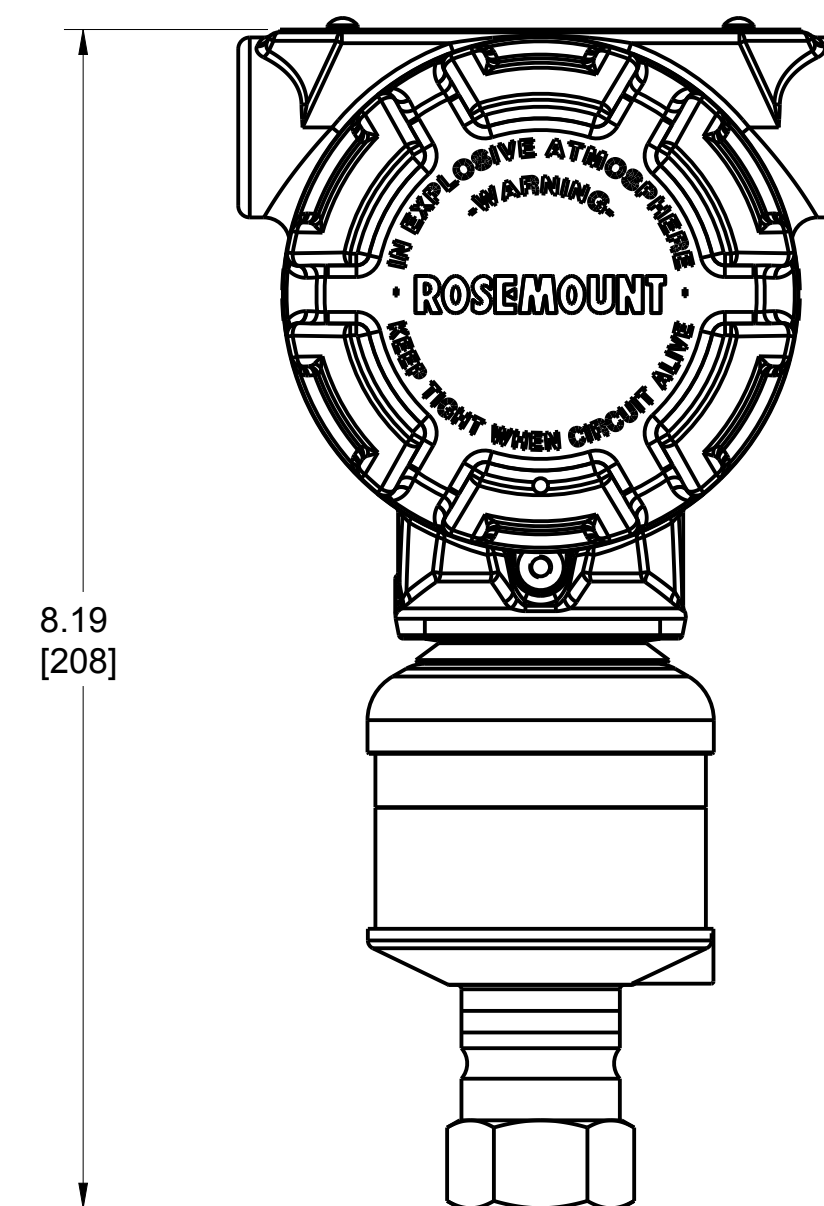


1.125
[29]

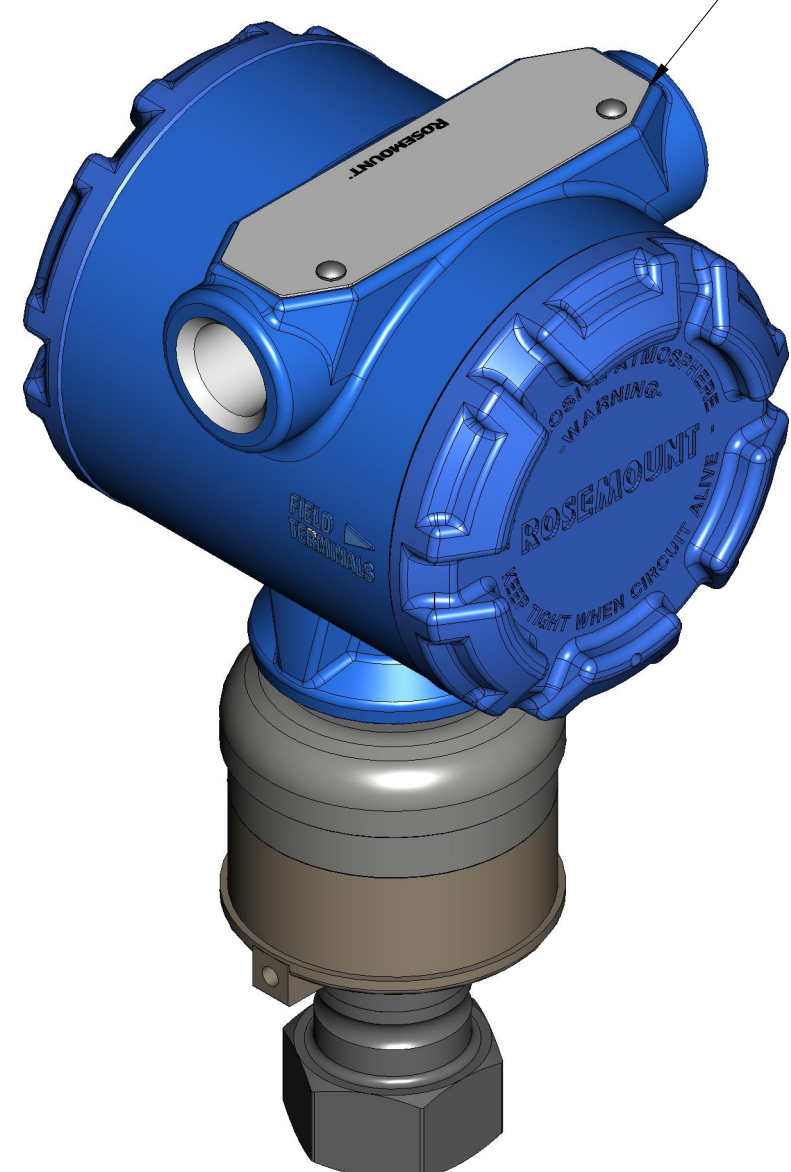
REMOTE METER OPTION



PRESSURE RANGE OPTION 1A-4A



REVISION TABLE			
REVISION	ECO NO.	APP'D	DATE
AK	RTC1071759	Z. MARSO	11/14/18
DESCRIPTION			
UPDATE THE STANDARD ANTENNA LENGTH			



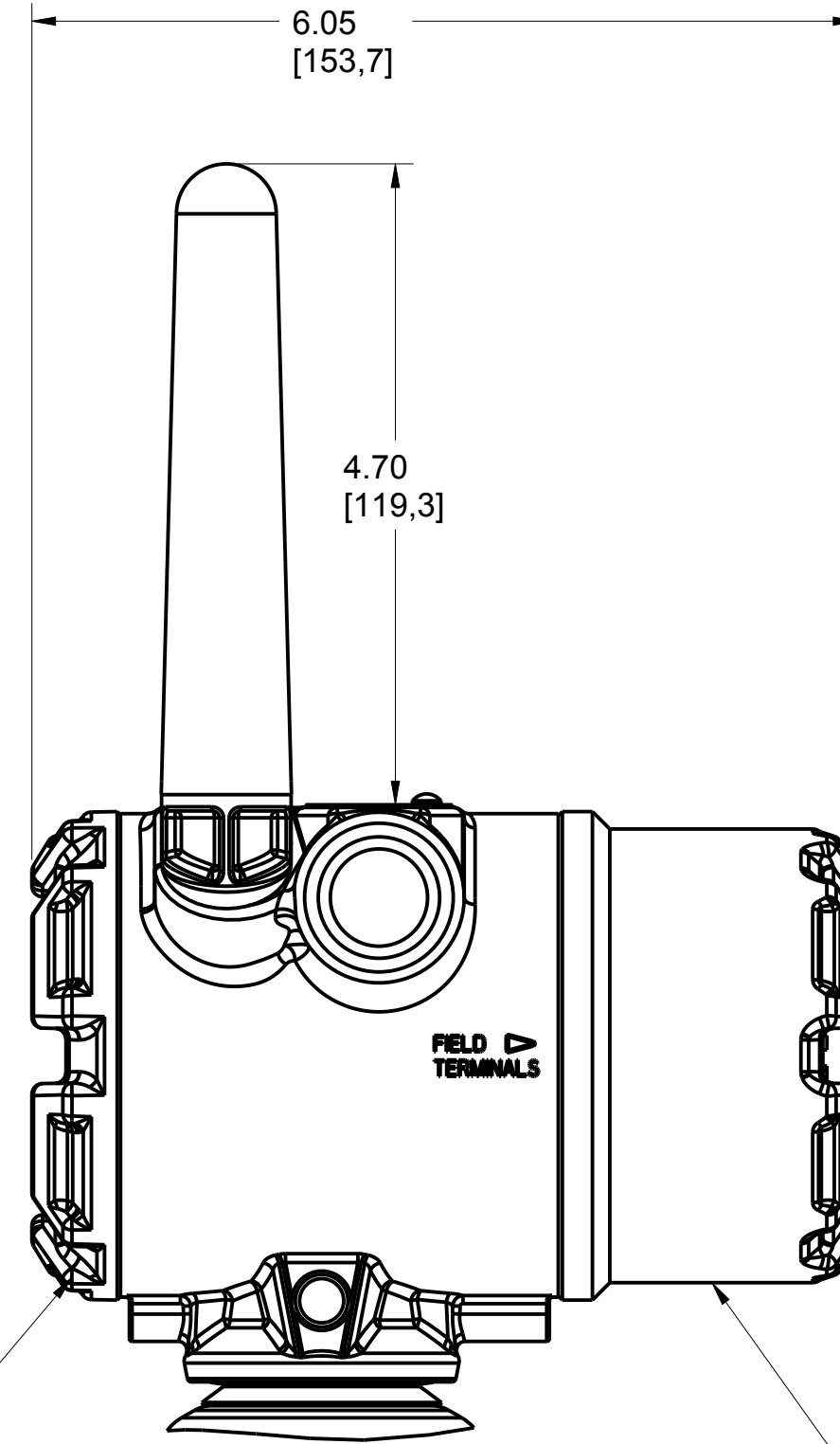
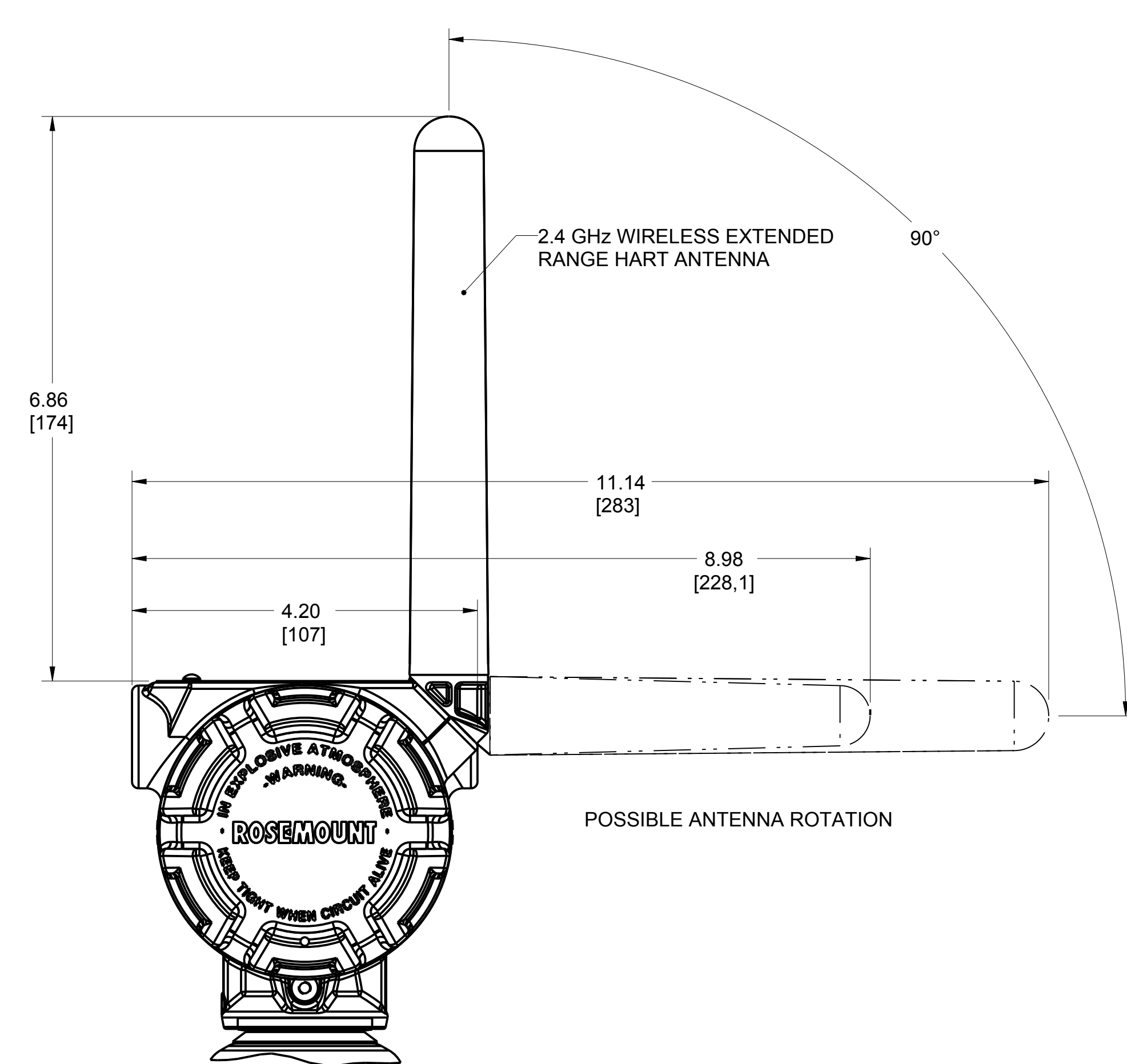
2. .75 [19] CLEARANCE REQUIRED TO REMOVE COVERS

©2015 ROSEMOUNT INC. ROSEMOUNT INC. CERTIFIES THIS PRODUCT TO BE IN ACCORDANCE WITH ROSEMOUNT ENGINEERING SPECIFICATIONS. UNIT NOTES IN INCHES (mm). REFERENCE ROSEMOUNT PRODUCT SPECIFICATIONS. CLICK HERE	3RD ANGLE	SIZE D	SCALE NTS
	TITLE ROSEMOUNT 3051S IN-LINE TYPE I DRAWING		
	DR. J. ARMSTRONG APP'D: MATHIASON	1/16/16 1/16/16	DRAWING NO. 03151-6001

ROSEMOUNT 3051S SCALABLE IN-LINE PRESSURE TRANSMITTER, WIRELESS
 1/2-14 NPT FEMALE PROCESS CONNECTION

STAINLESS STEEL PROCESS WETTED

SHOWN WITH 2.4 GHz EXTENDED RANGE ANTENNA

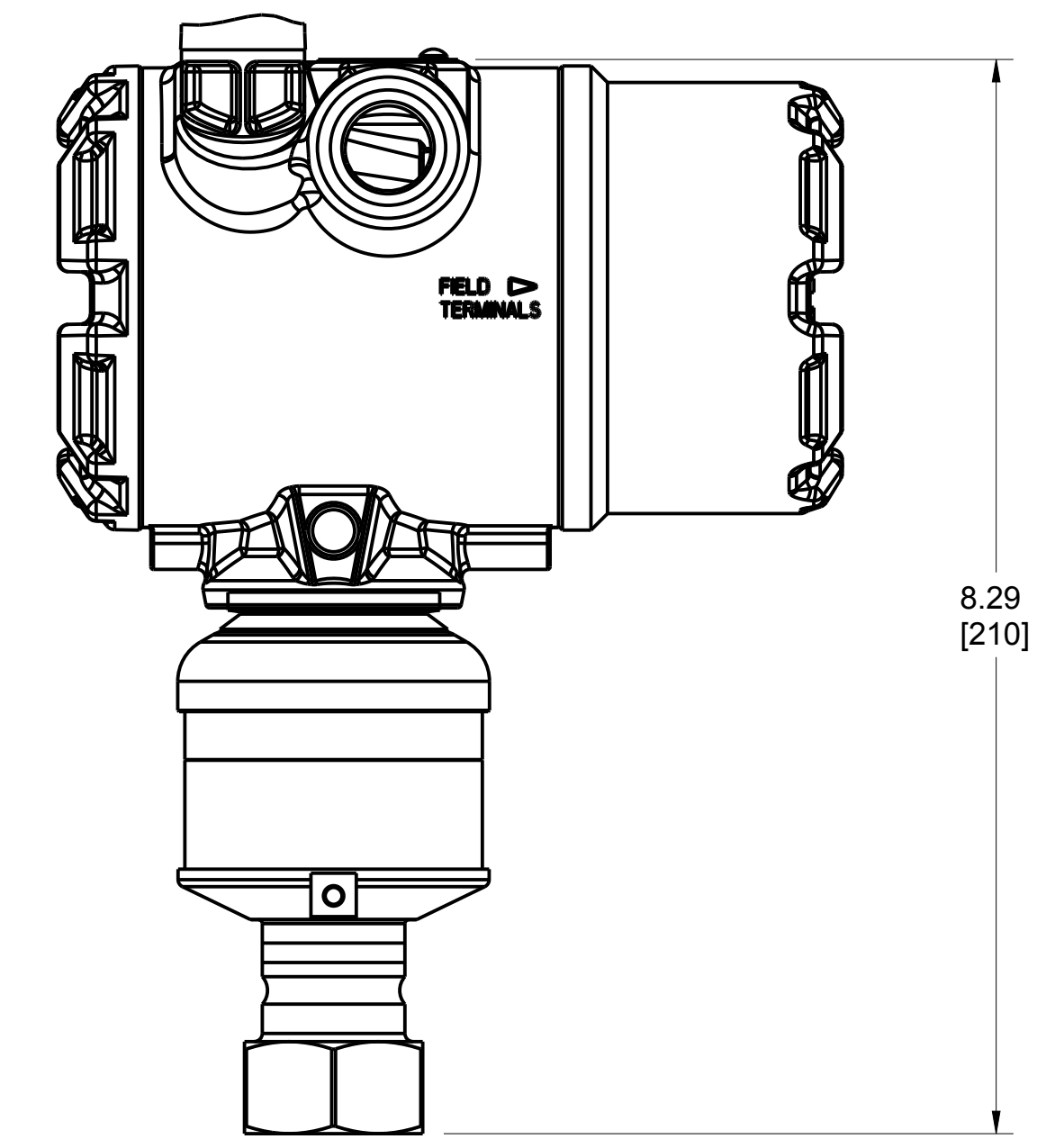


TRANSMITTER ELECTRONICS (THIS SIDE)

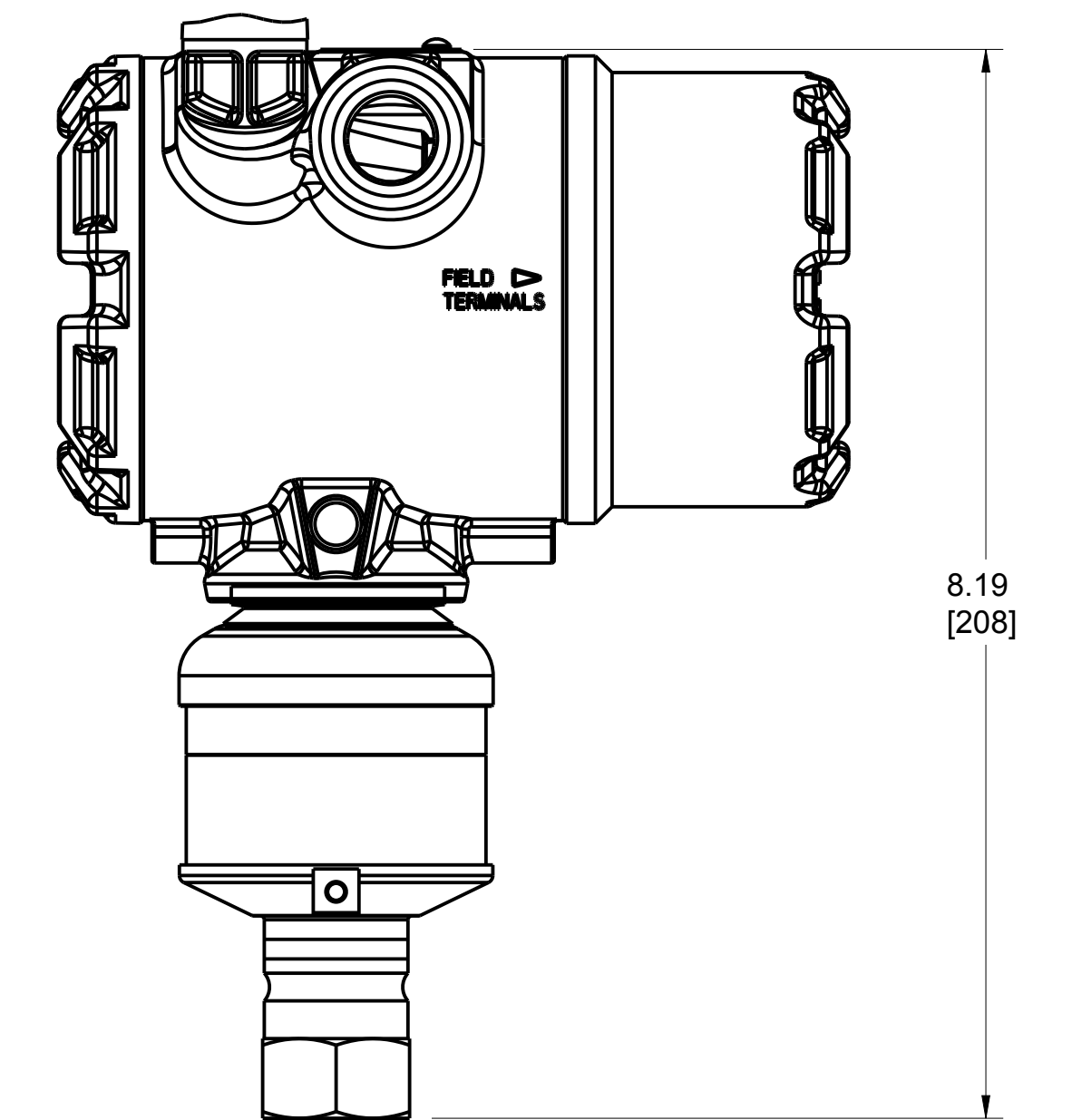
FIELD COMMUNICATIONS (THIS SIDE)

ALLOY C-276 PROCESS WETTED

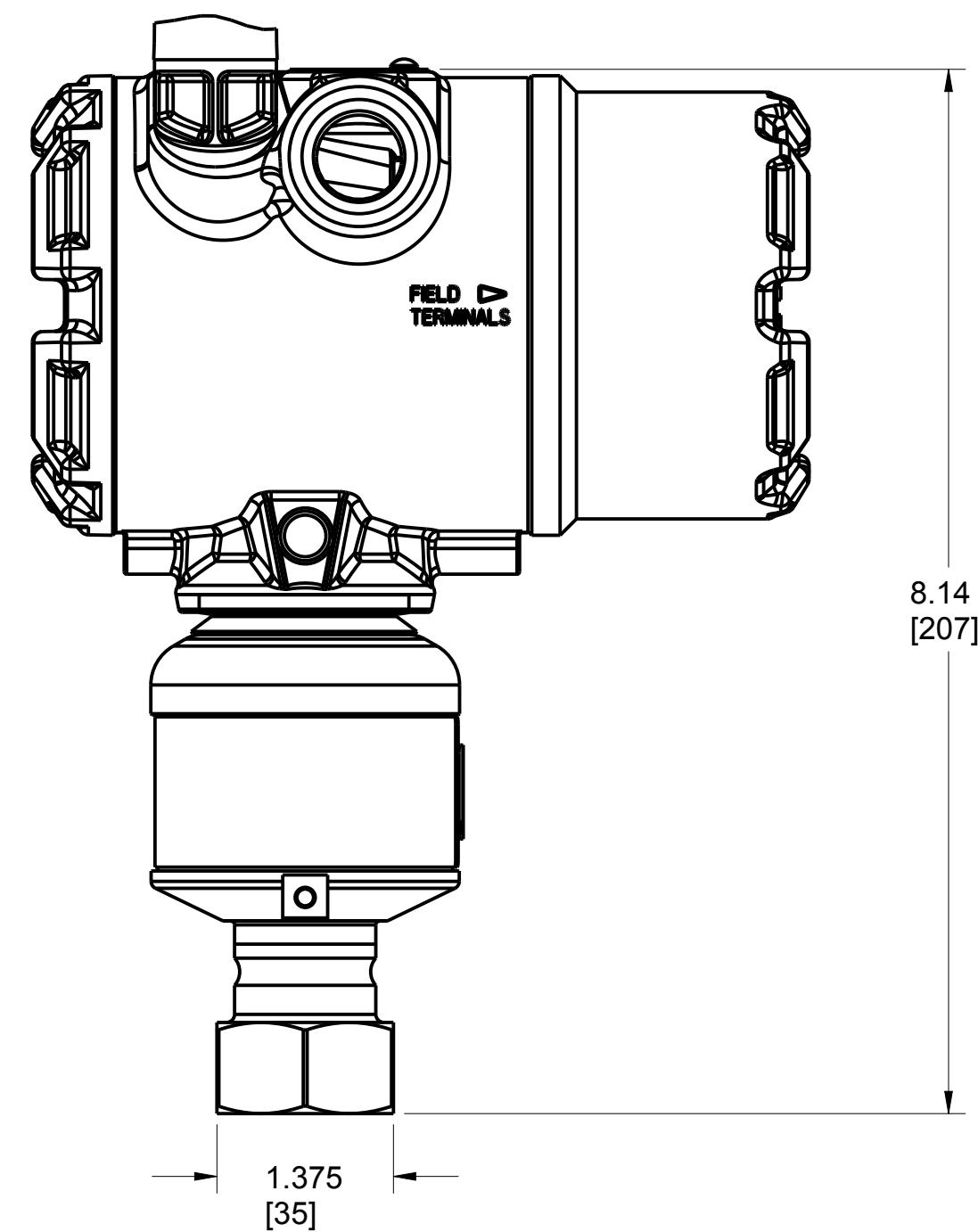
PRESSURE RANGE OPTION 5A



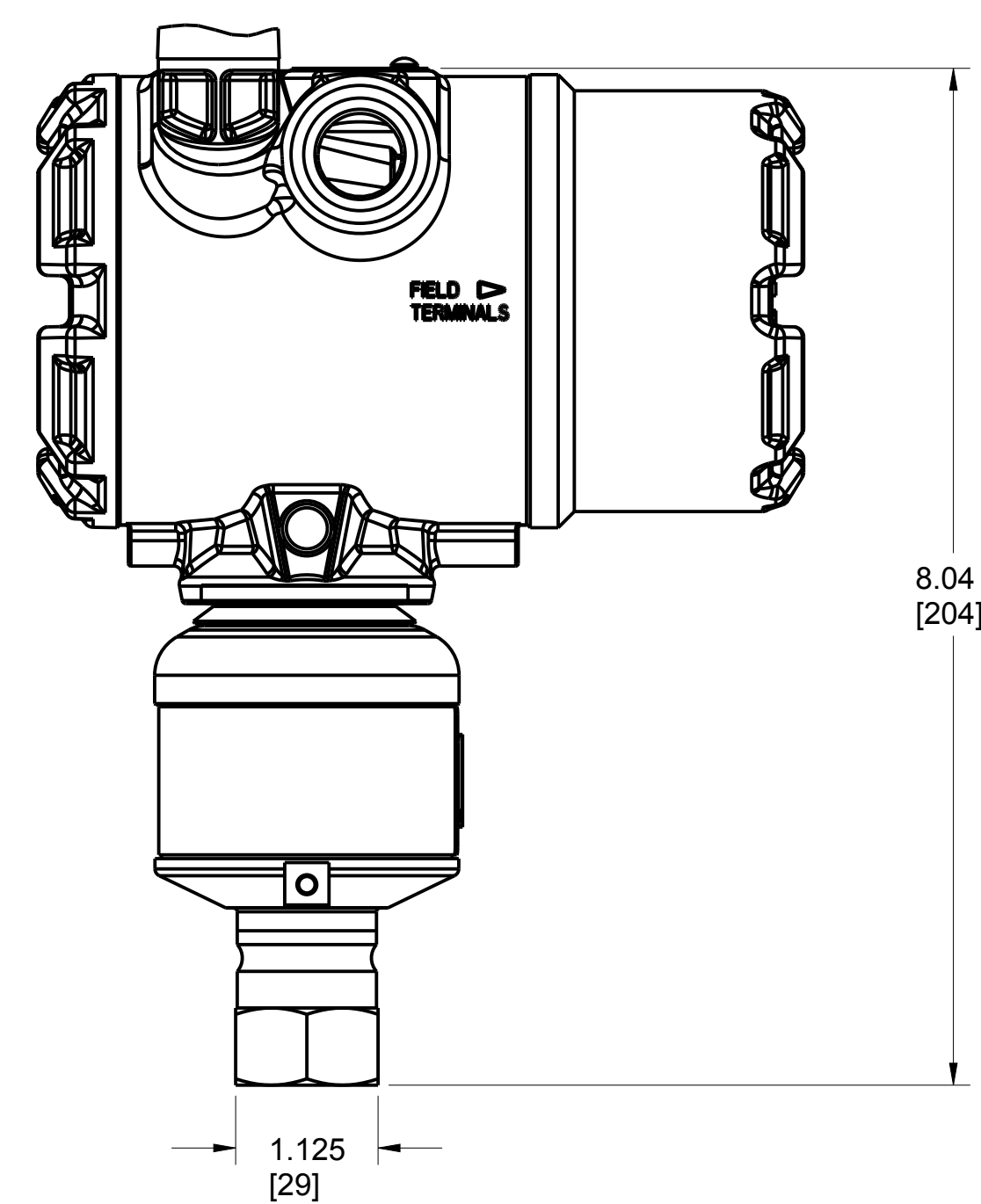
PRESSURE RANGE OPTION 1A-4A



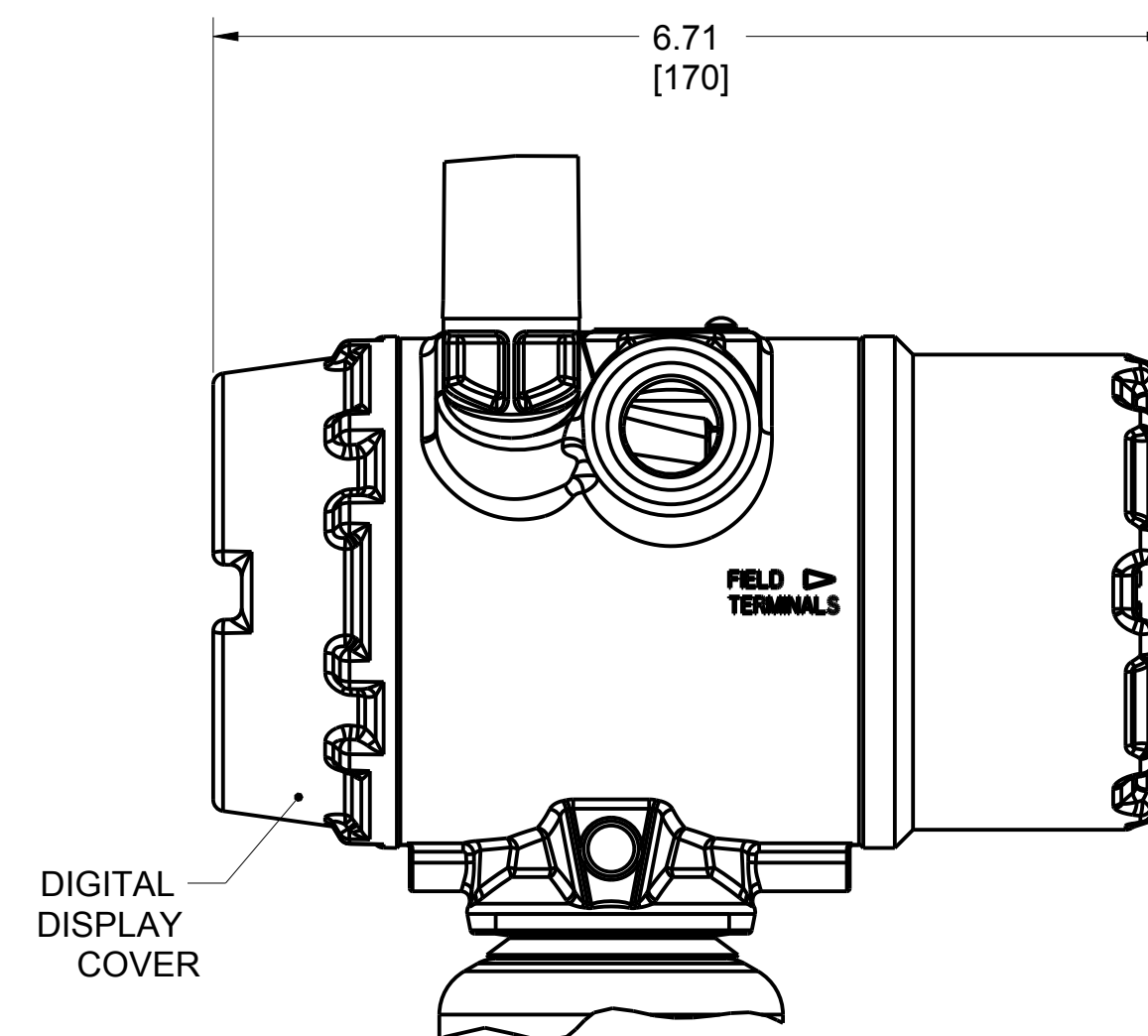
PRESSURE RANGE OPTION 5A



PRESSURE RANGE OPTION 1A-4A



SHOWN WITH OPTIONAL DIGITAL DISPLAY



©2015 ROSEMOUNT INC. ROSEMOUNT INC. CERTIFIES THIS DRAWING AS BEING IN ACCORDANCE WITH THE ROSEMOUNT ENGINEERING SPECIFICATIONS. UNIT NOTES IN INCHES (mm). REFERENCE ROSEMOUNT PRODUCT SPECIFICATIONS. CLICK HERE	3RD ANGLE	SIZE D	SCALE NTS
	TITLE ROSEMOUNT 3051S IN-LINE TYPE I DRAWING		
	DR. J. ARMSTRONG 1/16/16 APP'D: MATHIASON 1/16/16	DRAWING NO. 03151-6001	SHEET 2 OF 14

ROSEMOUNT 3051S PRESSURE TRANSMITTER WITH QUICK CONNECT HOUSING
1/2-14 NPT FEMALE PROCESS CONNECTION

STAINLESS STEEL PROCESS WETTED

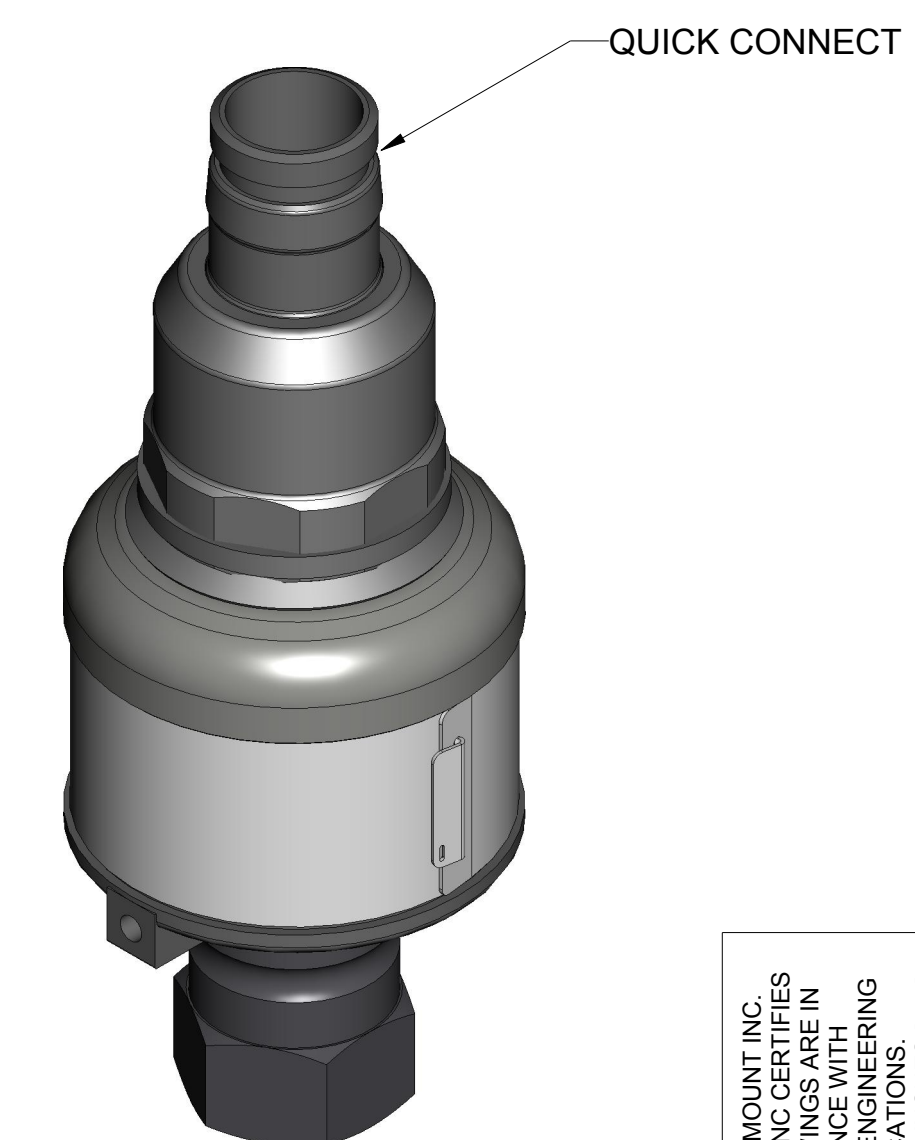
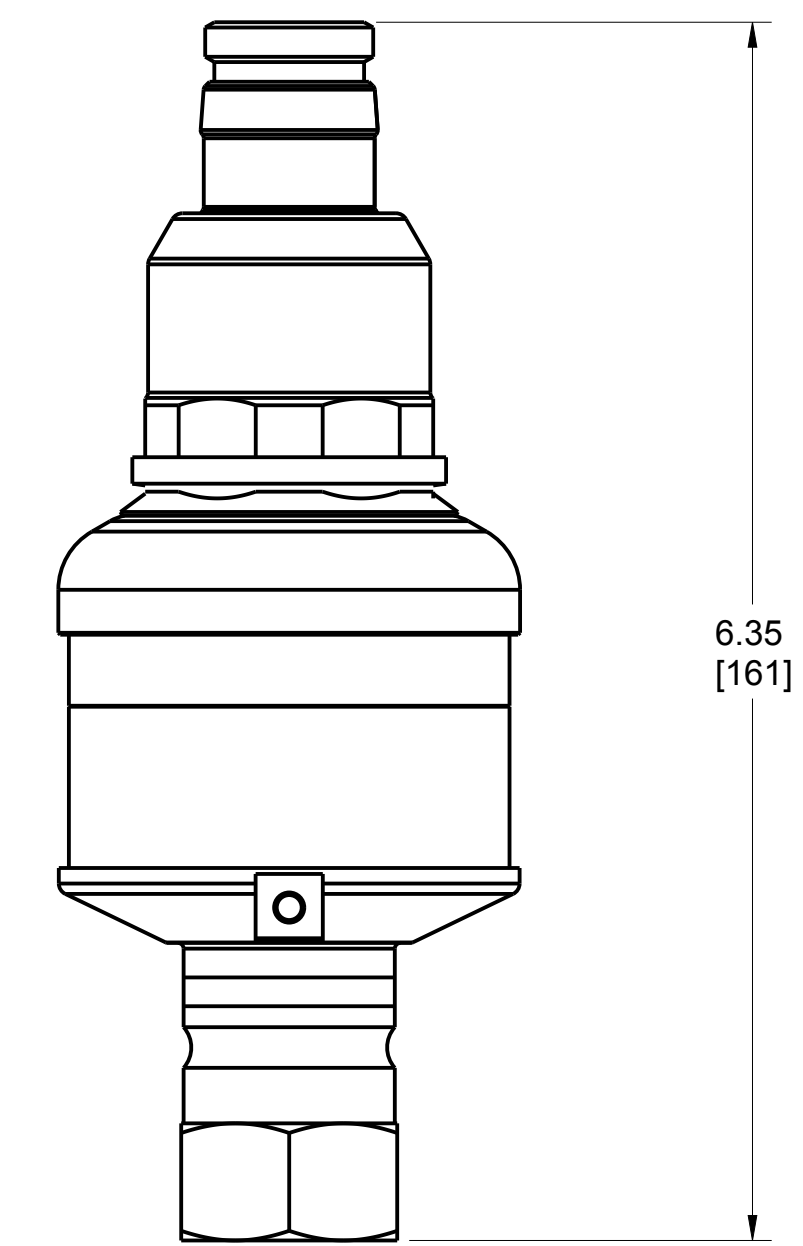
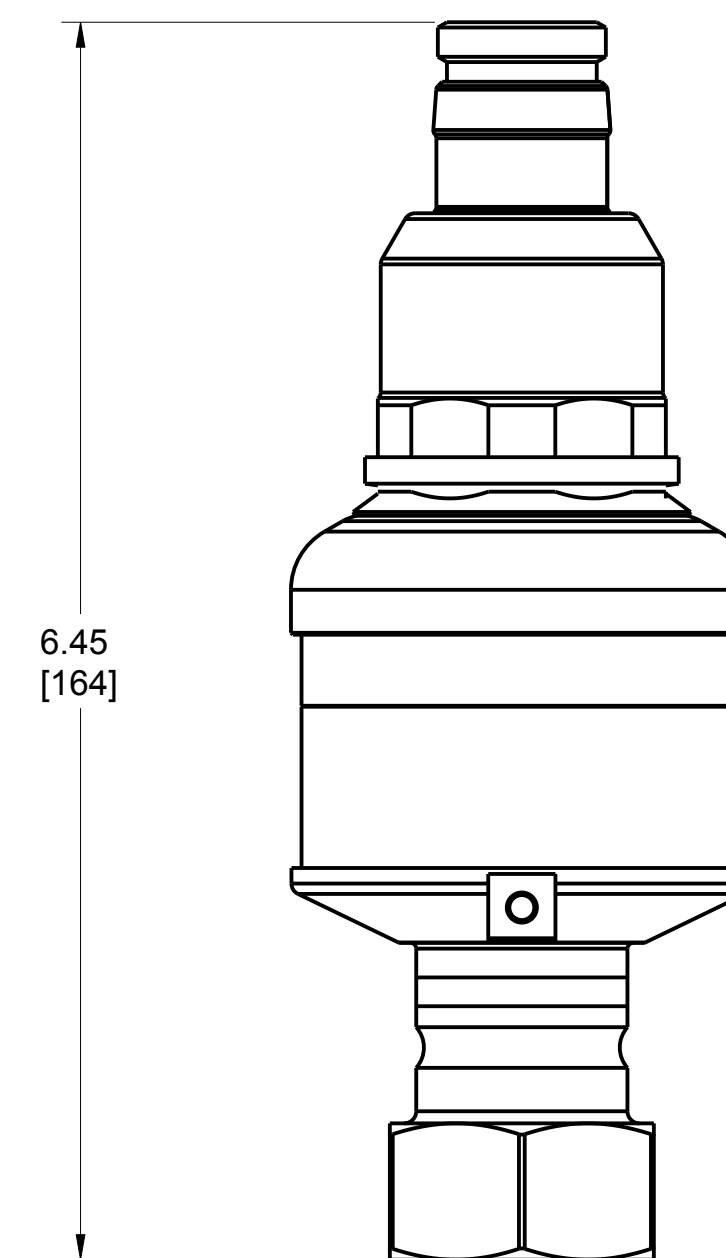
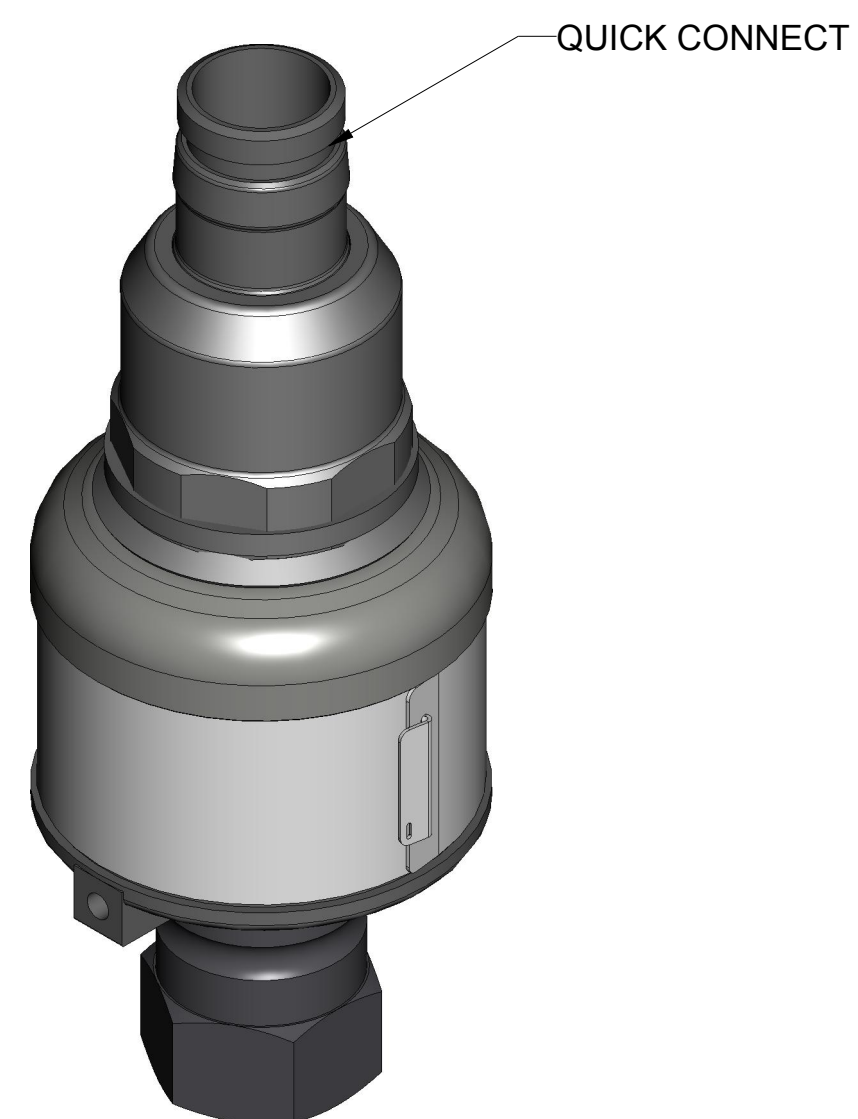
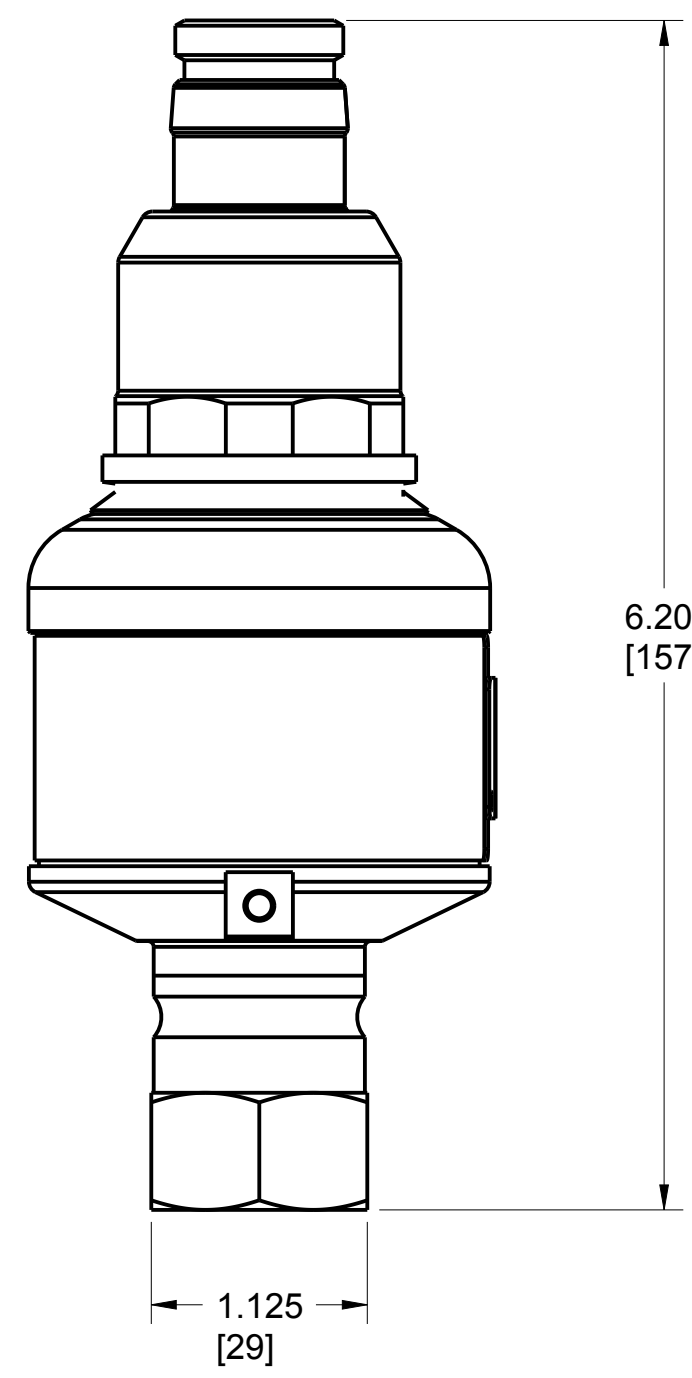
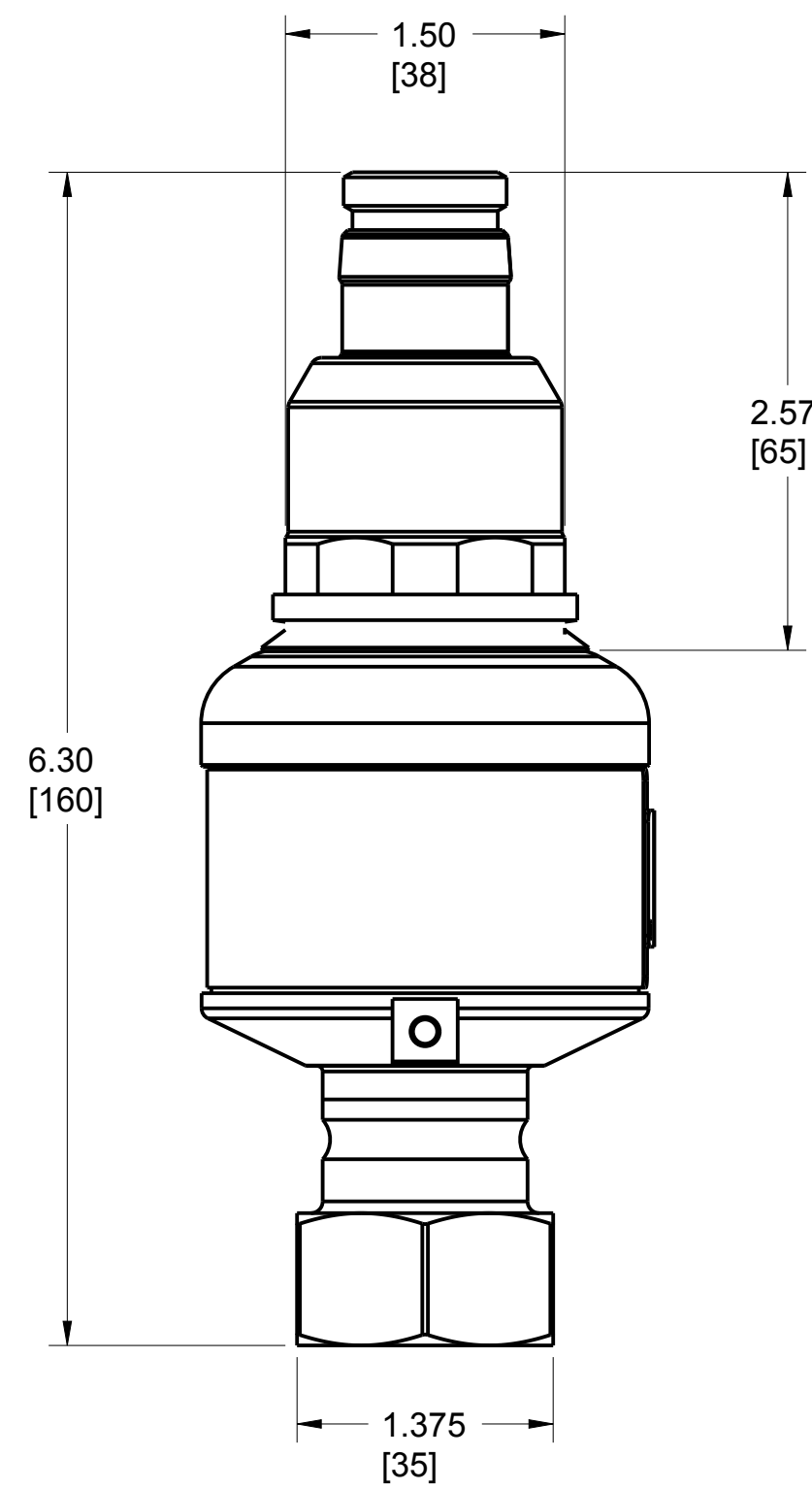
ALLOY C-276 PROCESS WETTED

PRESSURE RANGE OPTION 5A

PRESSURE RANGE OPTION 1A-4A

PRESSURE RANGE OPTION 5A

PRESSURE RANGE OPTION 1A-4A



©2015 ROSEMOUNT INC.
ROSEMOUNT INC. CERTIFIES
THIS DRAWING IS MADE IN
ACCORDANCE WITH
ROSEMOUNT ENGINEERING
SPECIFICATIONS.
UNIT NOTES IN INCHES (mm).
REFERENCE ROSEMOUNT
PRODUCT SPECIFICATIONS.
CLICK HERE

3RD ANGLE

EMERSON

TITLE ROSEMOUNT 3051S IN-LINE
TYPE I DRAWING

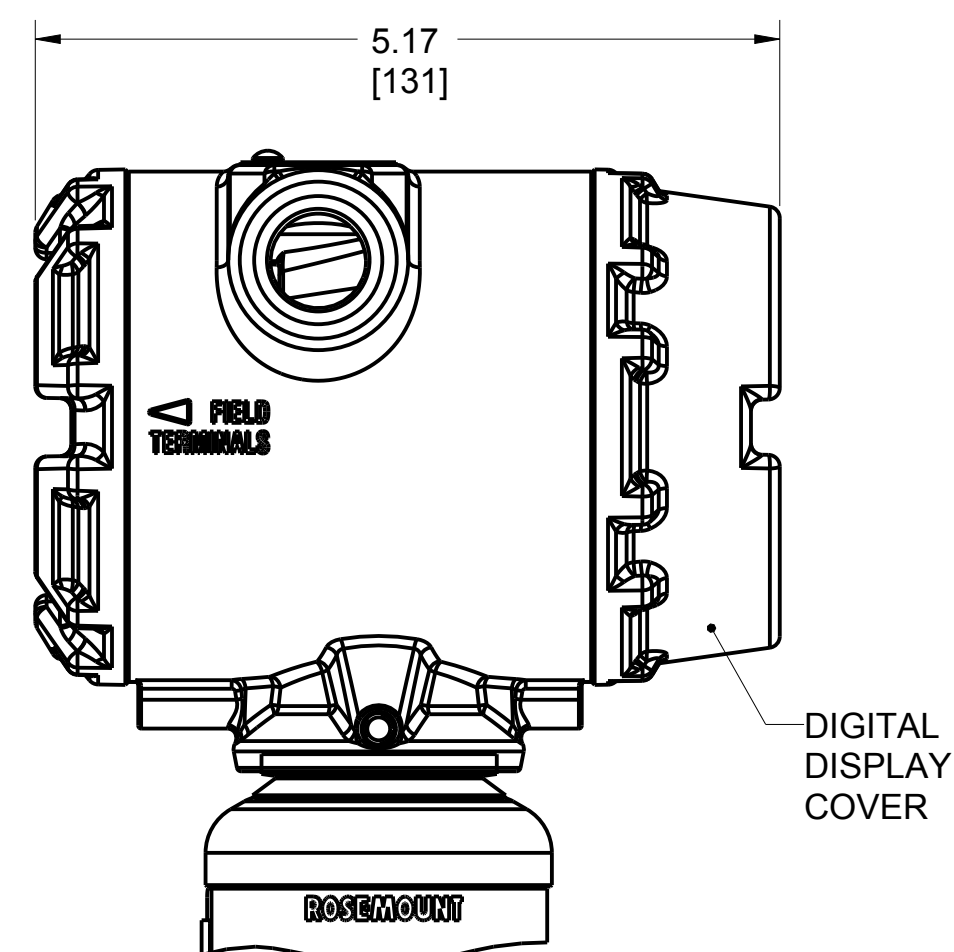
DR. J. ARMSTRONG	1/16/16	DRAWING NO.	03151-6001
APPROV. MATHIASON	1/16/16		

CAD MAINTAINED, (PROE) SHEET 3 OF 14

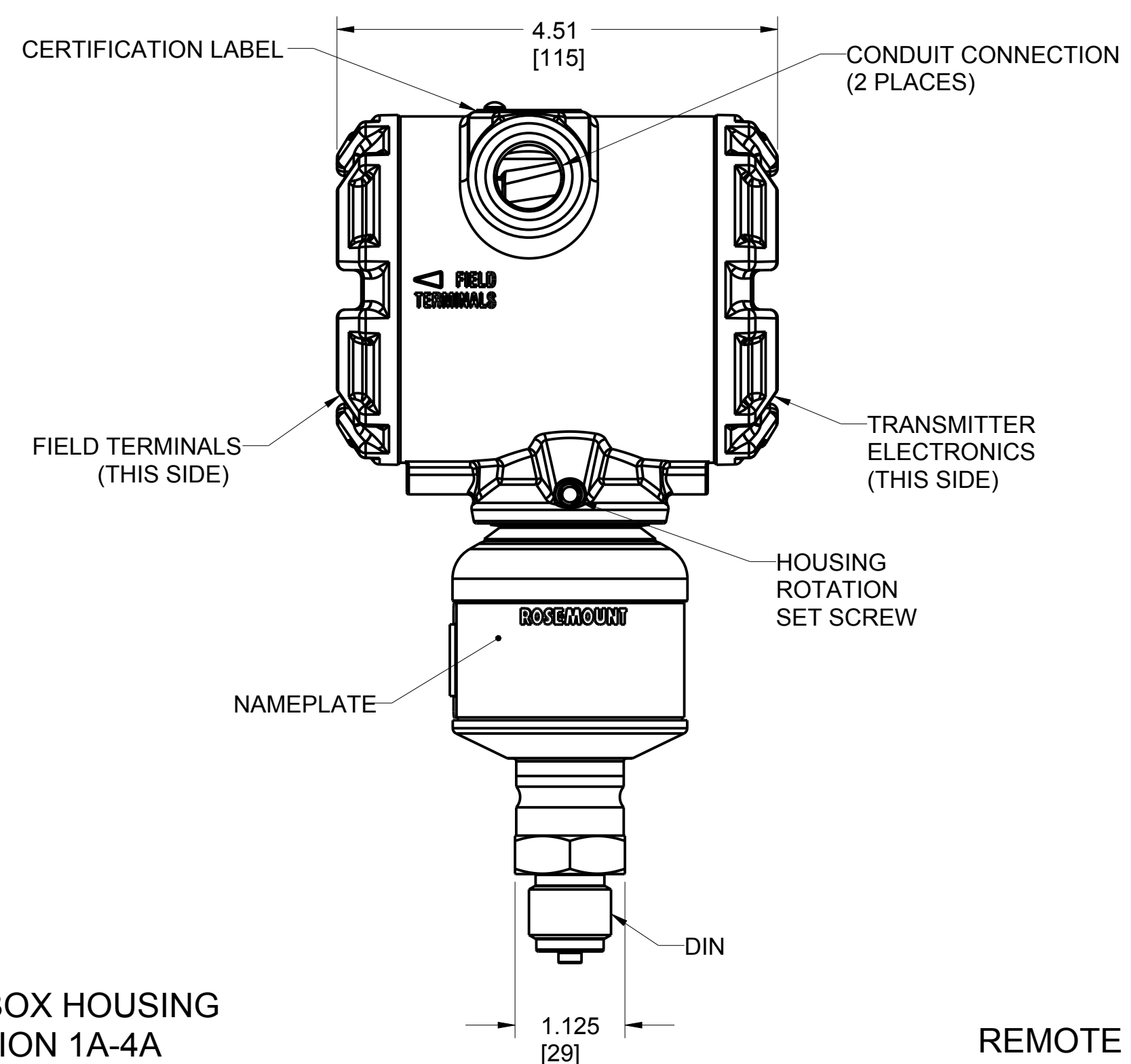
ROSEMOUNT 3051S SCALABLE IN-LINE PRESSURE TRANSMITTER
G 1/2 A DIN 16288 MALE PROCESS CONNECTION

STAINLESS STEEL PROCESS WETTED

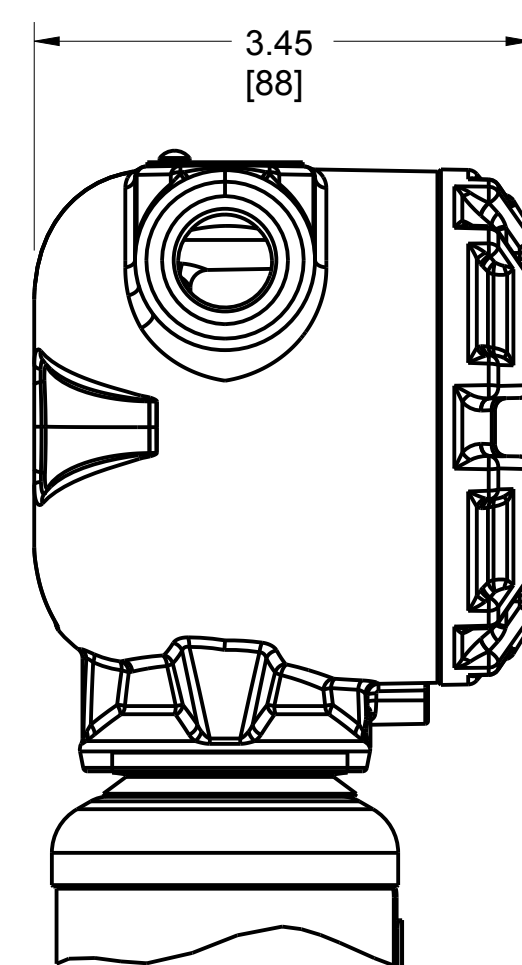
PLANTWEB HOUSING
SHOWN WITH OPTIONAL DIGITAL DISPLAY



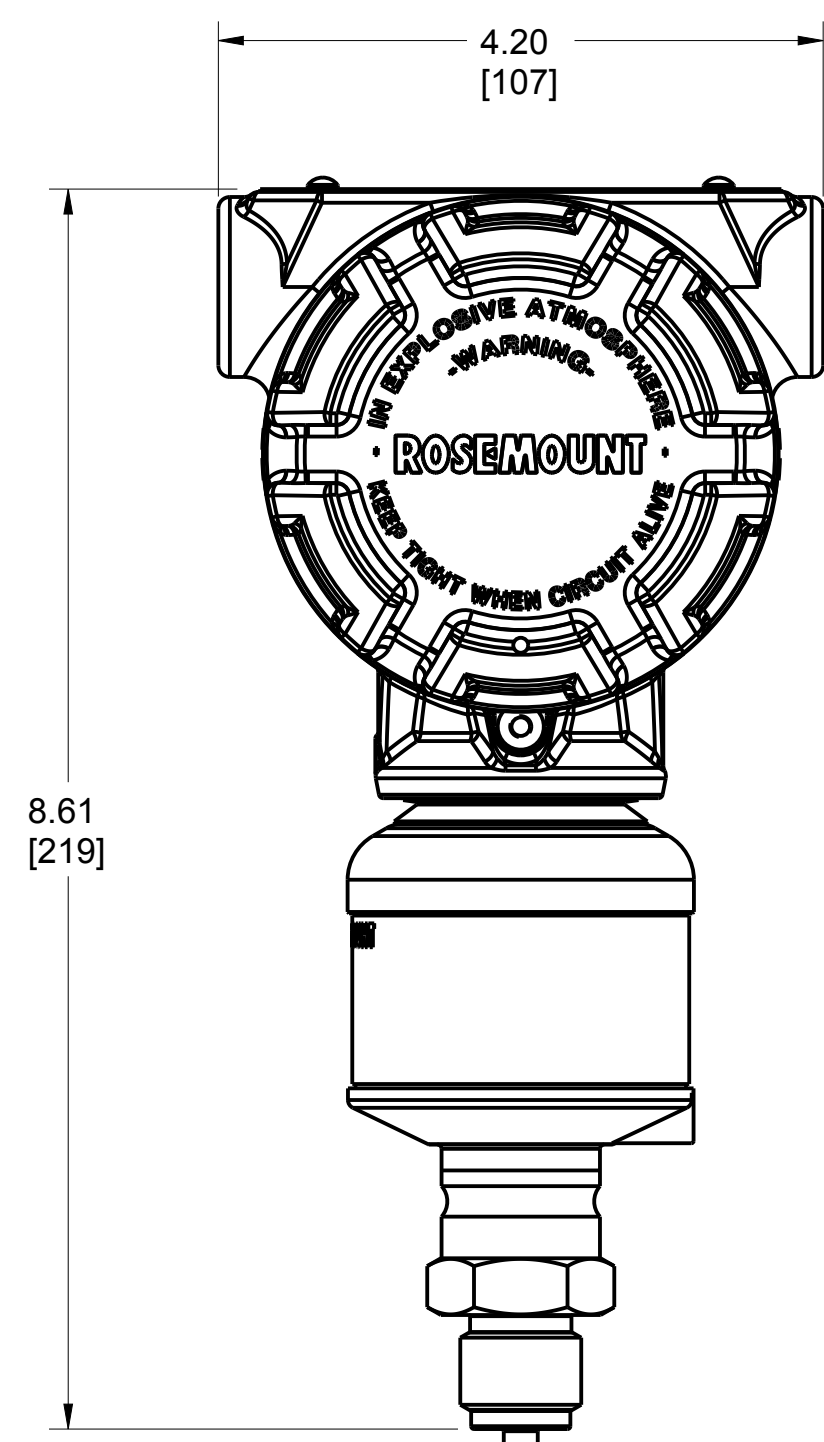
PLANTWEB HOUSING



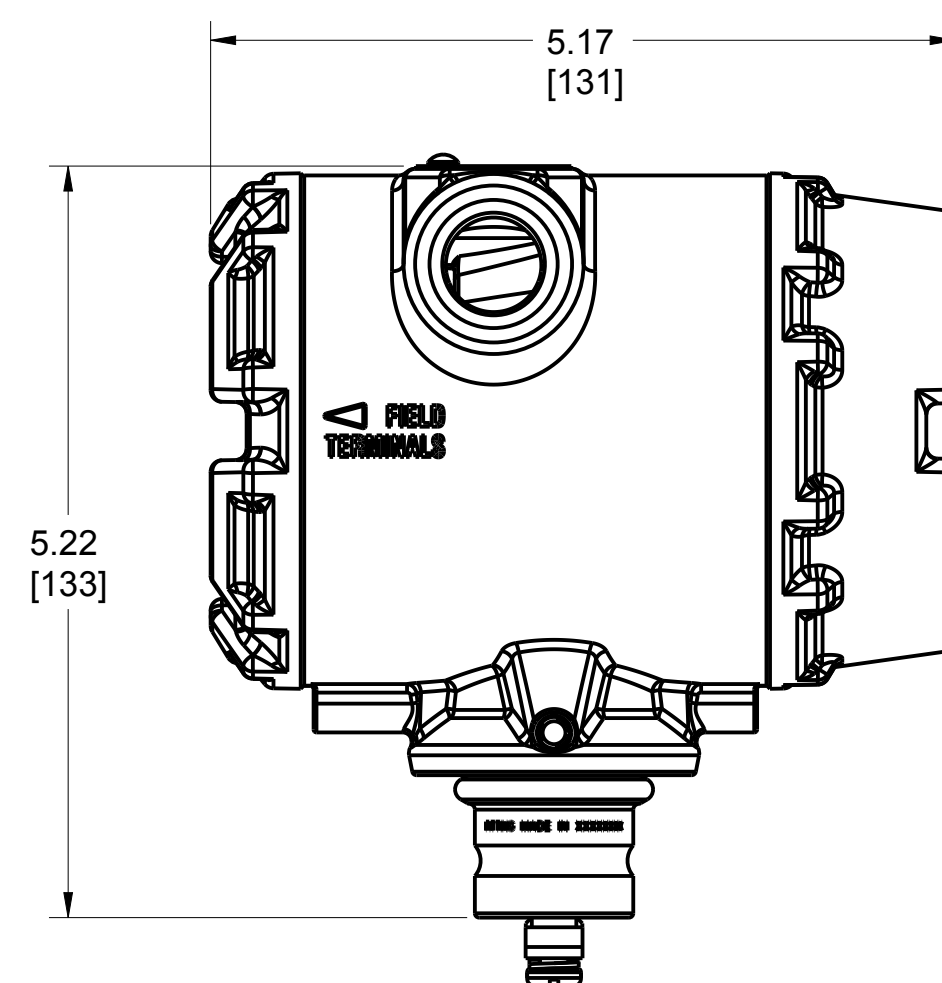
JUNCTION BOX HOUSING



PLANTWEB OR JUNCTION BOX HOUSING
PRESSURE RANGE OPTION 1A-4A

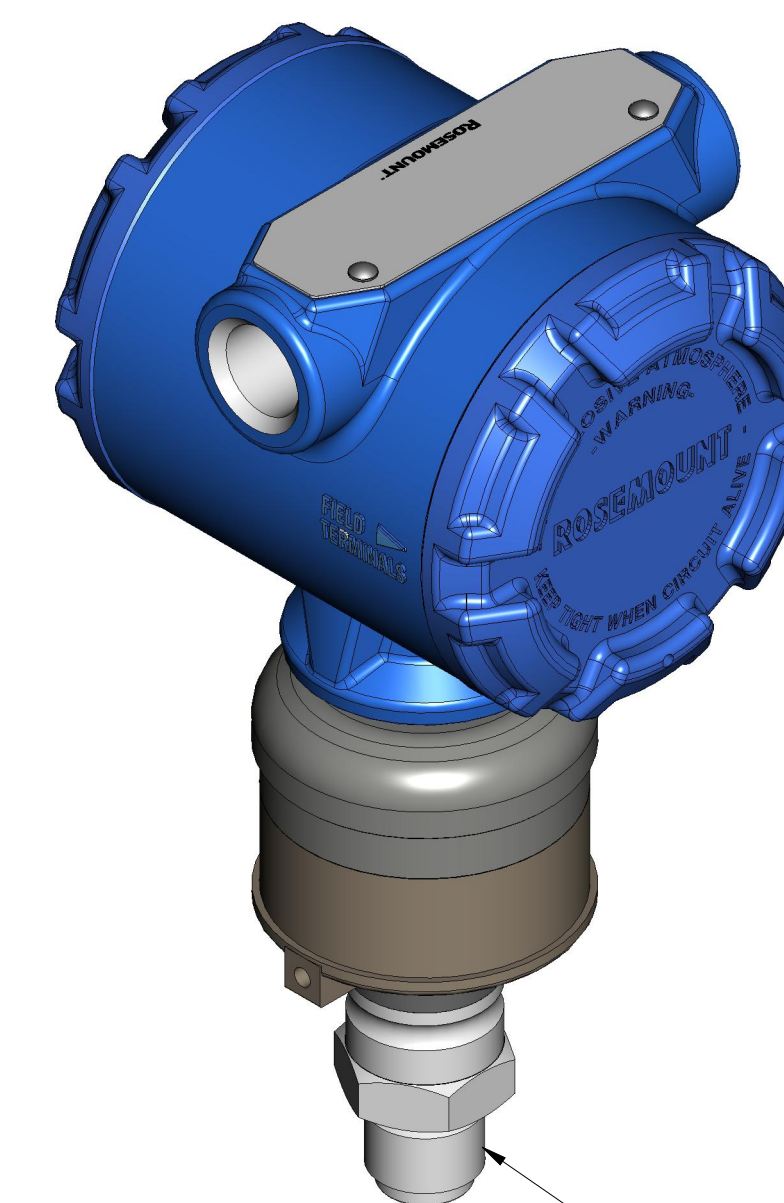
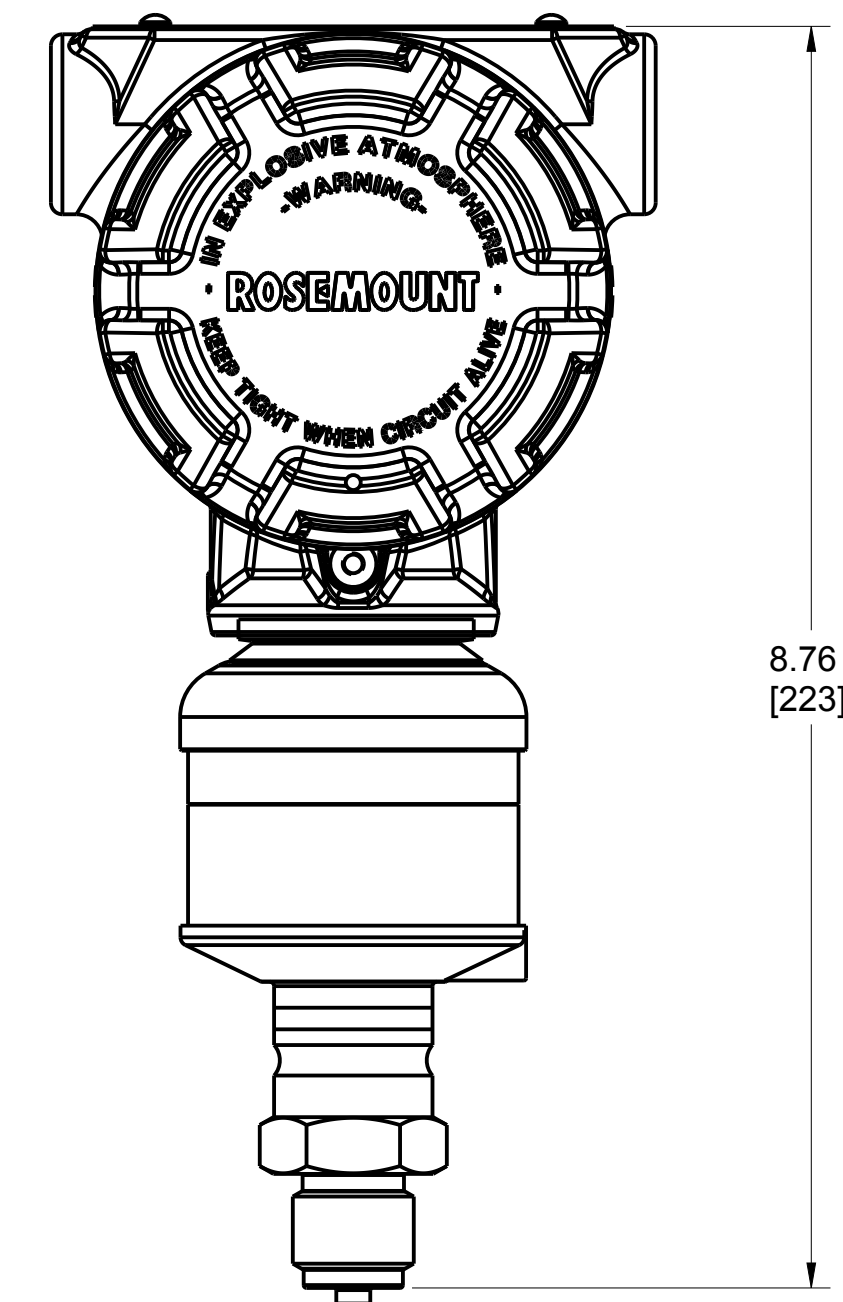


REMOTE METER OPTION



ALLOY C-276 PROCESS WETTED
PLANTWEB OR JUNCTION BOX HOUSING

PRESSURE RANGE OPTION 1A-4A

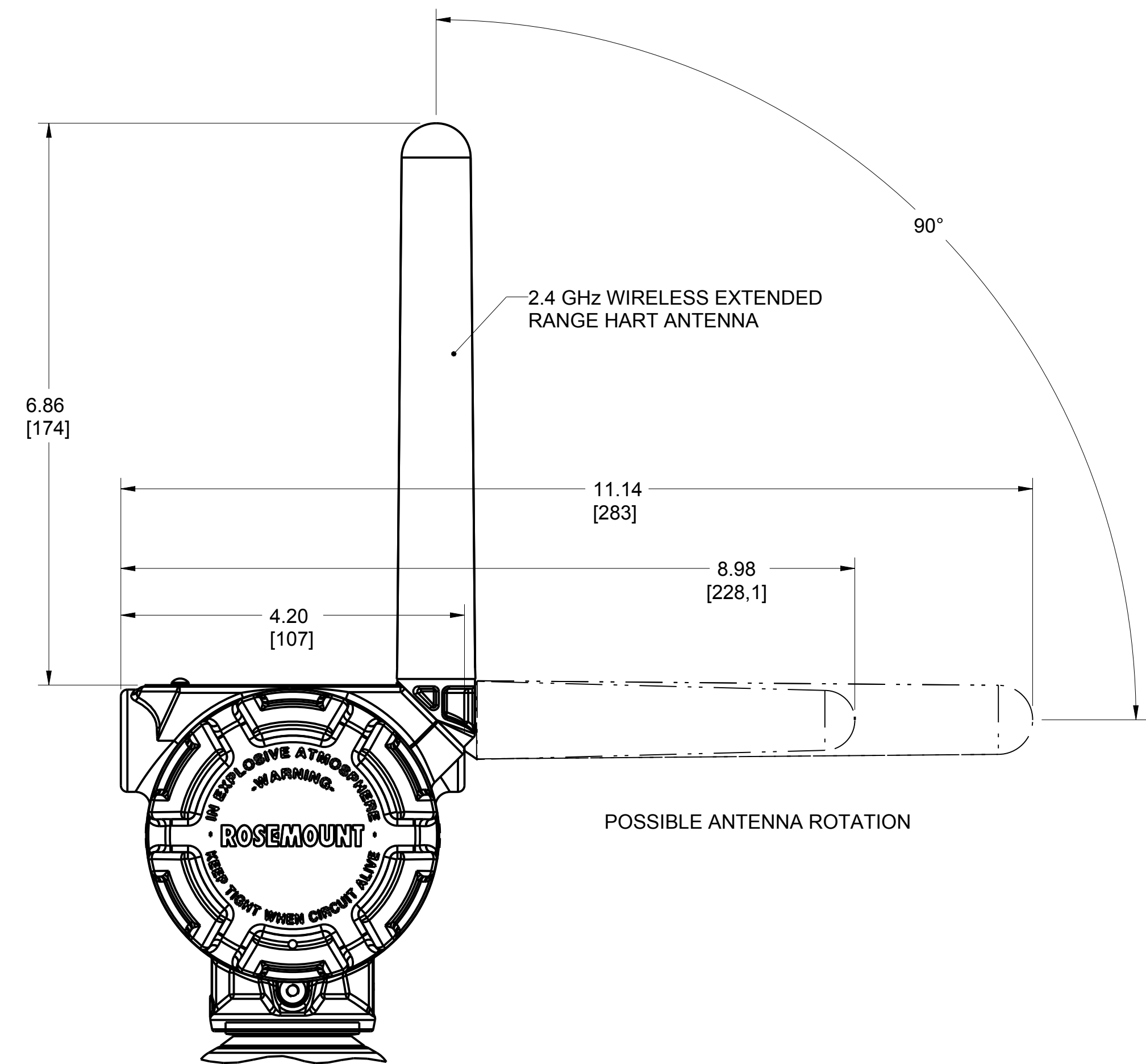


©2015 ROSEMOUNT INC. ROSEMOUNT INC. CERTIFIES THIS DRAWING TO BE IN ACCORDANCE WITH ROSEMOUNT ENGINEERING SPECIFICATIONS. UNIT NOTES IN INCHES (mm). REFERENCE ROSEMOUNT PRODUCT SPECIFICATIONS. CLICK HERE	3RD ANGLE	SIZE D	SCALE NTS
	TITLE ROSEMOUNT 3051S IN-LINE TYPE I DRAWING		
	DR. J. ARMSTRONG APP'D: MATHIASON	1/16/16 1/16/16	DRAWING NO. 03151-6001

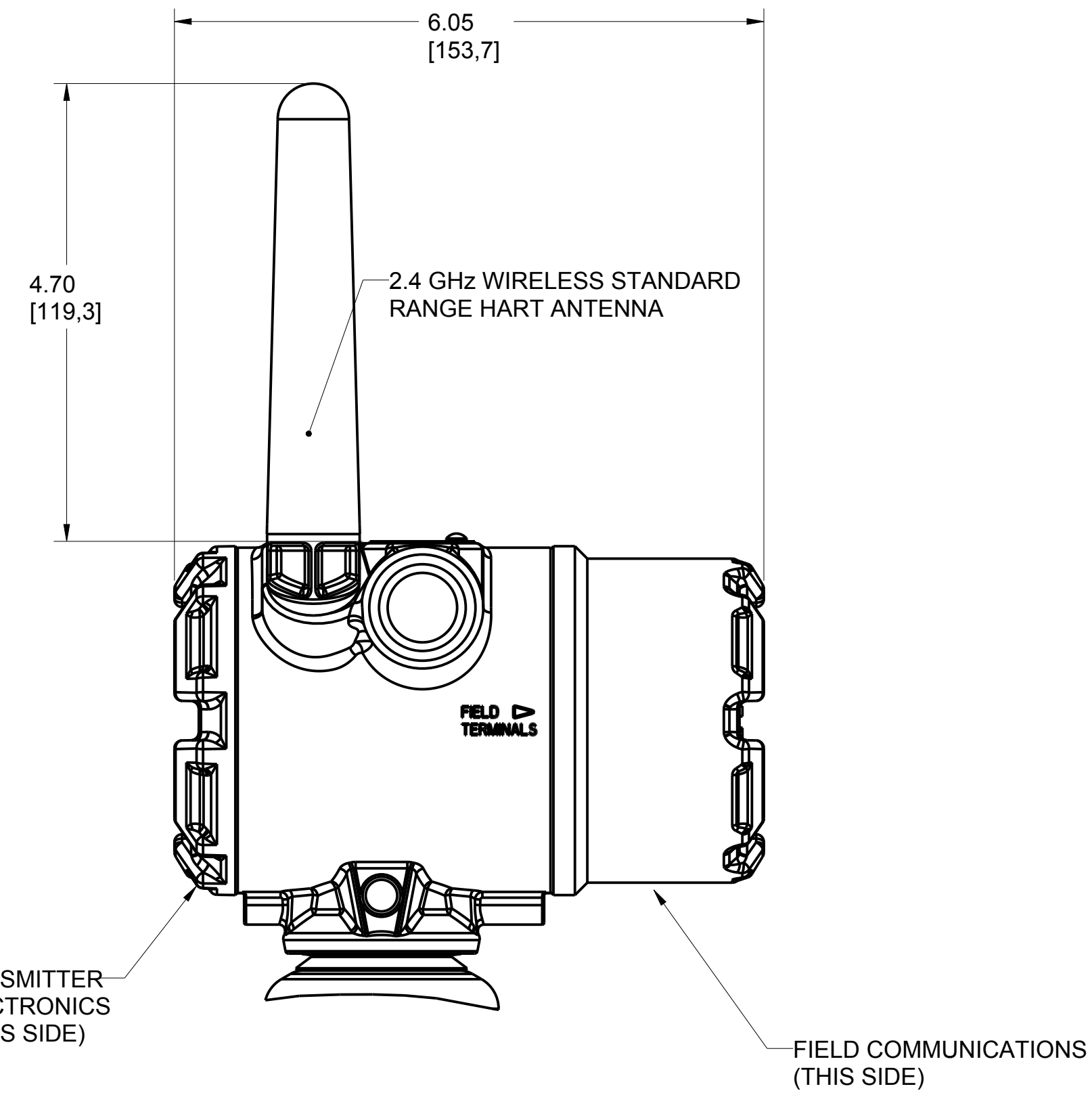
ROSEMOUNT 3051S SCALABLE IN-LINE PRESSURE TRANSMITTER, WIRELESS
G 1/2 A DIN 16288 MALE PROCESS CONNECTION

STAINLESS STEEL PROCESS WETTED

SHOWN WITH 2.4 GHz EXTENDED RANGE ANTENNA

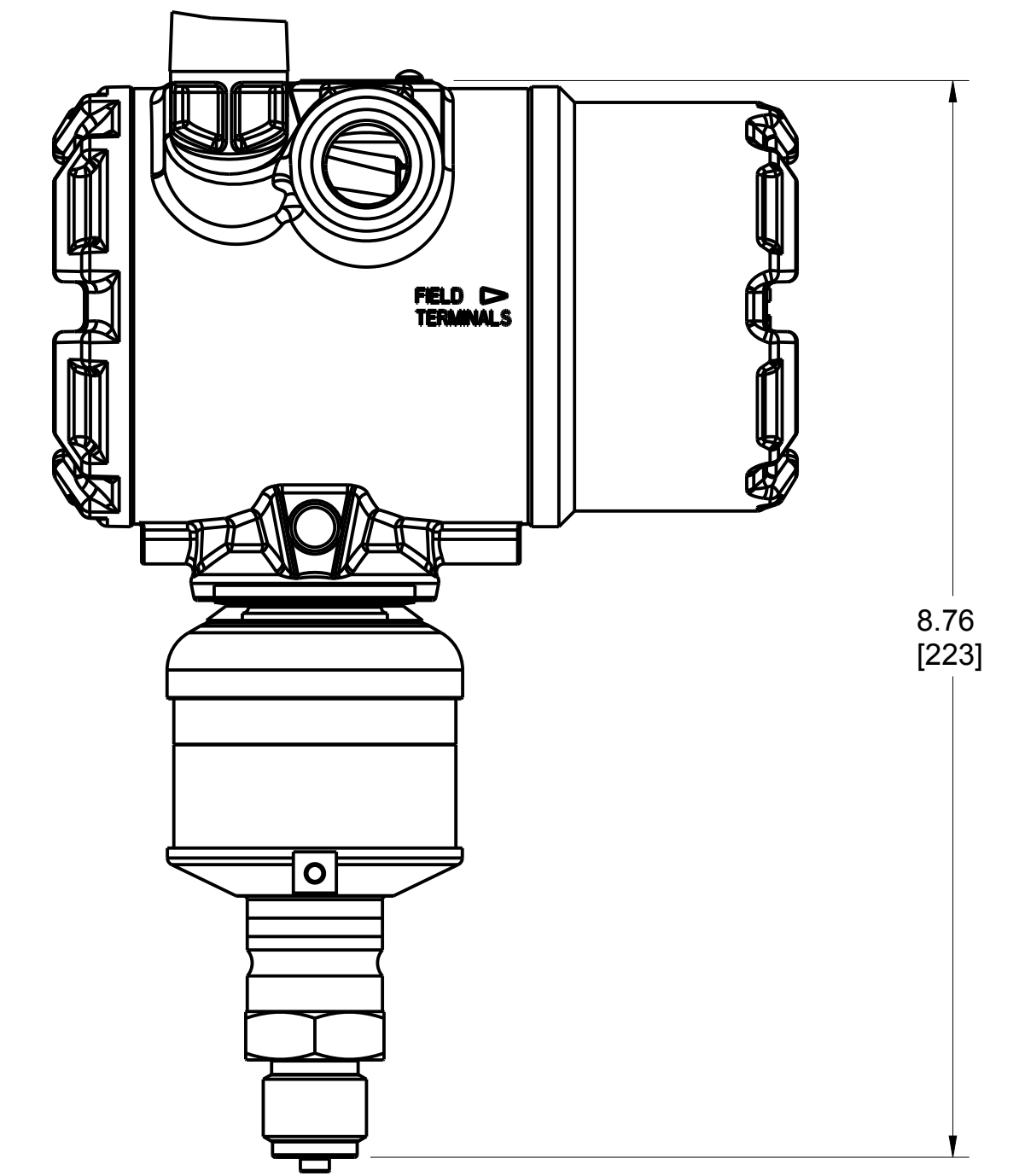


POSSIBLE ANTENNA ROTATION

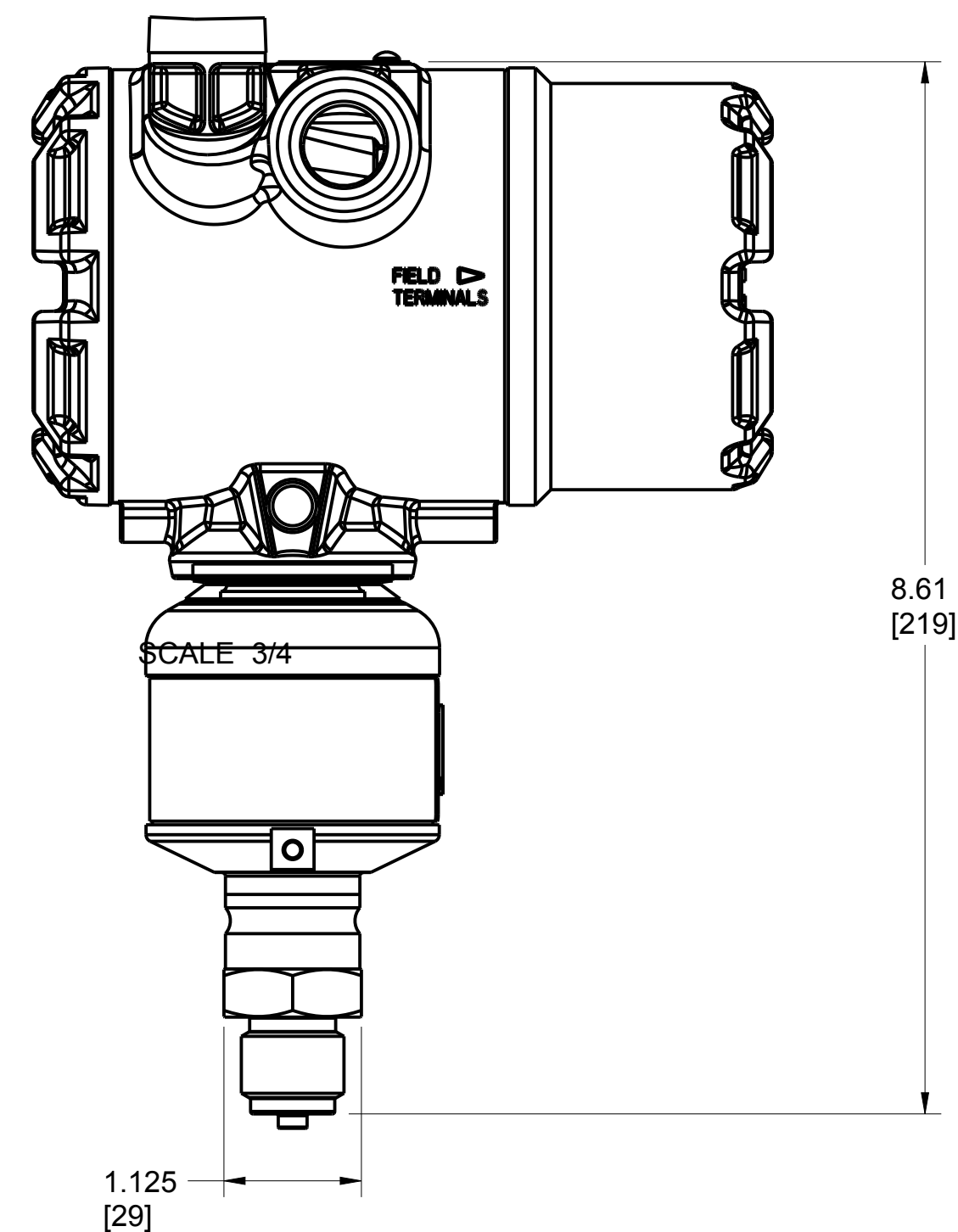


PRESSURE RANGE OPTION 1A-4A

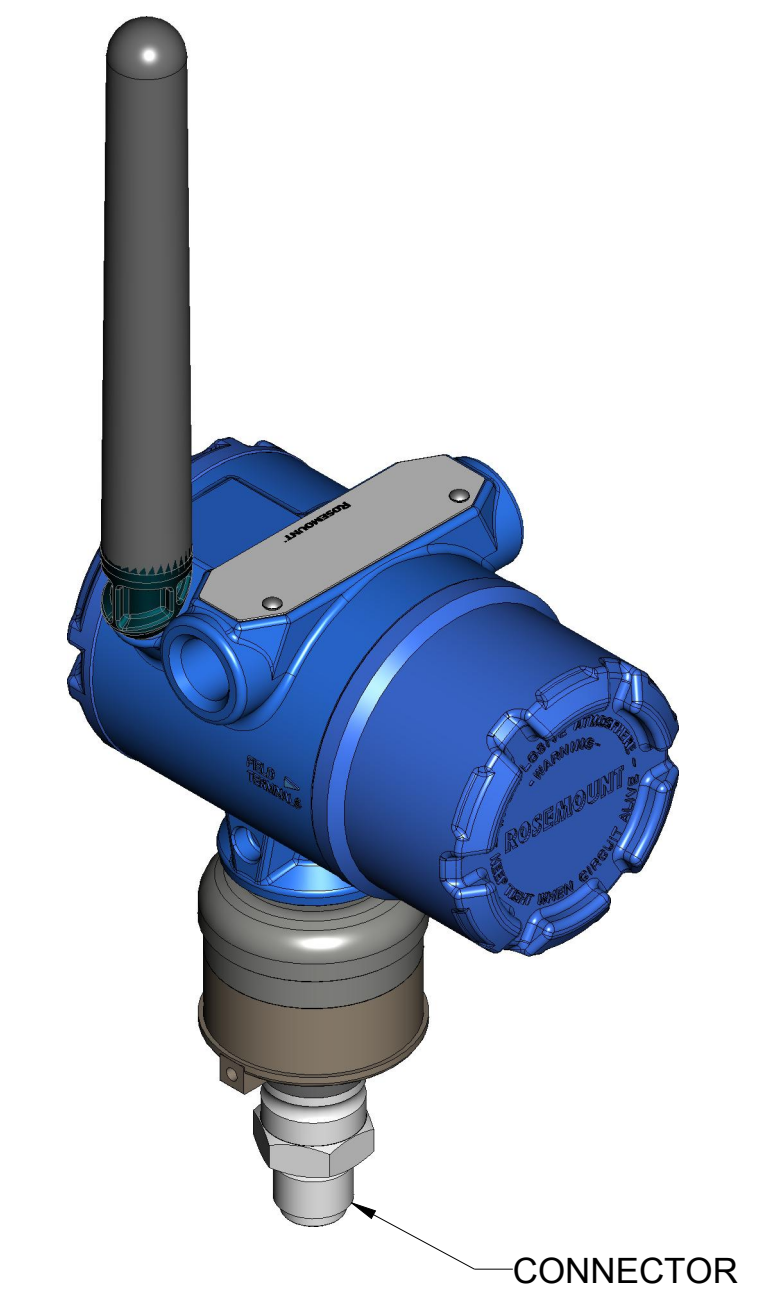
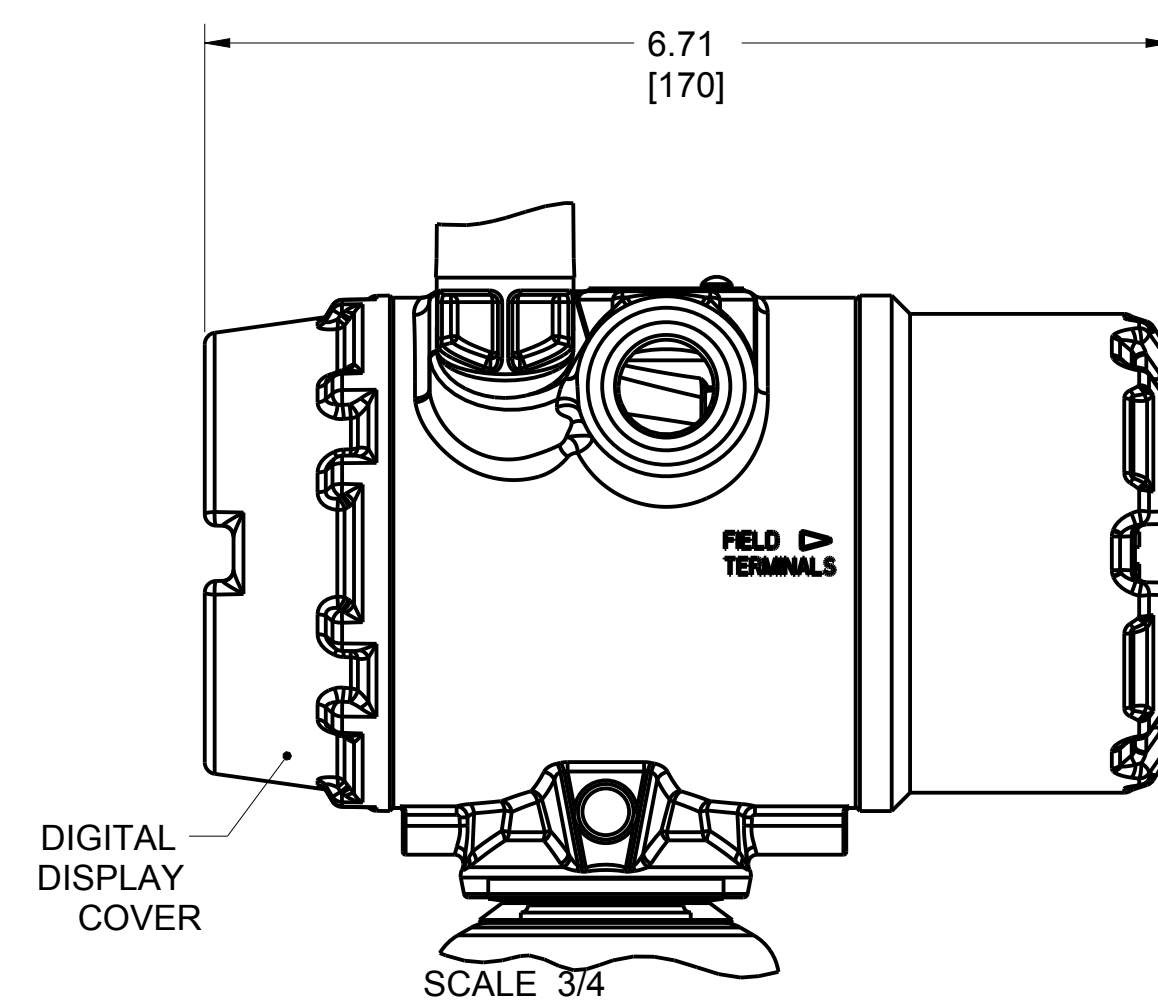
ALLOY C-276 PROCESS WETTED



PRESSURE RANGE OPTION 1A-4A



SHOWN WITH OPTIONAL DIGITAL DISPLAY

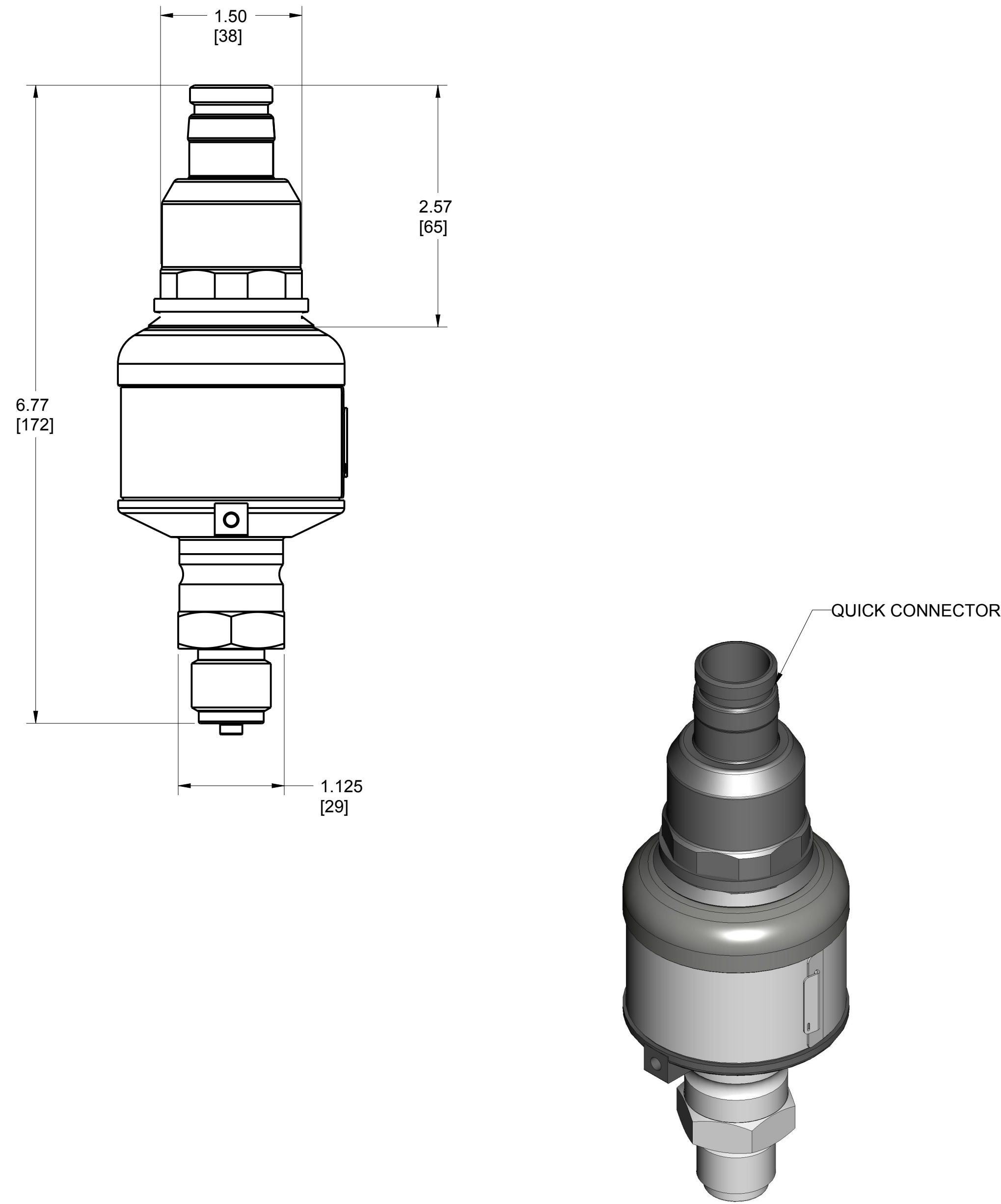


©2015 ROSEMOUNT INC. ROSEMOUNT INC. CERTIFIES THIS DRAWING IS MADE IN ACCORDANCE WITH ROSEMOUNT ENGINEERING SPECIFICATIONS. UNIT NOTES IN INCHES (mm). REFERENCE ROSEMOUNT PRODUCT SPECIFICATIONS. CLICK HERE	3RD ANGLE	SIZE D	SCALE NTS
	TITLE ROSEMOUNT 3051S IN-LINE TYPE I DRAWING		
	DR. J. ARMSTRONG APP'D: MATHIASON	1/16/16 1/16/16	DRAWING NO. 03151-6001

ROSEMOUNT 3051S PRESSURE TRANSMITTER WITH QUICK CONNECT HOUSING
G 1/2 A DIN 16288 MALE PROCESS CONNECTION

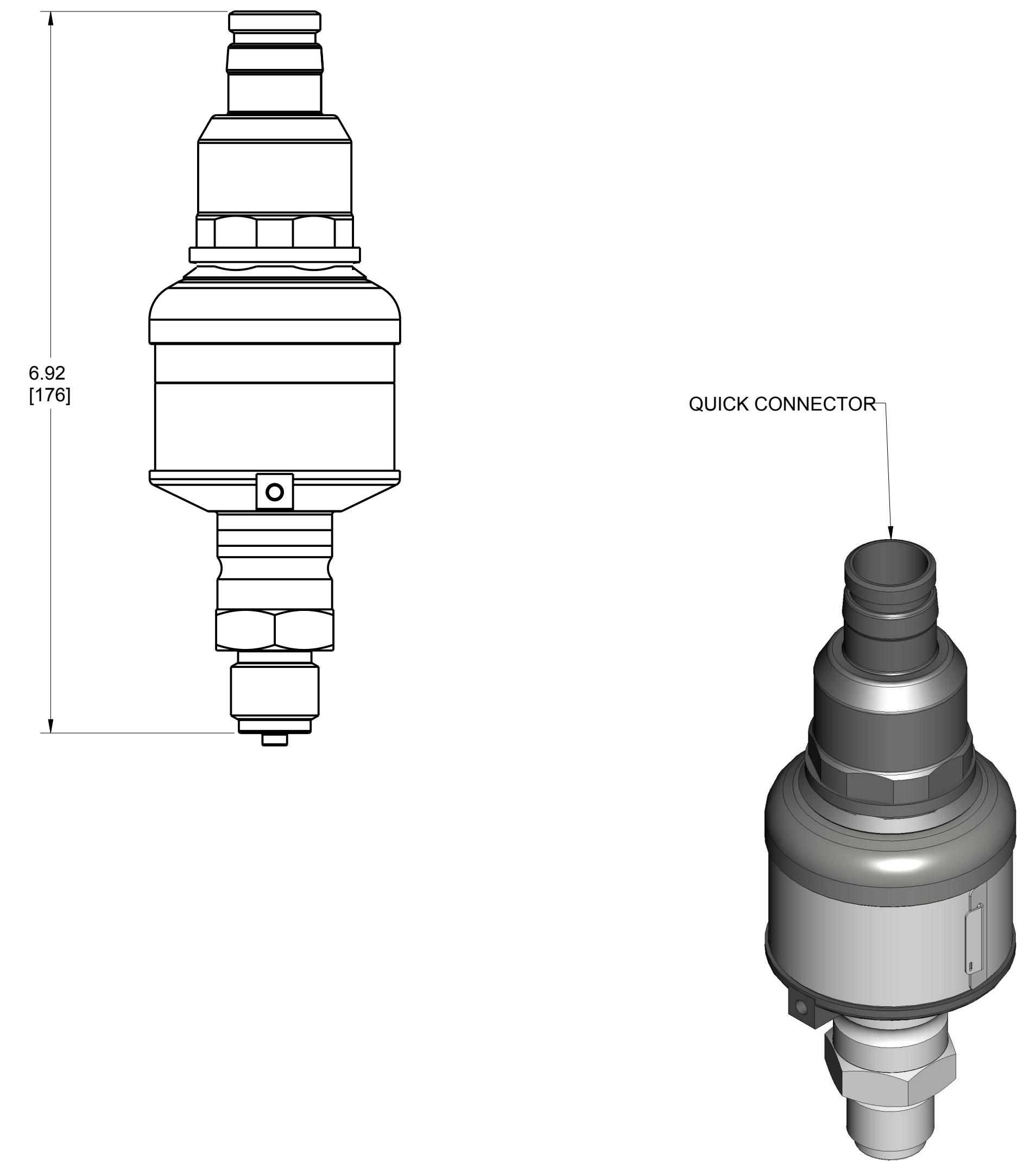
STAINLESS STEEL PROCESS WETTED

PRESSURE RANGE OPTION 1A-4A



ALLOY C-276 PROCESS WETTED

PRESSURE RANGE OPTION 1A-4A



©2015 ROSEMOUNT INC.
ROSEMOUNT INC. CERTIFIES
THIS DRAWING IS IN
ACCORDANCE WITH
ROSEMOUNT ENGINEERING
SPECIFICATIONS.
UNIT NOTES IN INCHES (mm).
REFERENCE ROSEMOUNT
PRODUCT SPECIFICATIONS.
CLICK HERE

EMERSON

TITLE ROSEMOUNT 3051S IN-LINE
TYPE I DRAWING

DR. J. ARMSTRONG	1/16/16	DRAWING NO.	03151-6001
APP'D: MATHIASON	1/16/16		

CAD MAINTAINED, (PROE) SHEET 6 OF 14

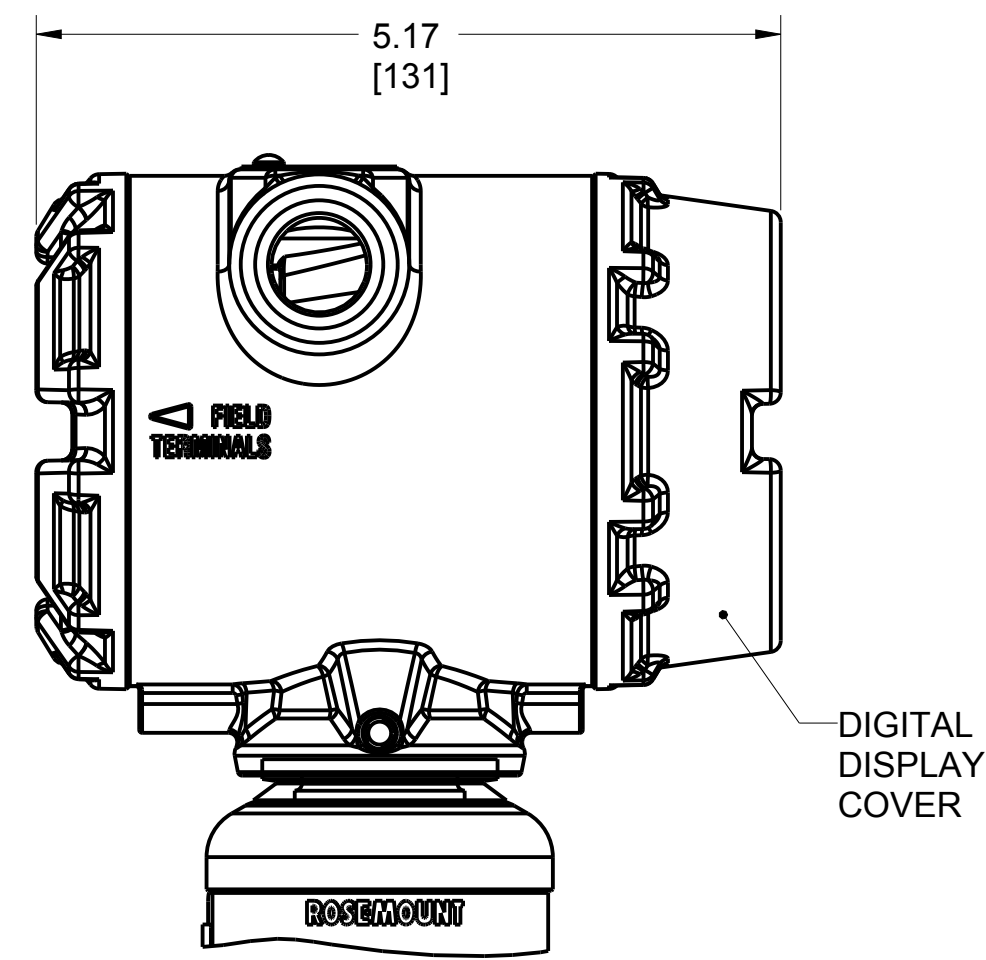
ROSEMOUNT 3051S SCALABLE IN-LINE PRESSURE TRANSMITTER
NON-THREADED INSTRUMENT FLANGE PROCESS CONNECTION

STAINLESS STEEL PROCESS WETTED

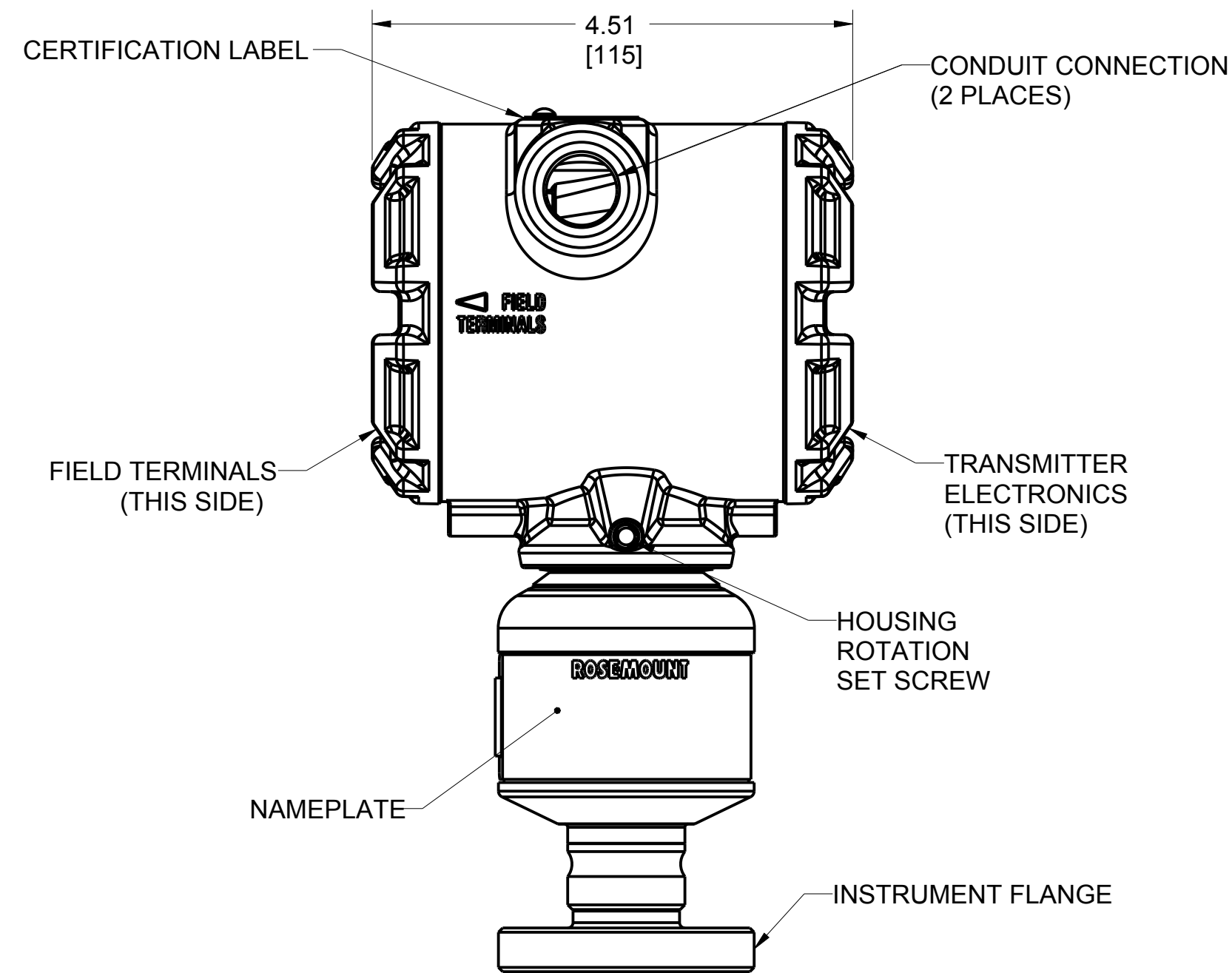
ALLOY C-276 PROCESS WETTED
PLANTWEB OR JUNCTION BOX HOUSING

PRESSURE RANGE OPTION 1A-4A

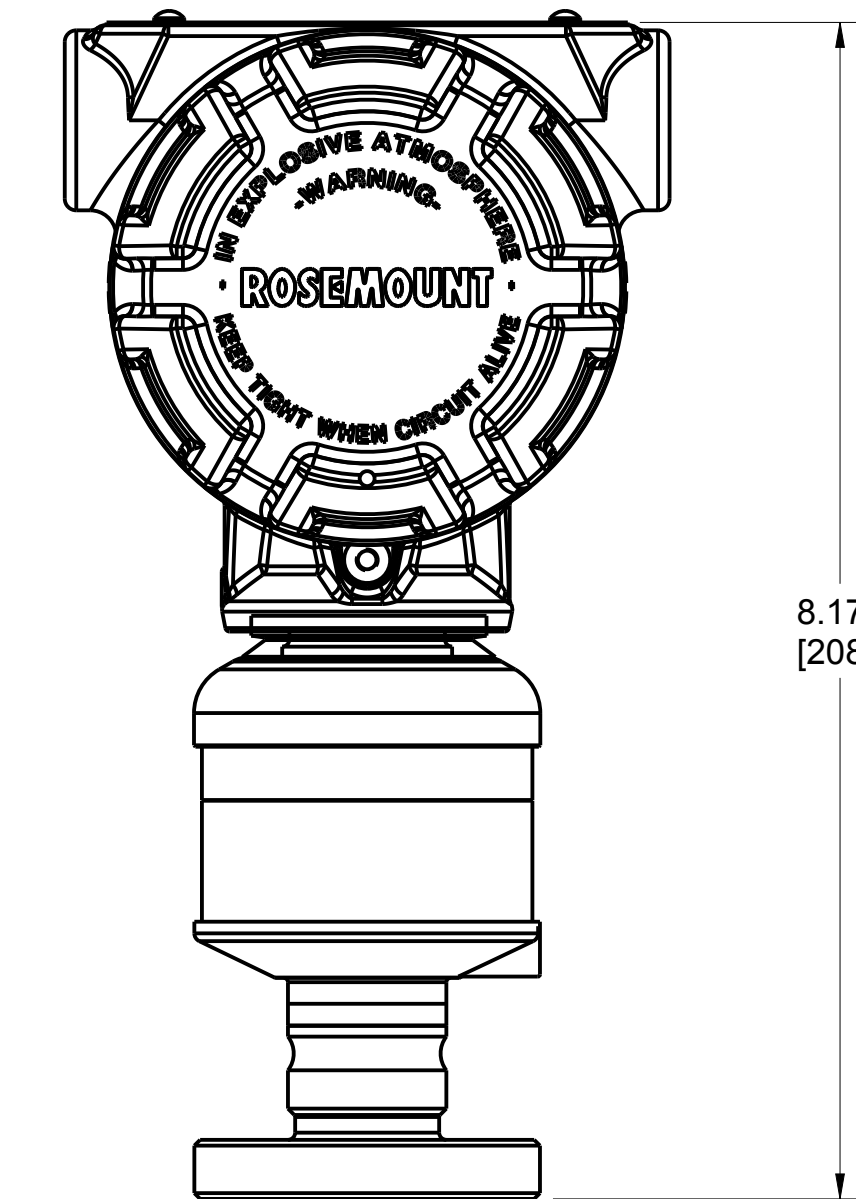
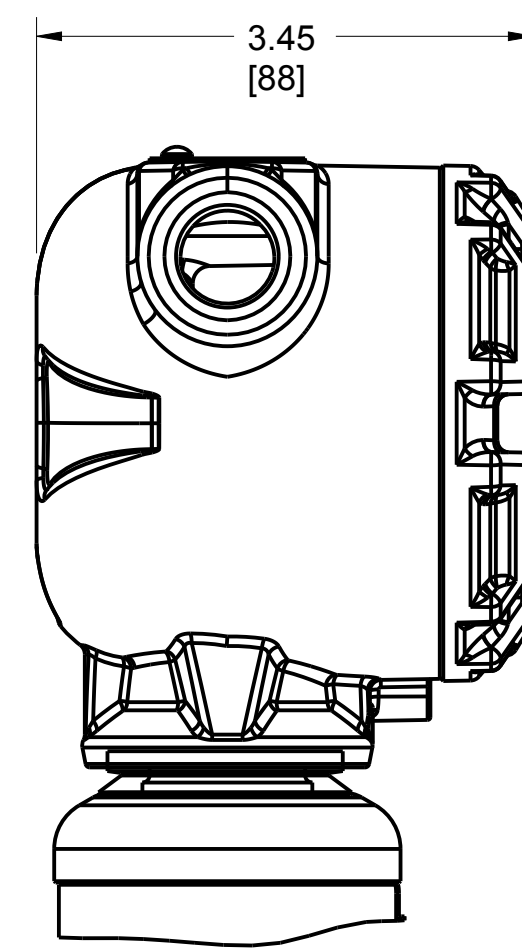
PLANTWEB HOUSING
SHOWN WITH OPTIONAL DIGITAL DISPLAY



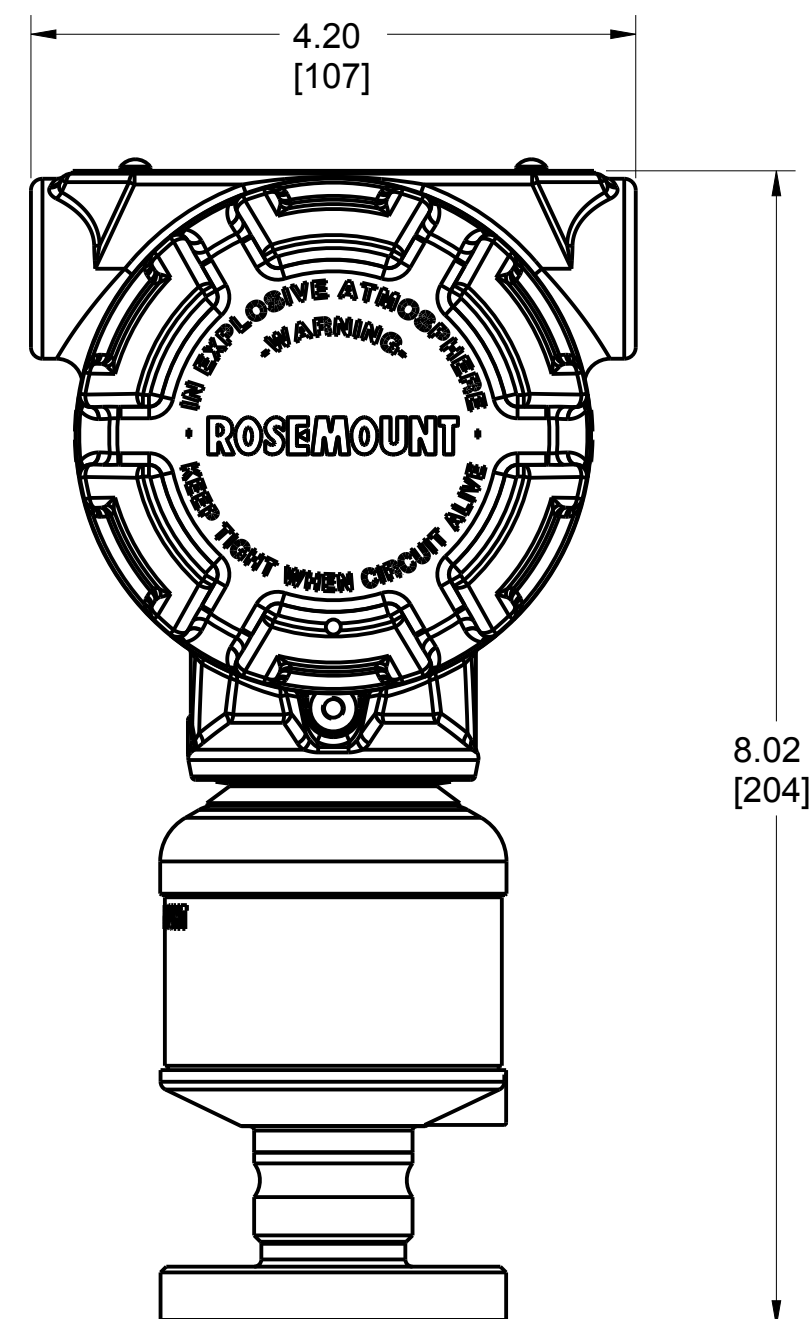
PLANTWEB HOUSING



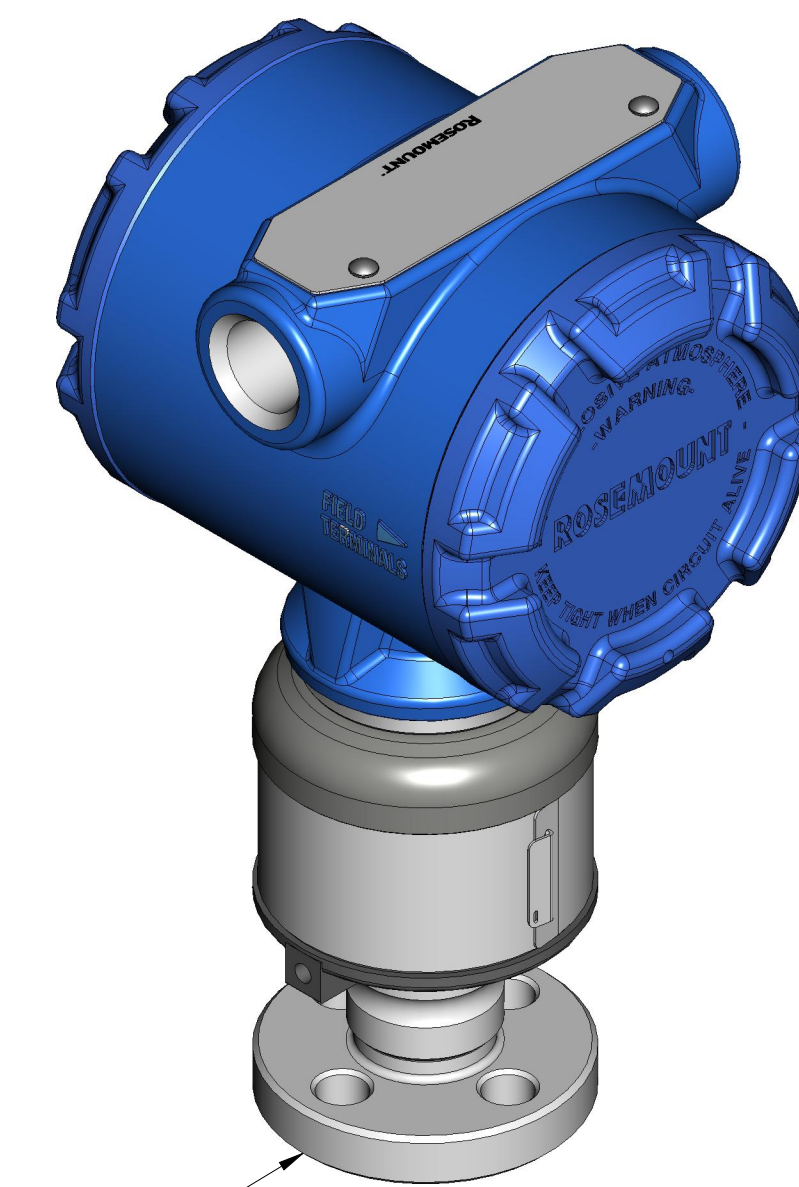
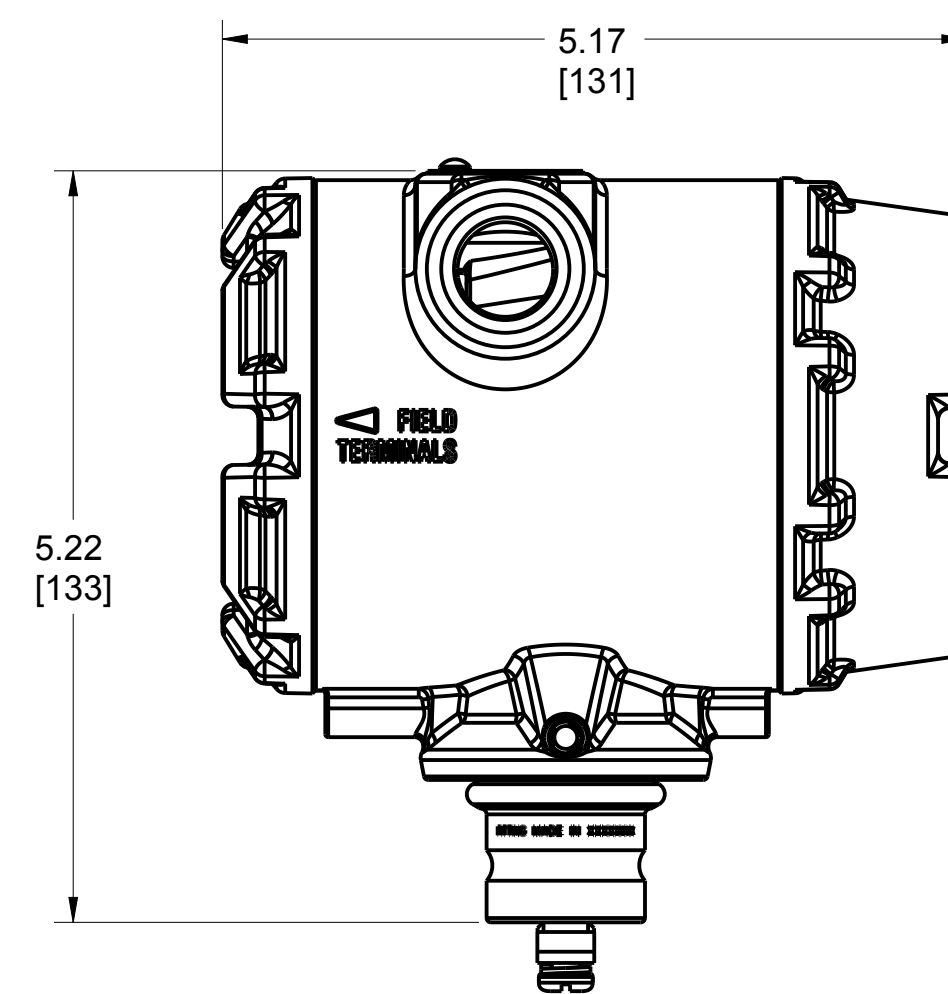
JUNCTION BOX HOUSING



PLANTWEB OR JUNCTION BOX HOUSING
PRESSURE RANGE OPTION 1A-4A



REMOTE METER OPTION



FLANGE PROCESS CONNECTION

<p>©2015 ROSEMOUNT INC. ROSEMOUNT INC. CERTIFIES THIS DRAWING TO BE IN ACCORDANCE WITH ROSEMOUNT ENGINEERING SPECIFICATIONS. UNIT NOTES IN INCHES (mm). REFERENCE ROSEMOUNT PRODUCT SPECIFICATIONS. CLICK HERE</p>	<p>3RD ANGLE</p>	<p>SIZE D</p>	<p>SCALE NTS</p>
	<p>EMERSON</p>		
	<p>TITLE ROSEMOUNT 3051S IN-LINE TYPE I DRAWING</p>		
	<p>DR. J. ARMSTRONG 1/16/16</p>	<p>DRAWING NO.</p>	<p>03151-6001</p>
<p>APP'D: MATHIASON 1/16/16</p>	<p>CAD MAINTAINED, (PROE)</p>		
<p>SHEET 7 OF 14</p>			

ROSEMOUNT 3051S SCALABLE IN-LINE PRESSURE TRANSMITTER, WIRELESS
NON-THREADED INSTRUMENT FLANGE PROCESS CONNECTION

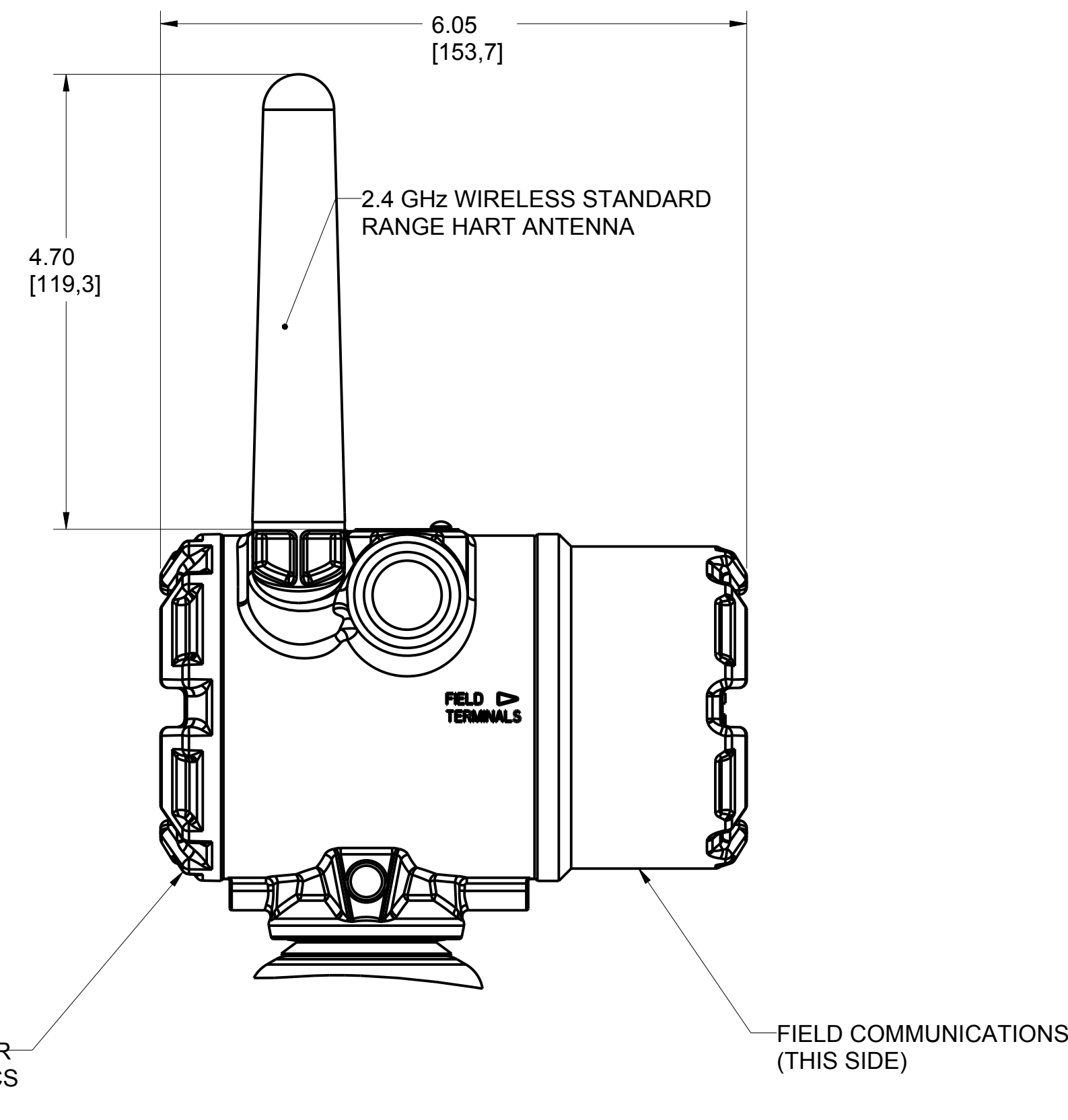
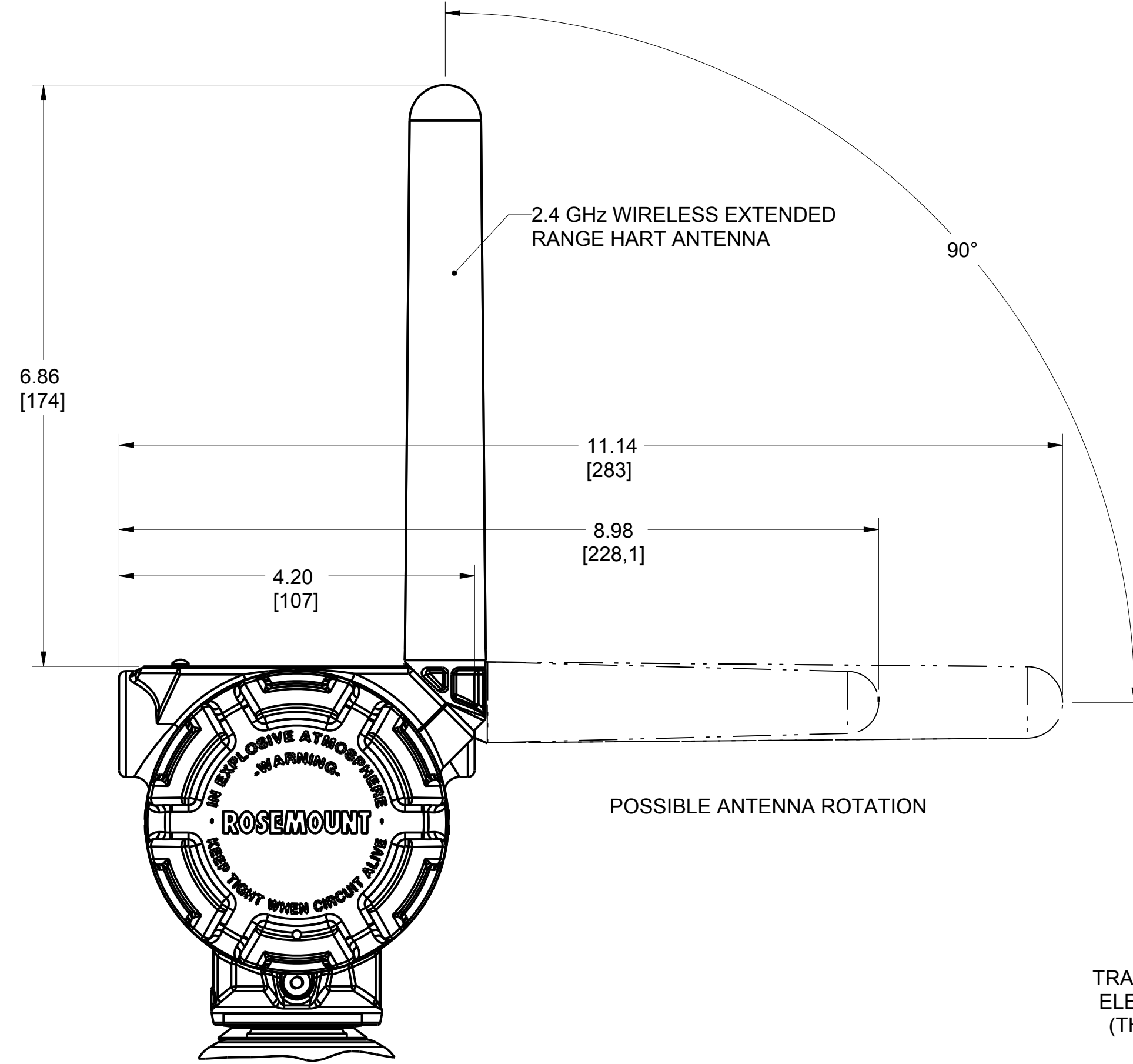
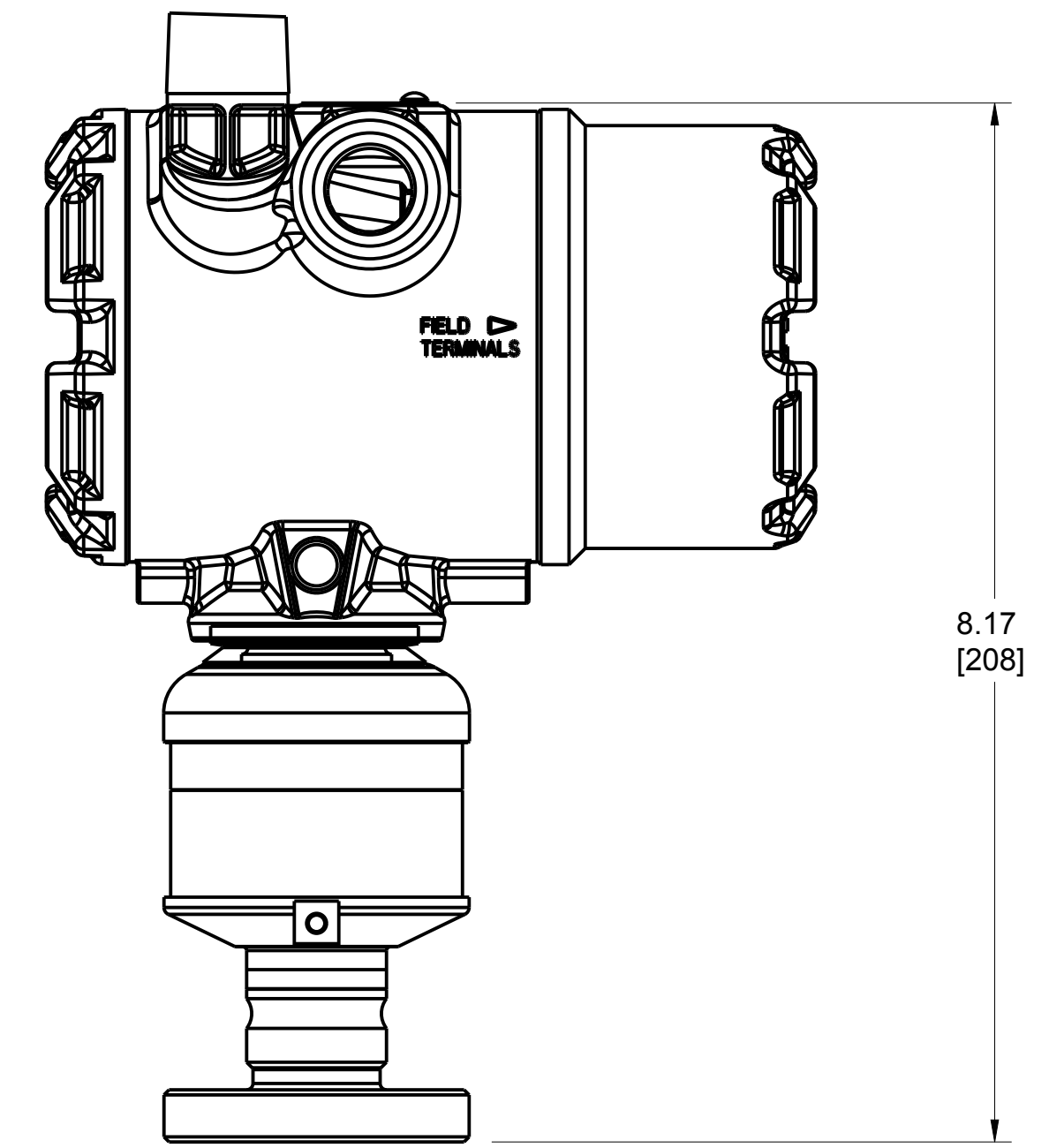
STAINLESS STEEL PROCESS WETTED

ALLOY C-276 PROCESS WETTED

PRESSURE RANGE OPTION 1A-4A

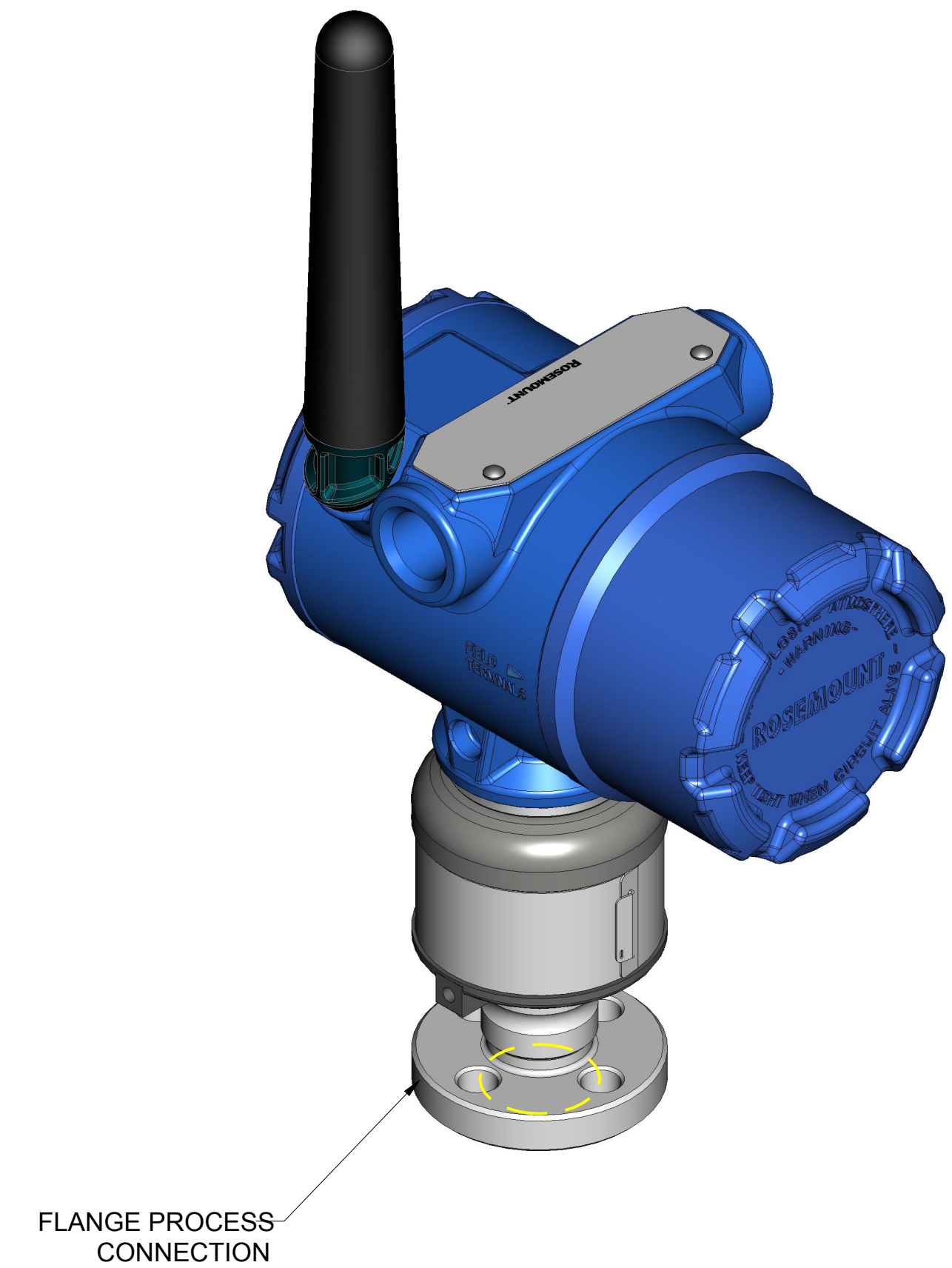
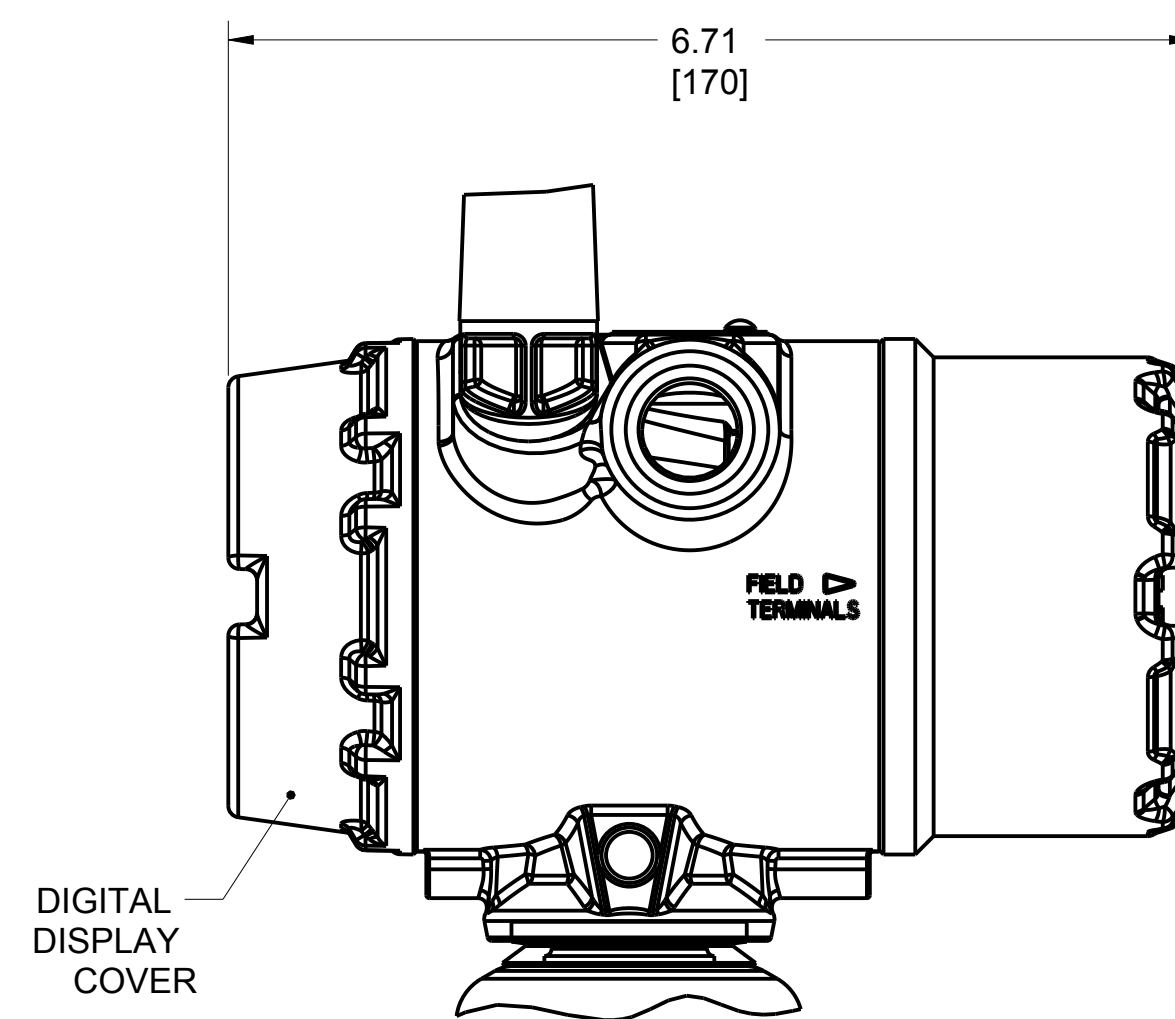
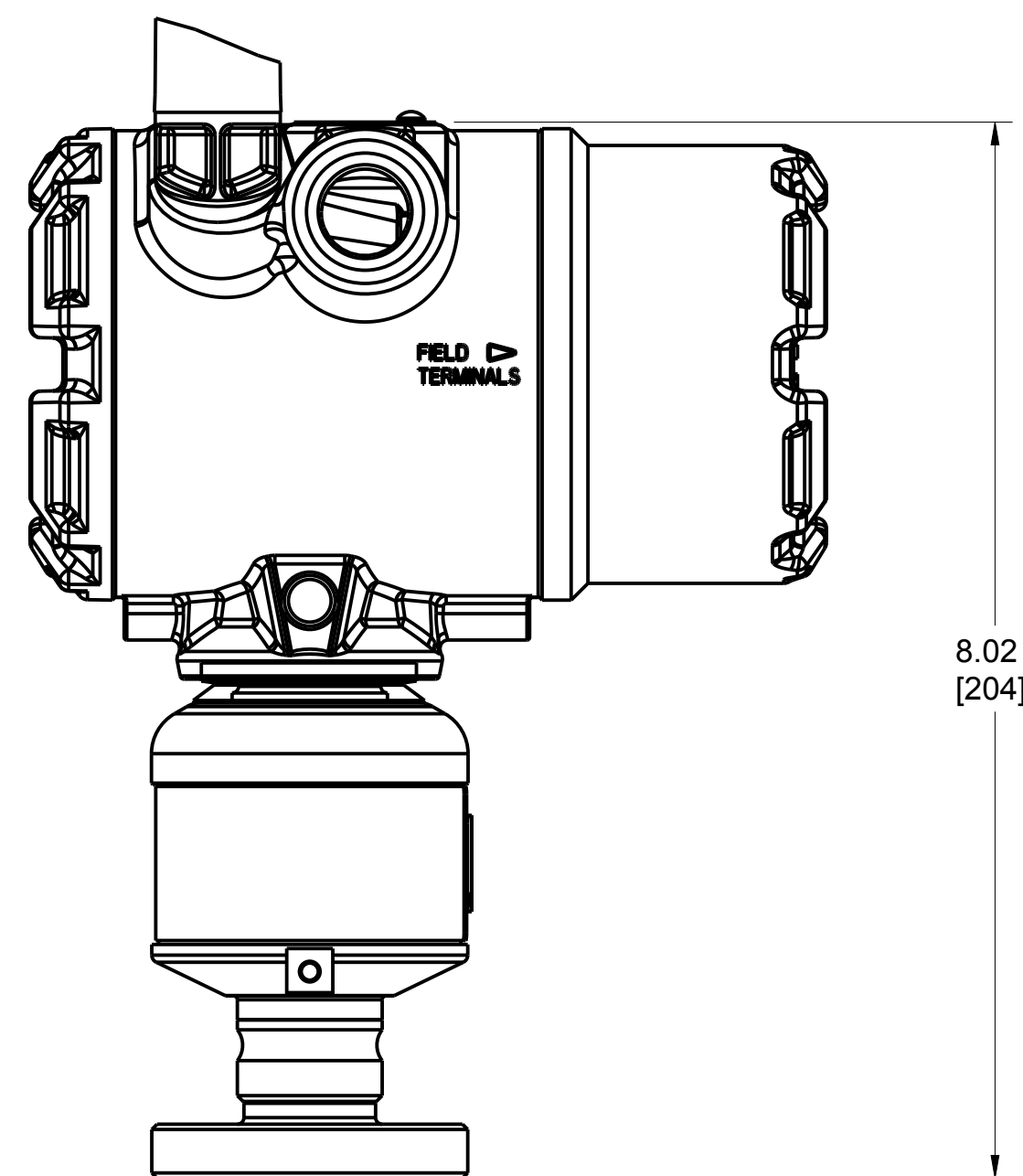
SHOWN WITH 2.4 GHz EXTENDED RANGE ANTENNA

SHOWN WITH 2.4 GHz STANDARD RANGE ANTENNA



PRESSURE RANGE OPTION 1A-4A

SHOWN WITH OPTIONAL DIGITAL DISPLAY



©2015 ROSEMOUNT INC.
ROSEMOUNT INC. CERTIFIES
THIS DRAWING IS IN
ACCORDANCE WITH
ROSEMOUNT ENGINEERING
SPECIFICATIONS.
UNIT NOTES IN INCHES (mm).
REFERENCE ROSEMOUNT
PRODUCT SPECIFICATIONS.
CLICK HERE

3RD ANGLE

EMERSON

TITLE ROSEMOUNT 3051S IN-LINE
TYPE I DRAWING

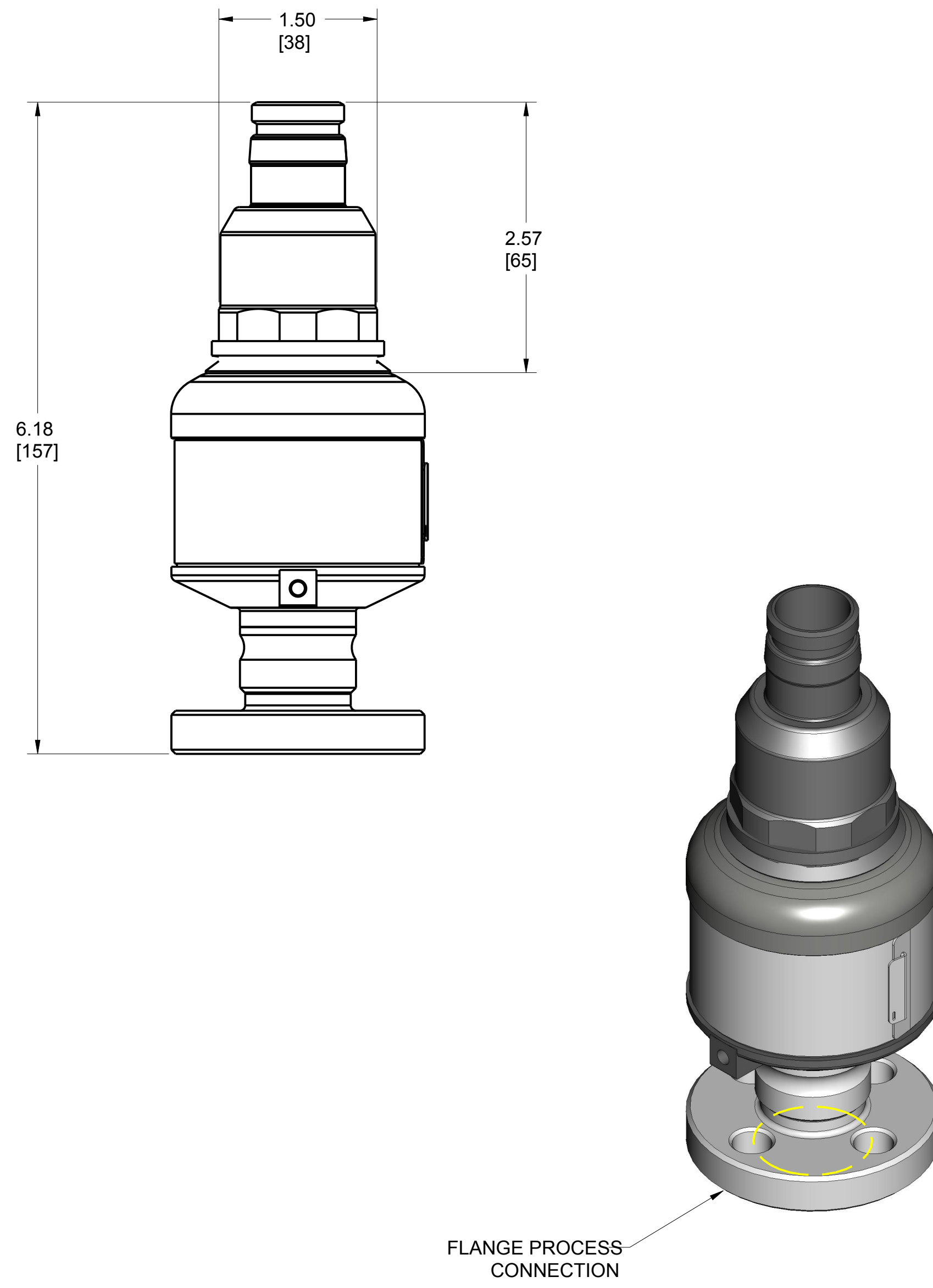
DR. J. ARMSTRONG 1/16/16 DRAWING NO. 03151-6001
APP'D: MATHIASON 1/16/16
CAD MAINTAINED, (PROE) SHEET 8 OF 14

SIZE D SCALE NTS

ROSEMOUNT 3051S PRESSURE TRANSMITTER WITH QUICK CONNECT HOUSING
NON-THREADED INSTRUMENT FLANGE PROCESS CONNECTION

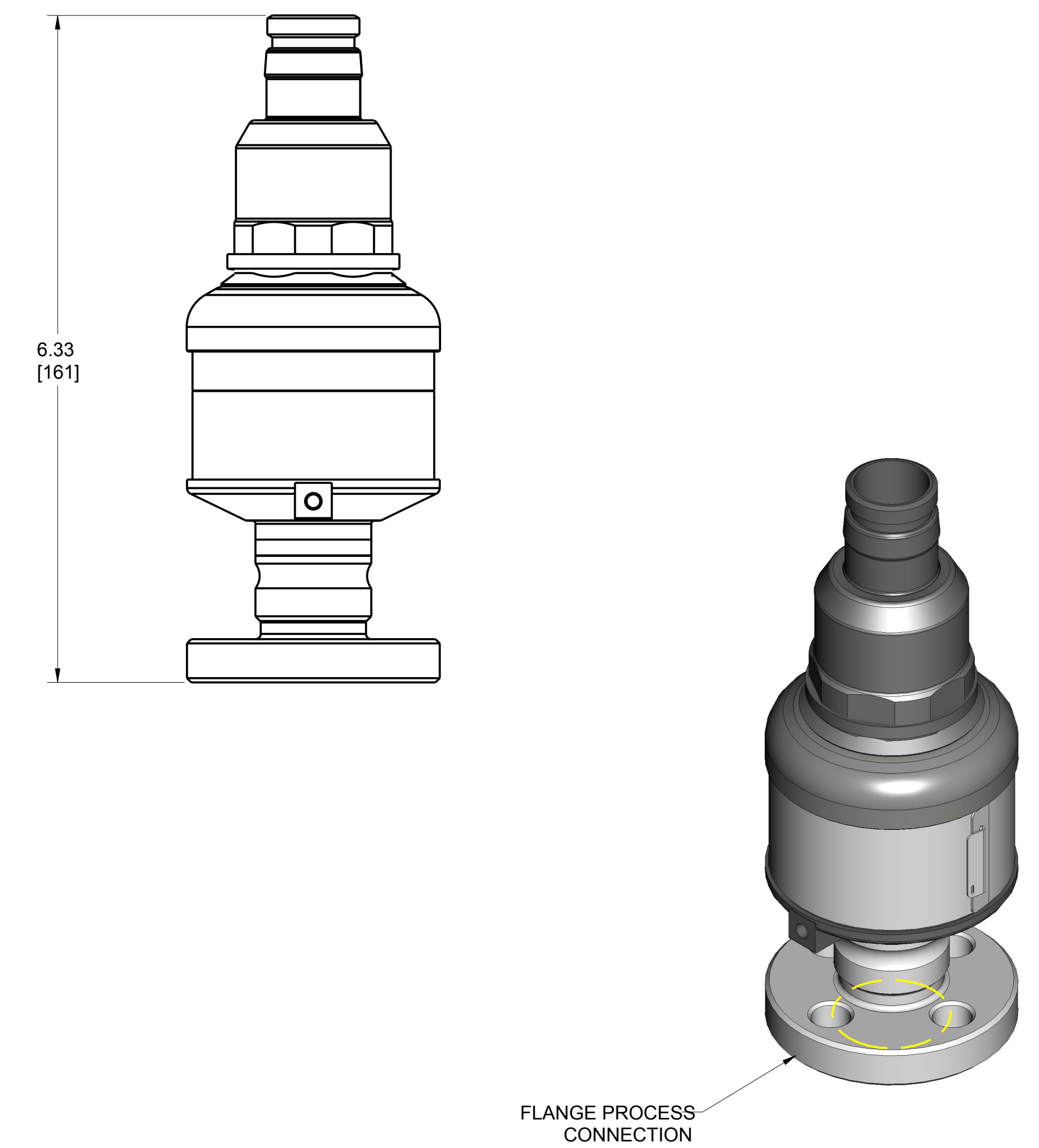
STAINLESS STEEL PROCESS WETTED

PRESSURE RANGE OPTION 1A-4A



ALLOY C-276 PROCESS WETTED

PRESSURE RANGE OPTION 1A-4A



©2015 ROSEMOUNT INC.
ROSEMOUNT INC. CERTIFIES
THIS DRAWING IS IN
ACCORDANCE WITH
ROSEMOUNT ENGINEERING
SPECIFICATIONS.
UNIT NOTES IN INCHES (mm).
REFERENCE ROSEMOUNT
PRODUCT SPECIFICATIONS.
CLICK HERE

EMERSON

TITLE ROSEMOUNT 3051S IN-LINE
TYPE I DRAWING

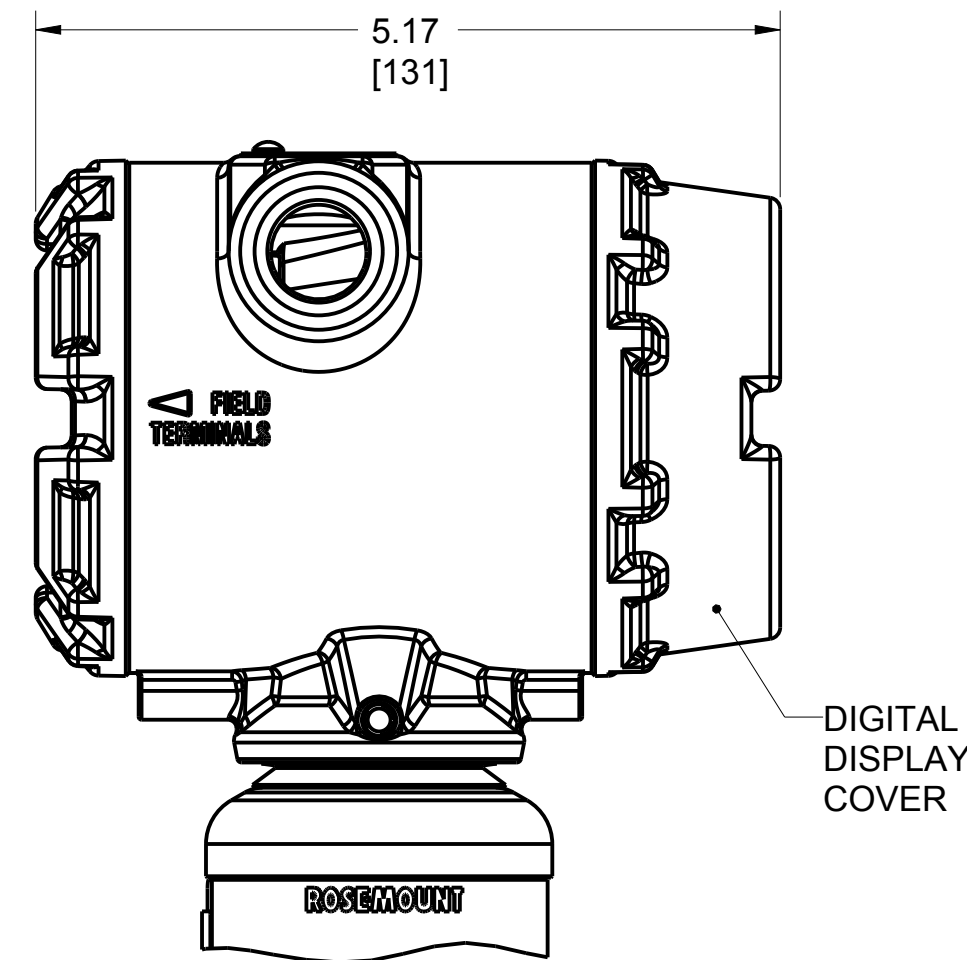
DR. J. ARMSTRONG 1/16/16 DRAWING NO. 03151-6001
APPROV. MATHIASON 1/16/16

CAD MAINTAINED, (PROE) SHEET 9 OF 14

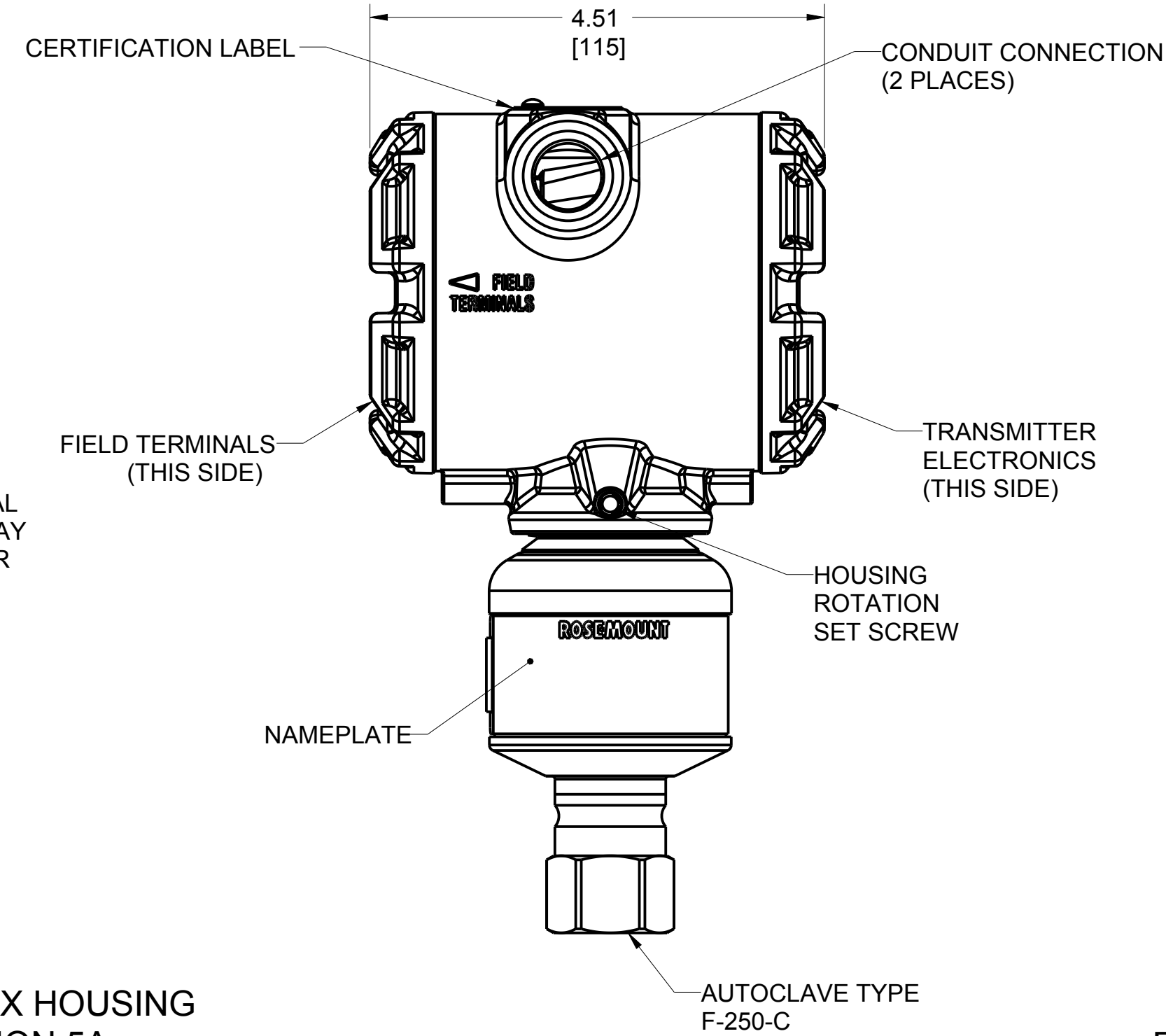
ROSEMOUNT 3051S SCALABLE IN-LINE PRESSURE TRANSMITTER
 AUTOCLAVE TYPE F-250-C COMPATIBLE PROCESS CONNECTION

STAINLESS STEEL PROCESS WETTED

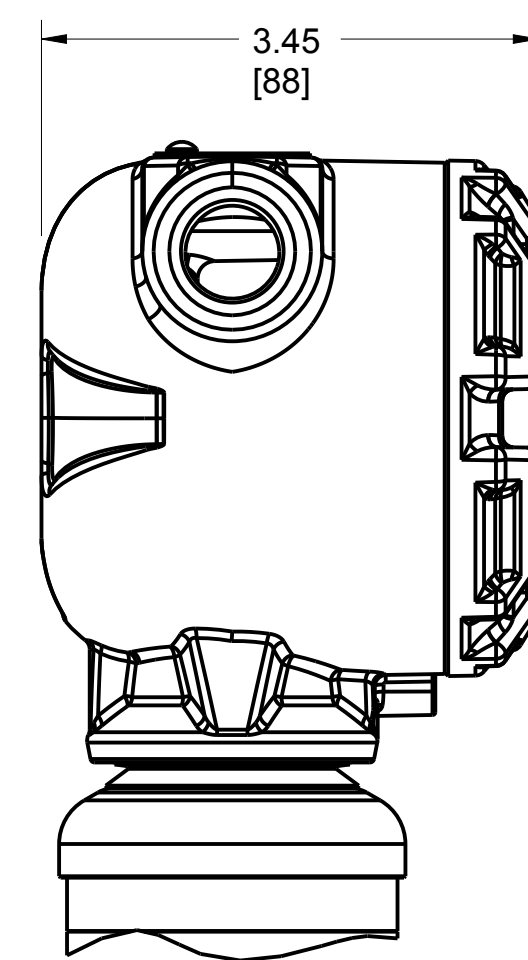
PLANTWEB HOUSING
 SHOWN WITH OPTIONAL DIGITAL DISPLAY



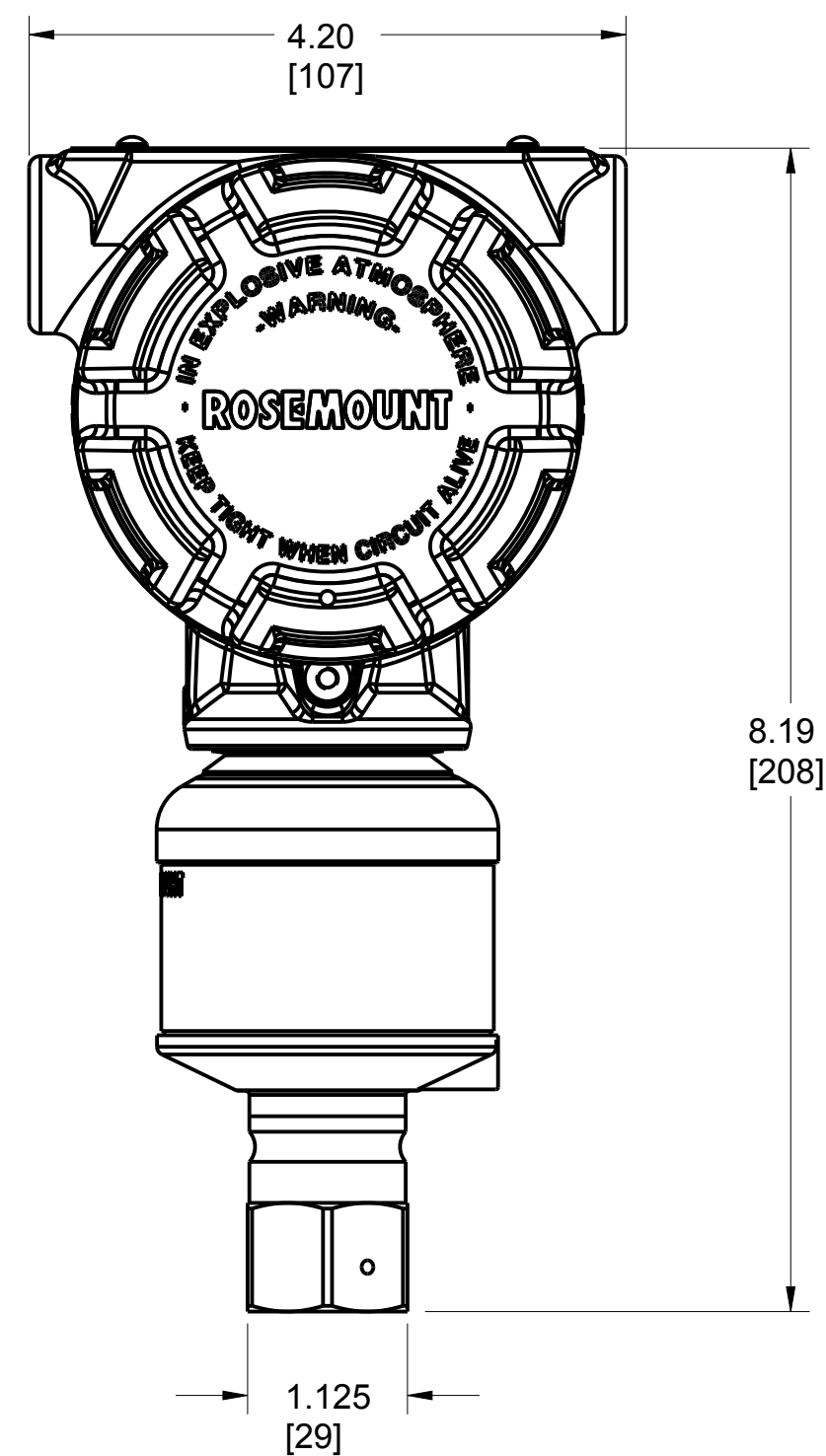
PLANTWEB HOUSING



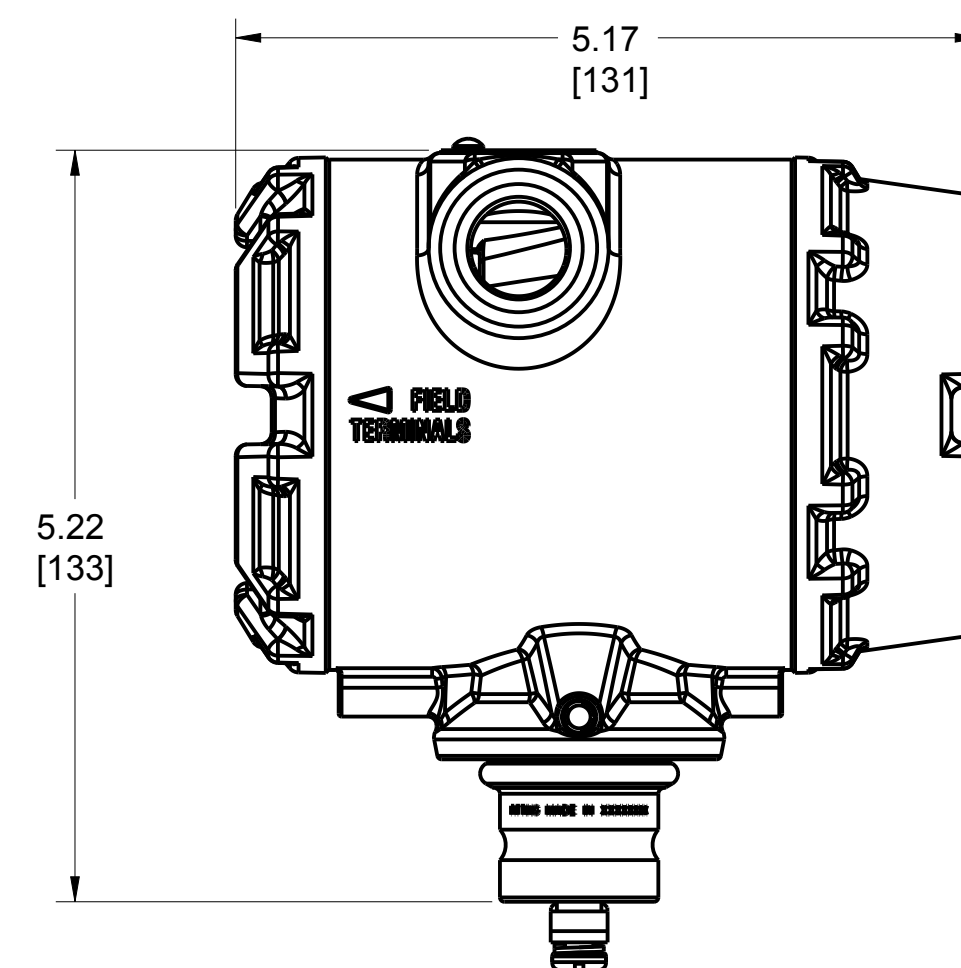
JUNCTION BOX HOUSING



PLANTWEB OR JUNCTION BOX HOUSING
 PRESSURE RANGE OPTION 5A

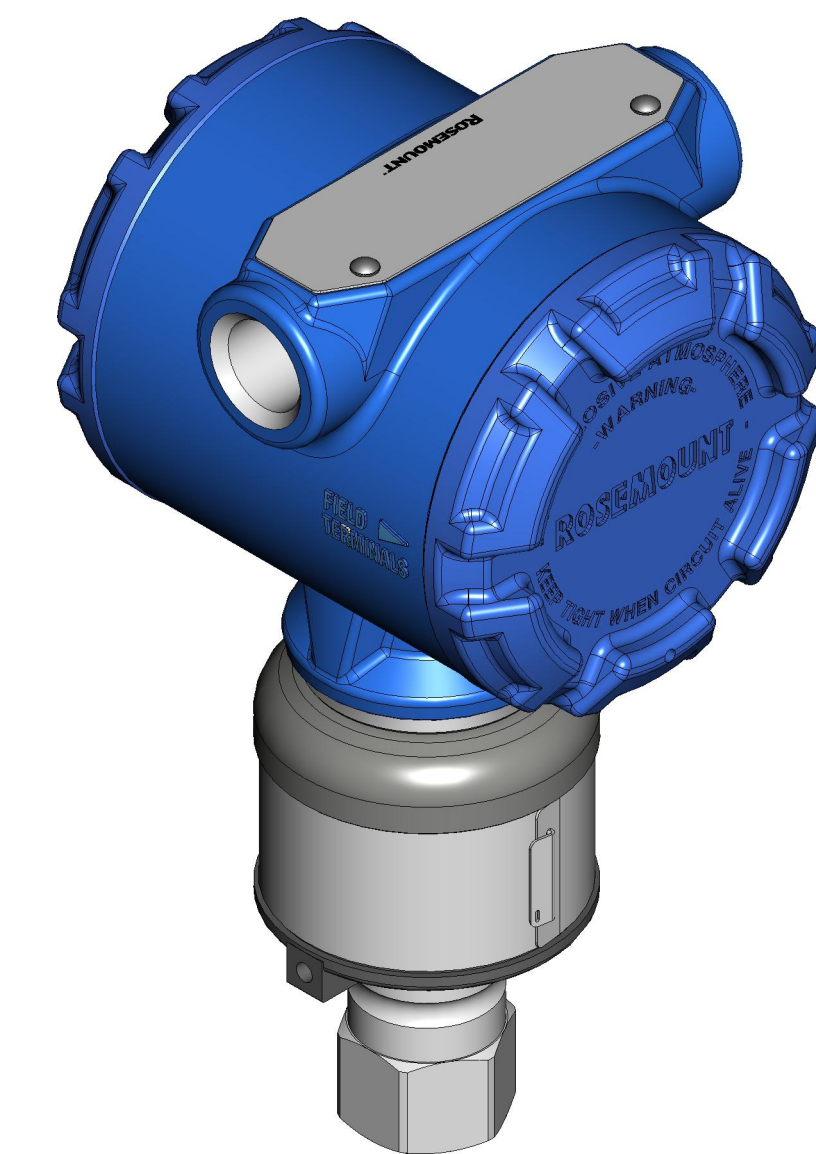
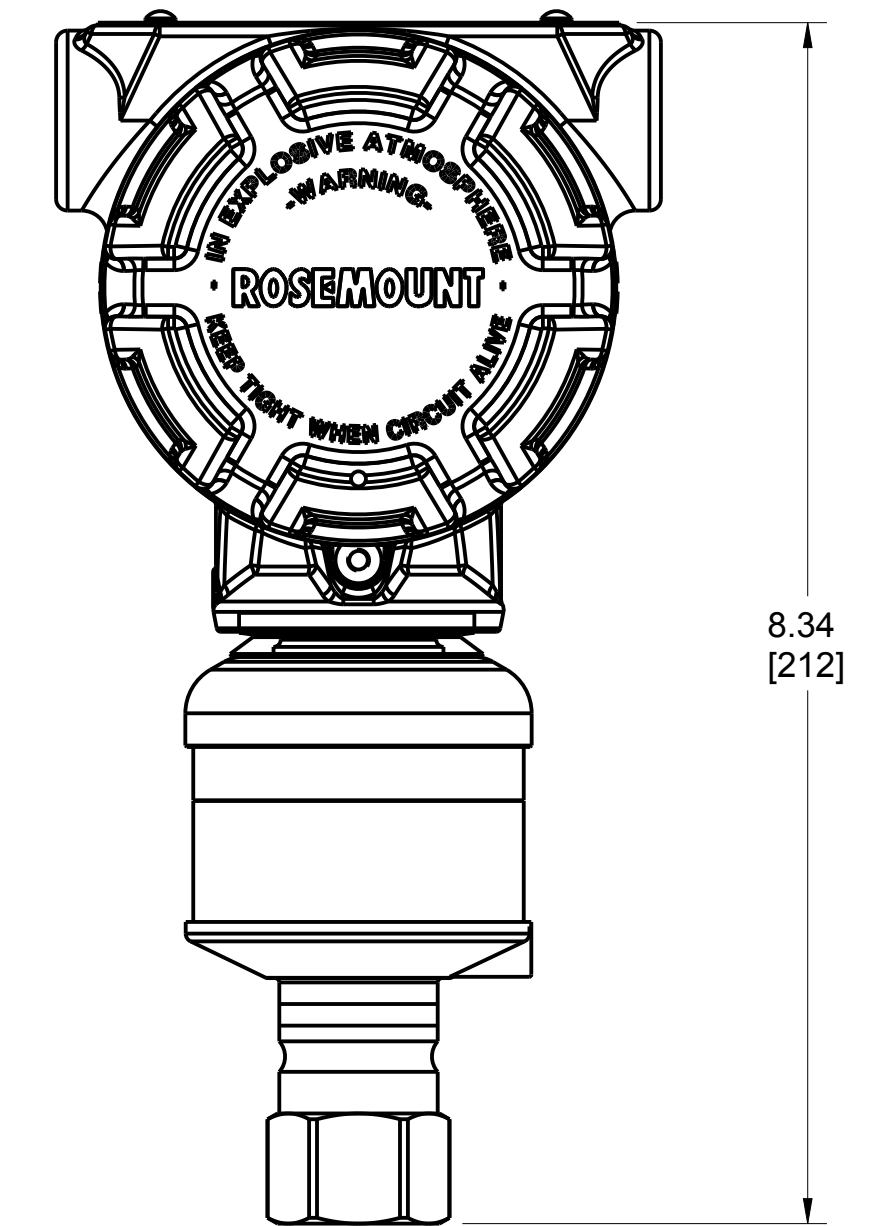


REMOTE METER OPTION



PRESSURE RANGE OPTION 5A

ALLOY C-276 PROCESS WETTED
 PLANTWEB OR JUNCTION BOX HOUSING



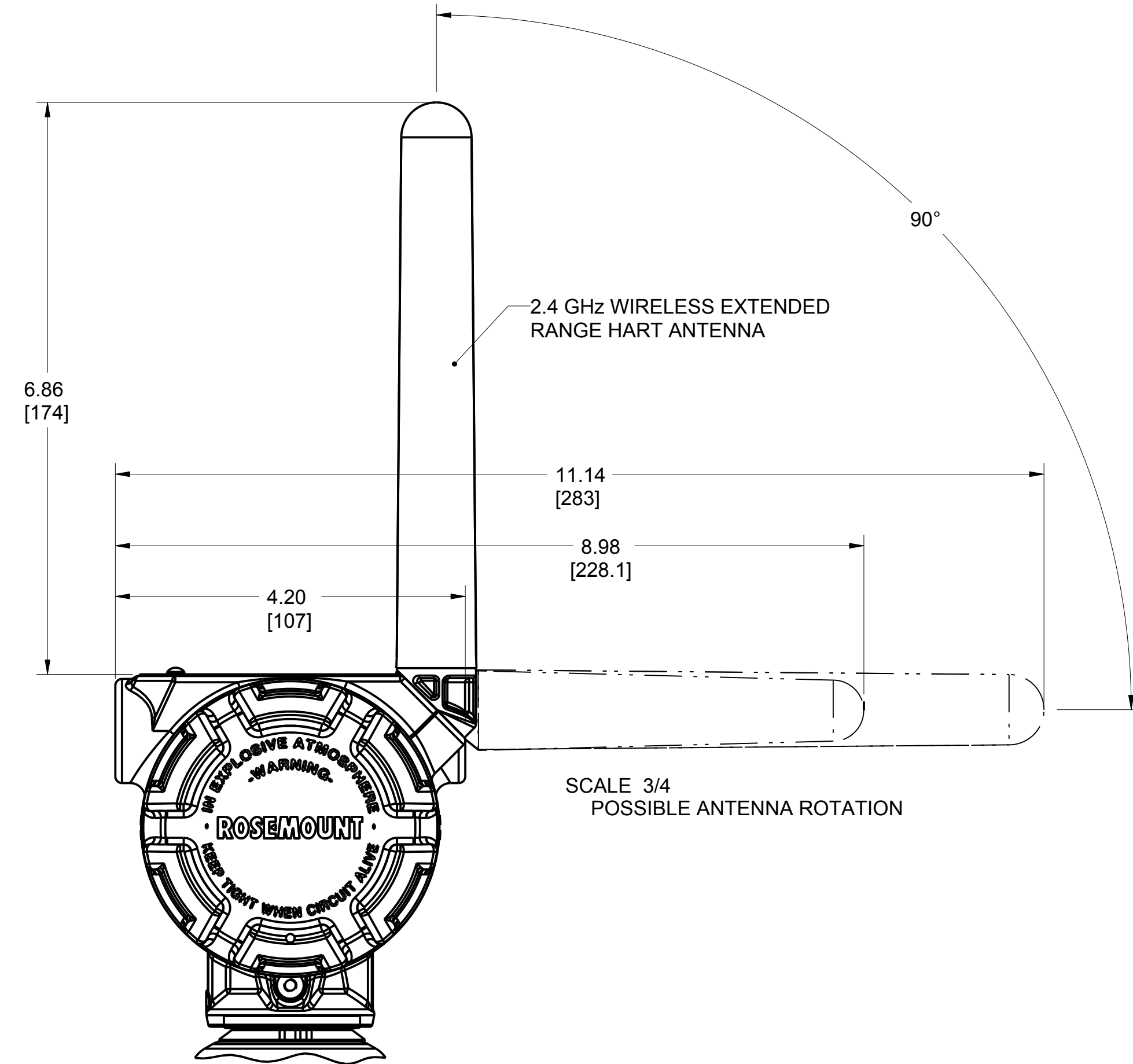
IN-LINE CONNECTION

©2015 ROSEMOUNT INC. ROSEMOUNT INC. CERTIFIES THIS PRODUCT TO BE IN ACCORDANCE WITH ROSEMOUNT ENGINEERING SPECIFICATIONS. UNIT NOTES IN INCHES (mm). REFERENCE ROSEMOUNT PRODUCT SPECIFICATIONS. CLICK HERE	3RD ANGLE	SIZE D	SCALE NTS
	TITLE ROSEMOUNT 3051S IN-LINE TYPE I DRAWING		
	DR. J. ARMSTRONG APP'D: MATHIASON CAD MAINTAINED, (PROE)	1/16/16 1/16/16	DRAWING NO. 03151-6001

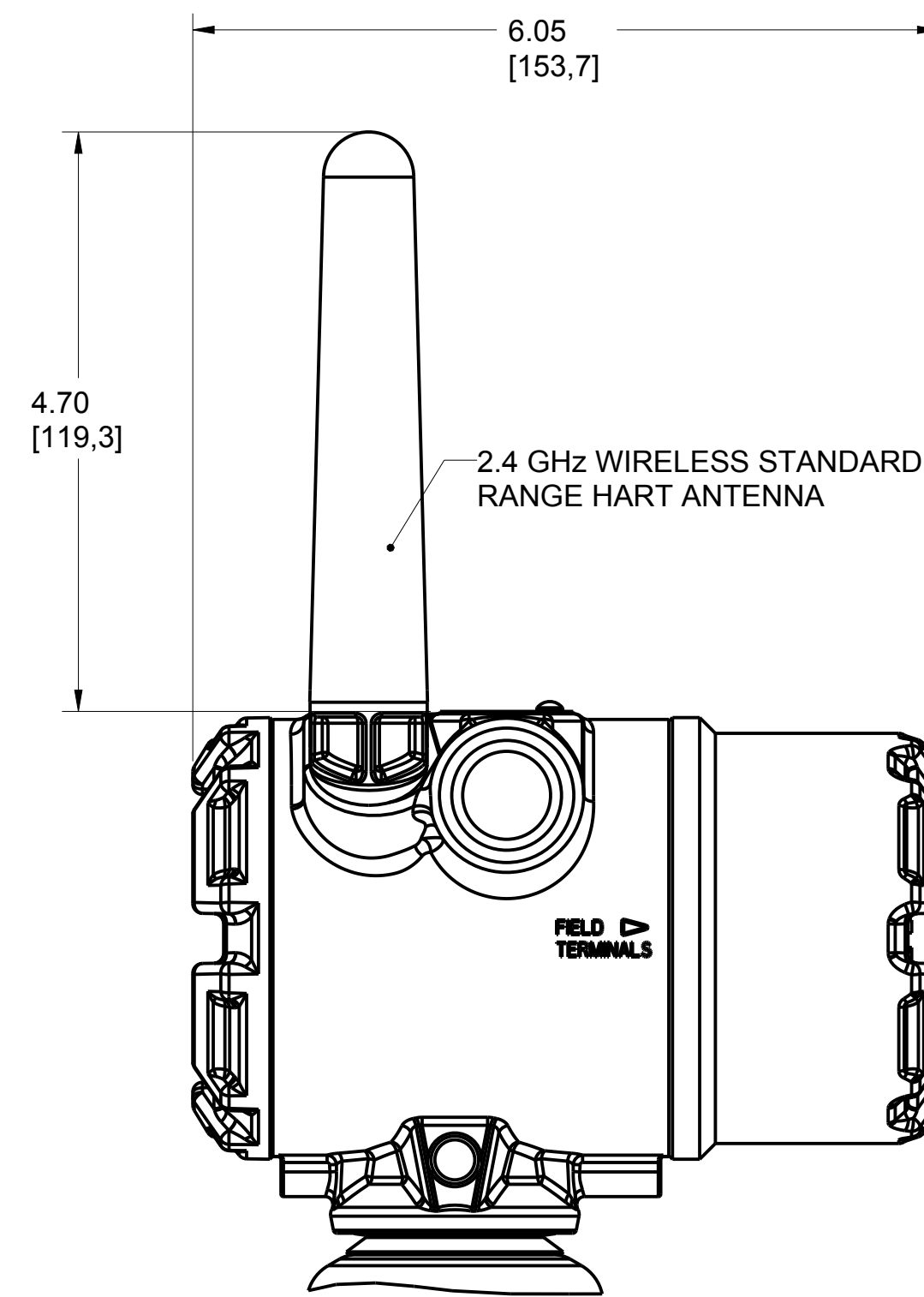
ROSEMOUNT 3051S SCALABLE IN-LINE PRESSURE TRANSMITTER, WIRELESS
 AUTOCLAVE TYPE F-250-C COMPATIBLE PROCESS CONNECTION

STAINLESS STEEL PROCESS WETTED

SHOWN WITH 2.4 GHz EXTENDED RANGE ANTENNA

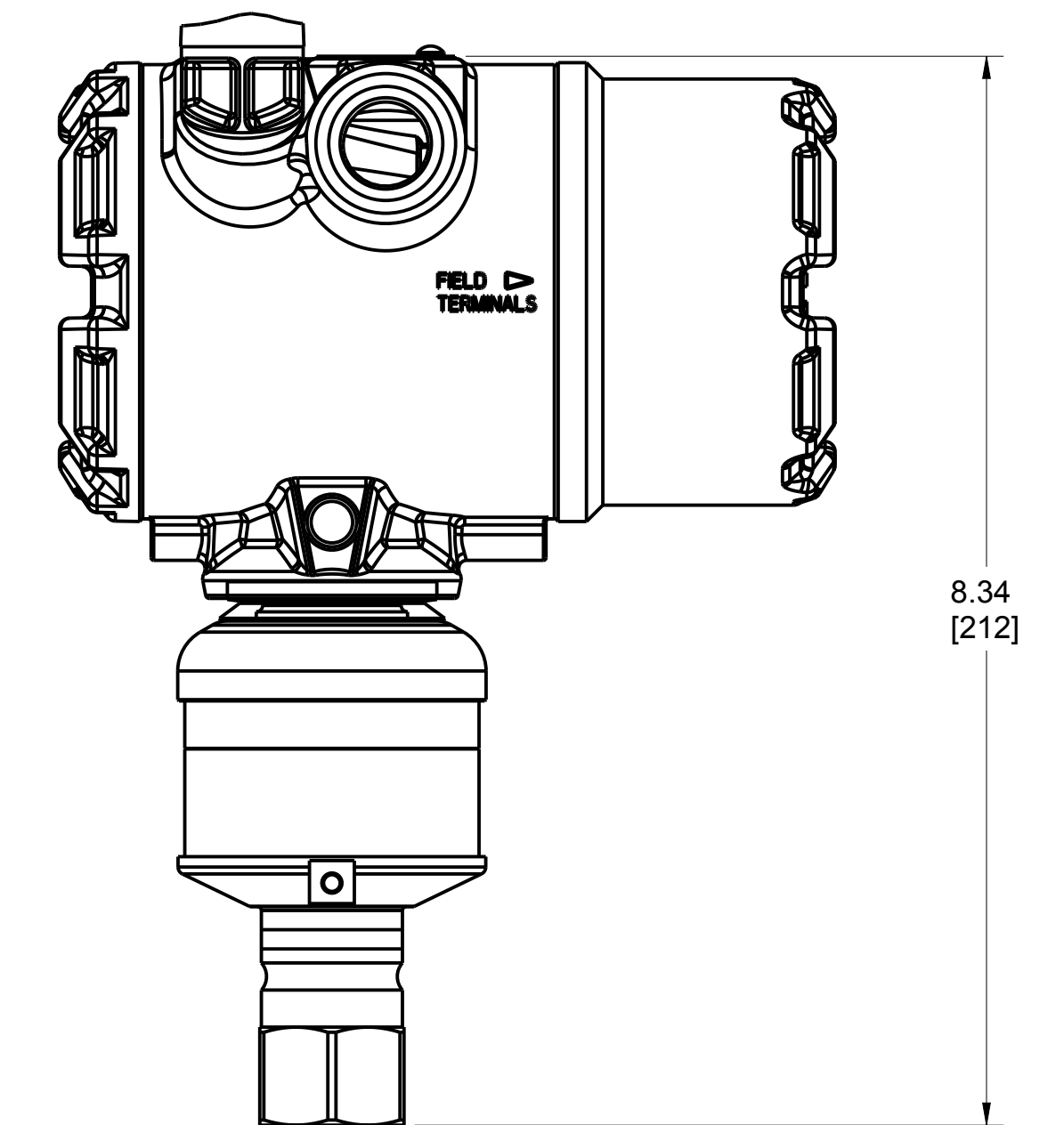


SHOWN WITH 2.4 GHz STANDARD RANGE ANTENNA

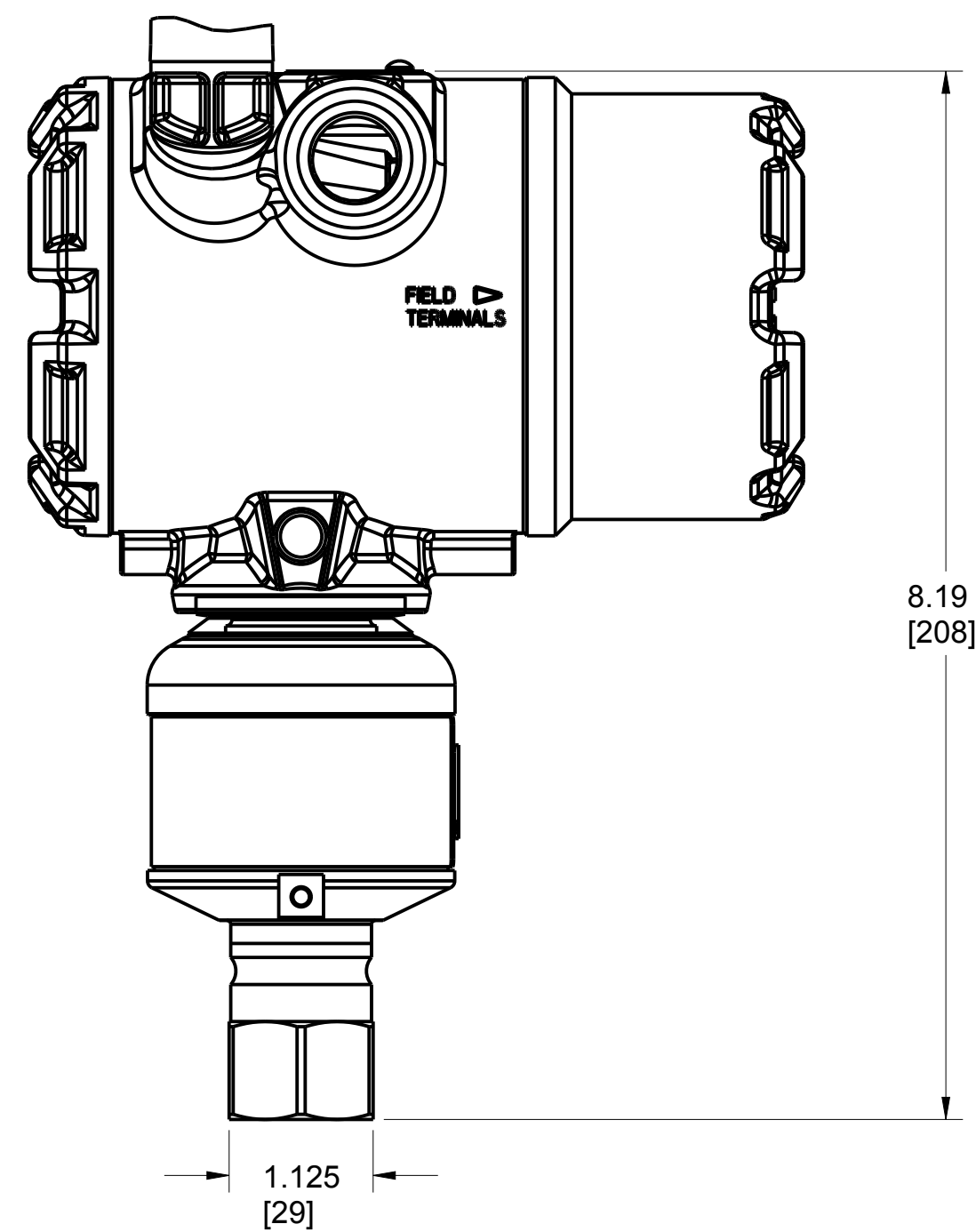


ALLOY C-276 PROCESS WETTED

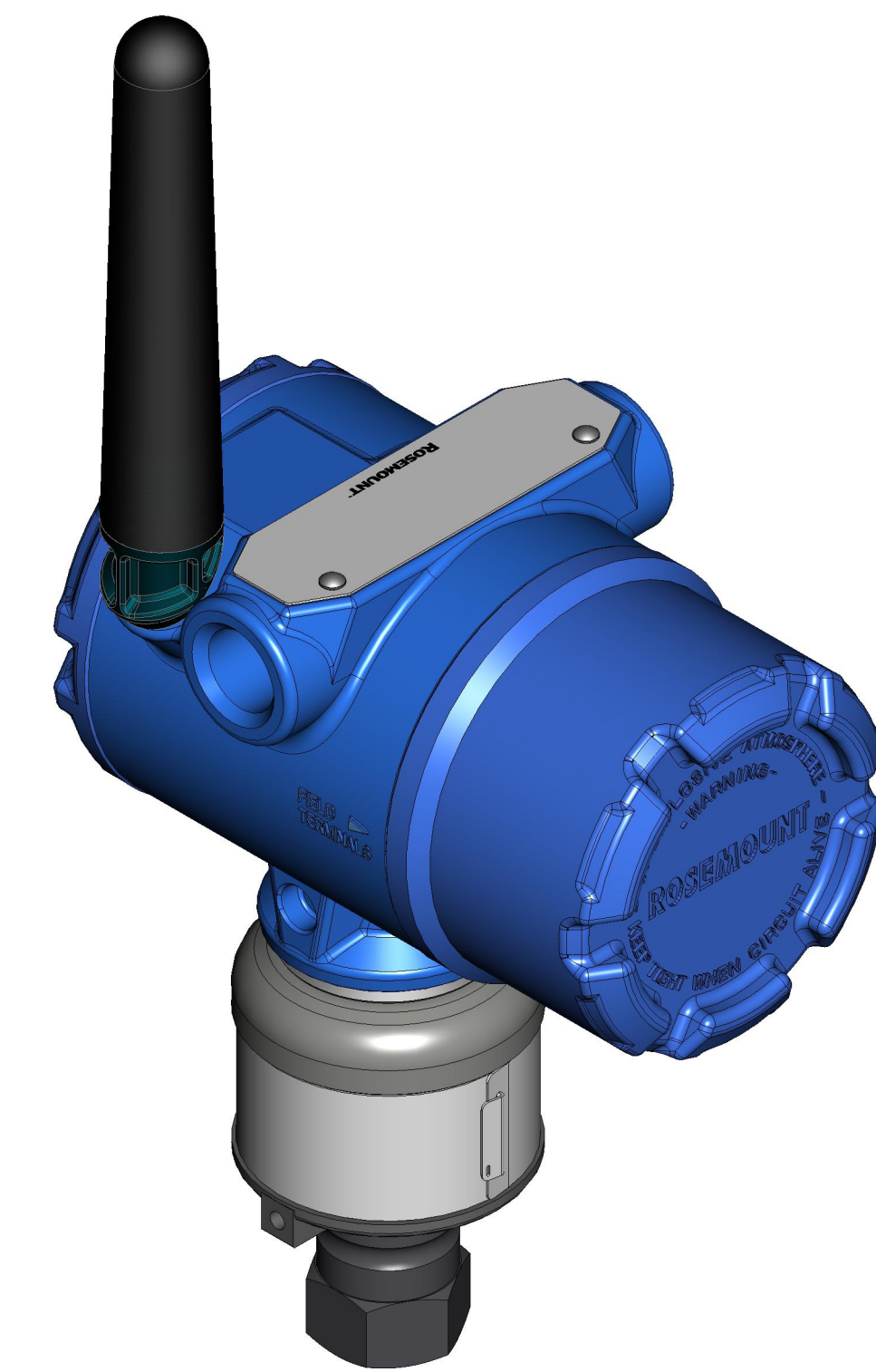
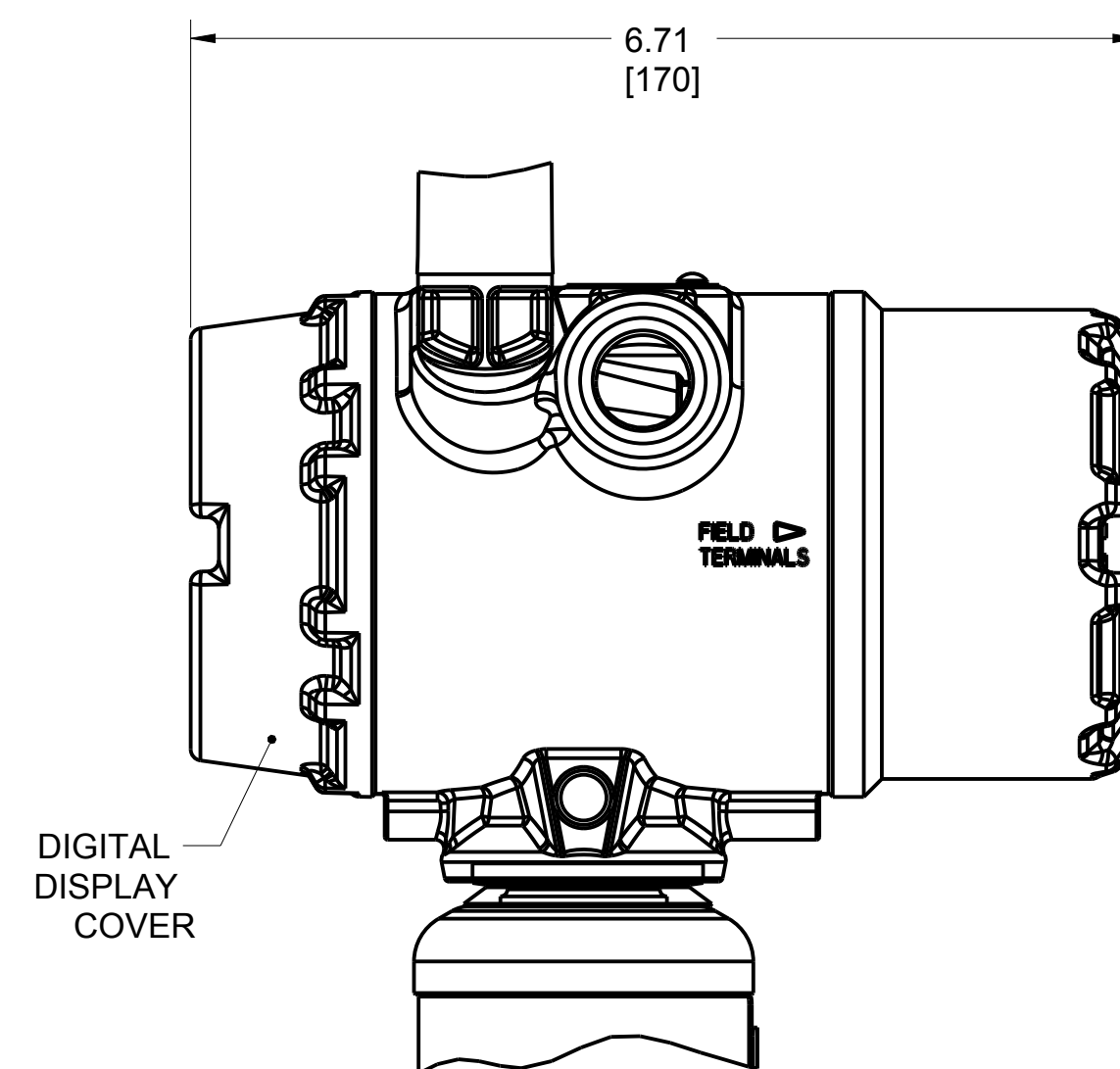
PRESSURE RANGE OPTION 5A



PRESSURE RANGE OPTION 5A



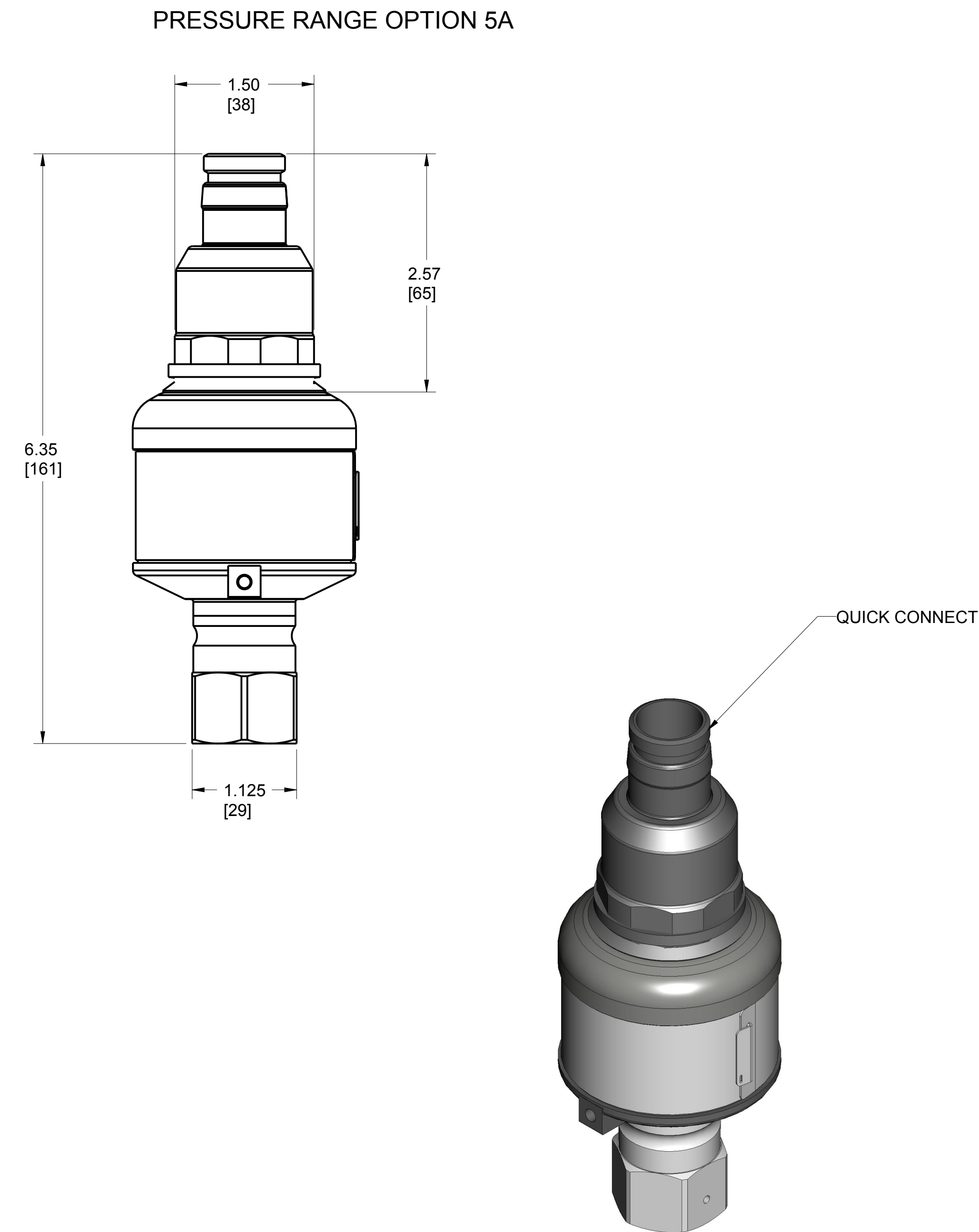
SHOWN WITH OPTIONAL DIGITAL DISPLAY



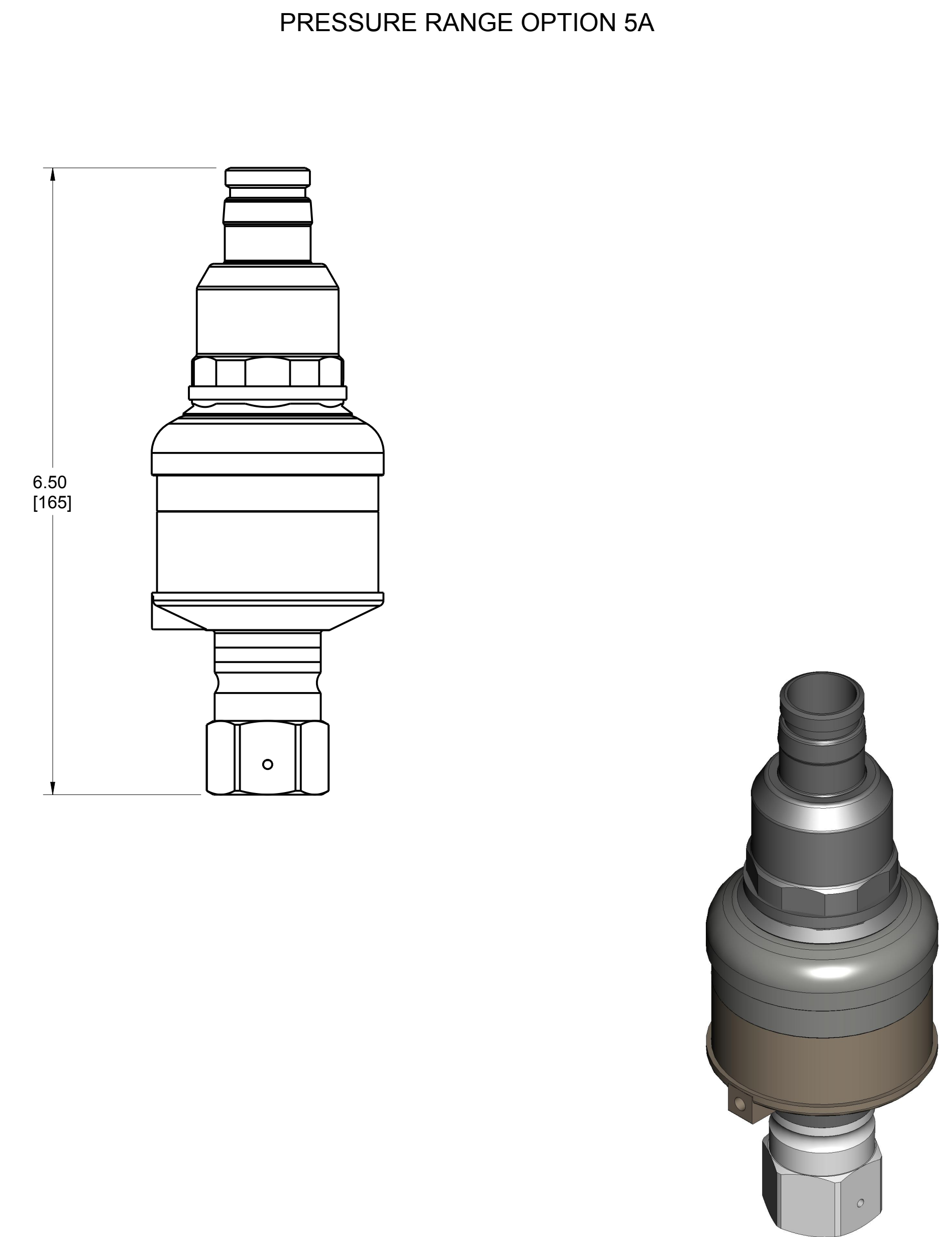
©2015 ROSEMOUNT INC. ROSEMOUNT INC. CERTIFIES THIS DRAWING IS IN ACCORDANCE WITH ROSEMOUNT ENGINEERING SPECIFICATIONS. UNIT NOTES IN INCHES (mm). REFERENCE ROSEMOUNT PRODUCT SPECIFICATIONS. CLICK HERE	3RD ANGLE	SIZE D	SCALE NTS
	EMERSON		
	TITLE ROSEMOUNT 3051S IN-LINE TYPE I DRAWING		
	DR. J. ARMSTRONG 1/16/16	DRAWING NO.	03151-6001
APP'D: MATHIASON 1/16/16	CAD MAINTAINED, (PROE) SHEET 11 OF 14		

ROSEMOUNT 3051S PRESSURE TRANSMITTER WITH QUICK CONNECT HOUSING
 AUTOCLAVE TYPE F-250-C COMPATIBLE PROCESS CONNECTION

STAINLESS STEEL PROCESS WETTED



ALLOY C-276 PROCESS WETTED



©2015 ROSEMOUNT INC.
 ROSEMOUNT INC. CERTIFIES
 THIS DRAWING IS IN
 ACCORDANCE WITH
 ROSEMOUNT ENGINEERING
 SPECIFICATIONS.
 UNIT NOTES IN INCHES (mm).

EMERSON

TITLE ROSEMOUNT 3051S IN-LINE
 TYPE I DRAWING

DR. J. ARMSTRONG 1/16/16 DRAWING NO. 03151-6001
 APP'D: MATHIASON 1/16/16

CAD MAINTAINED, (PROE) SHEET 12 OF 14

3RD ANGLE

SIZE D SCALE NTS

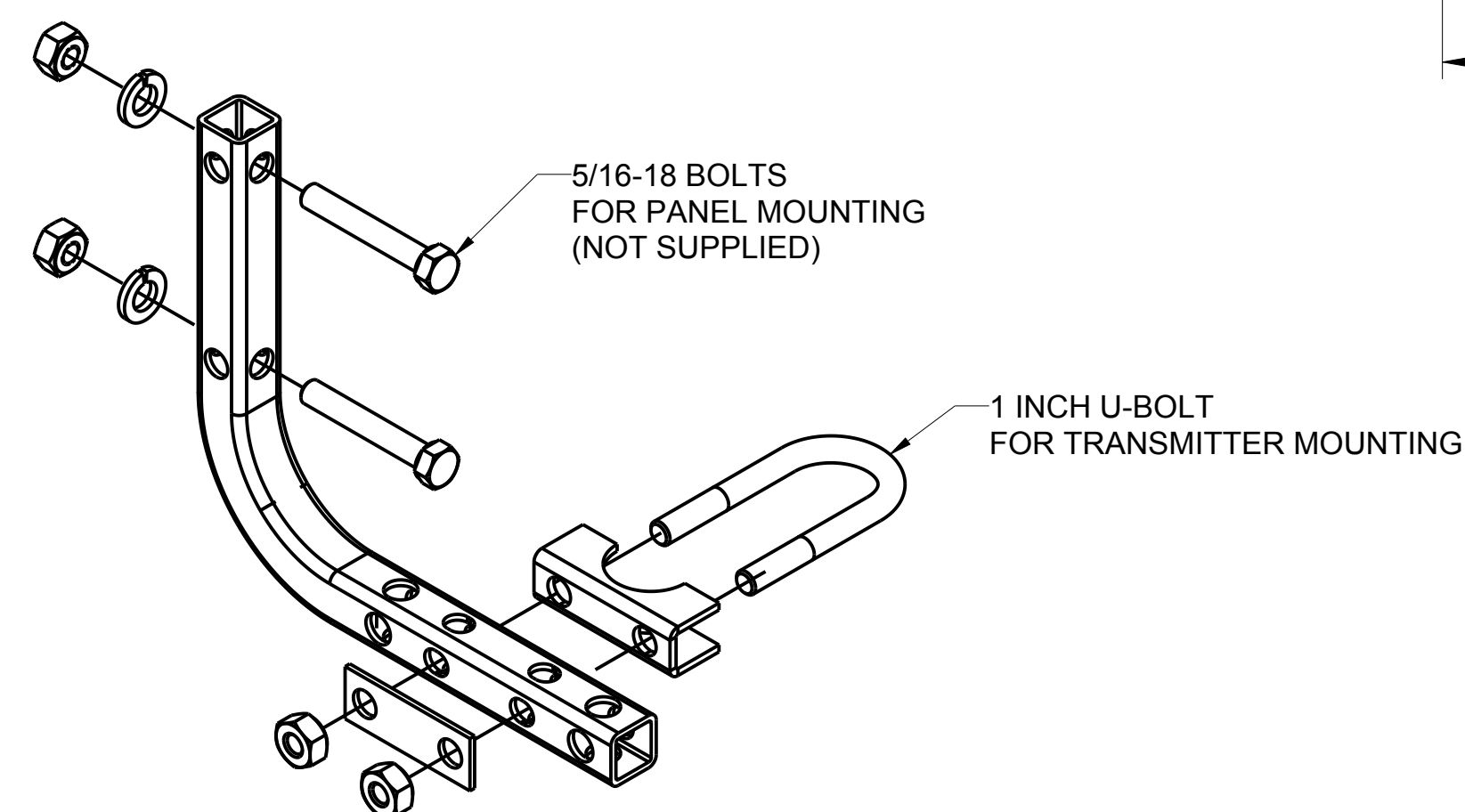
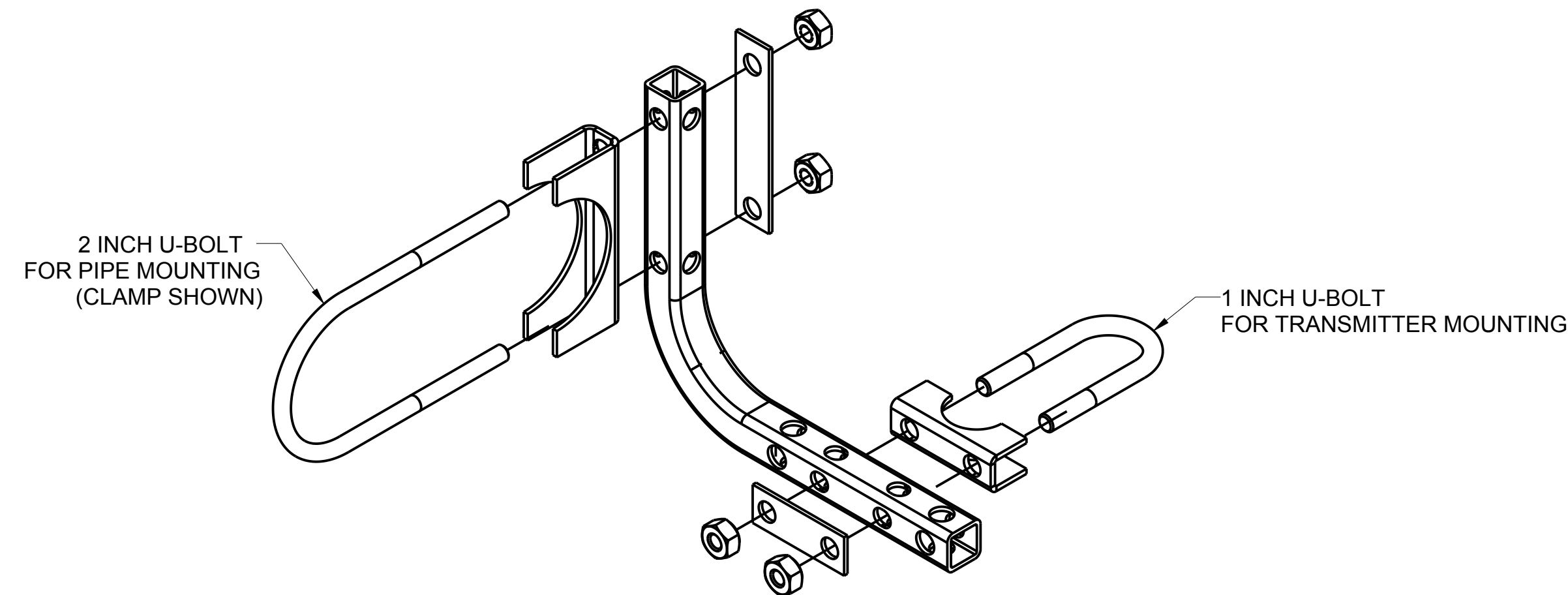
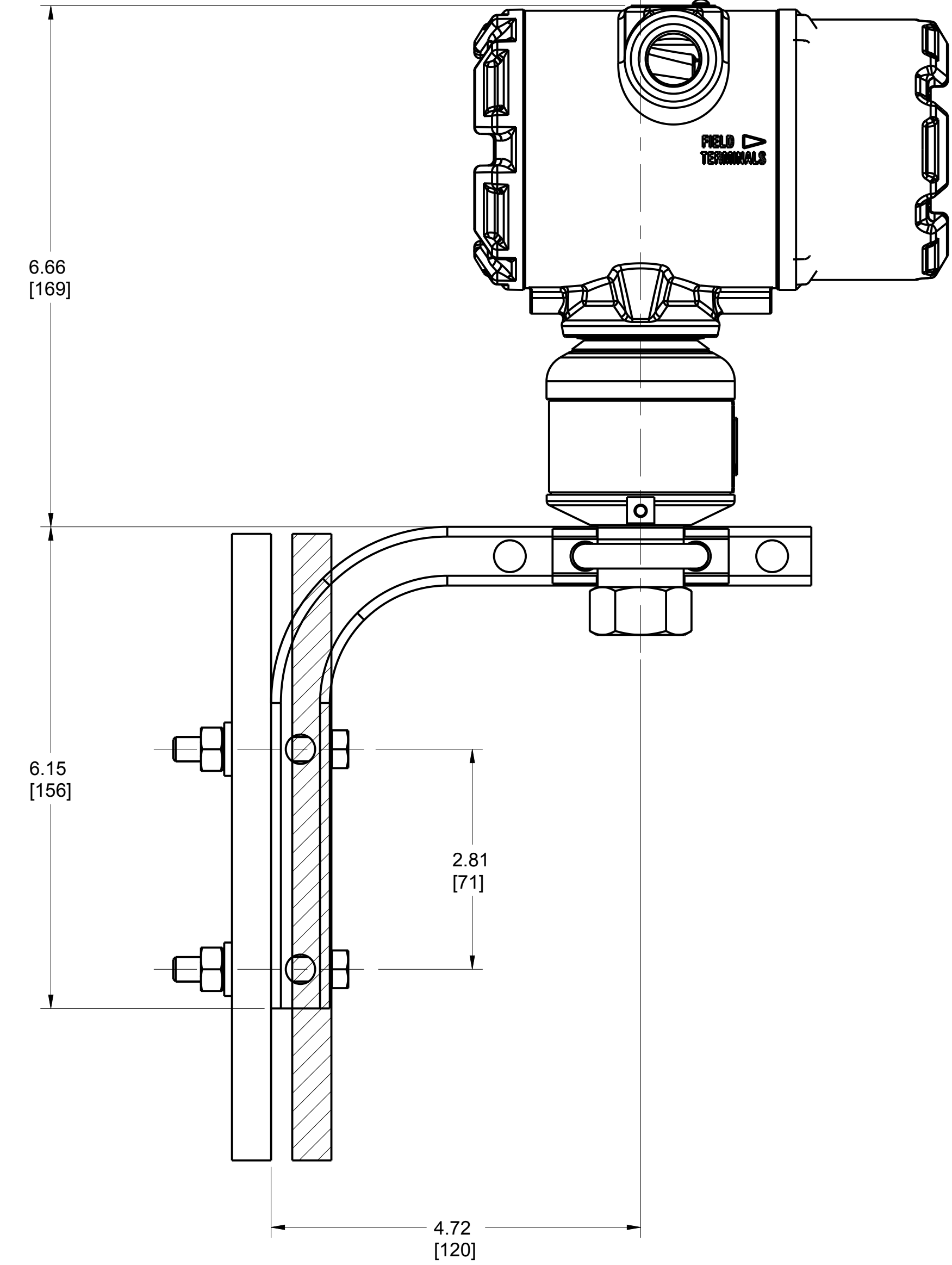
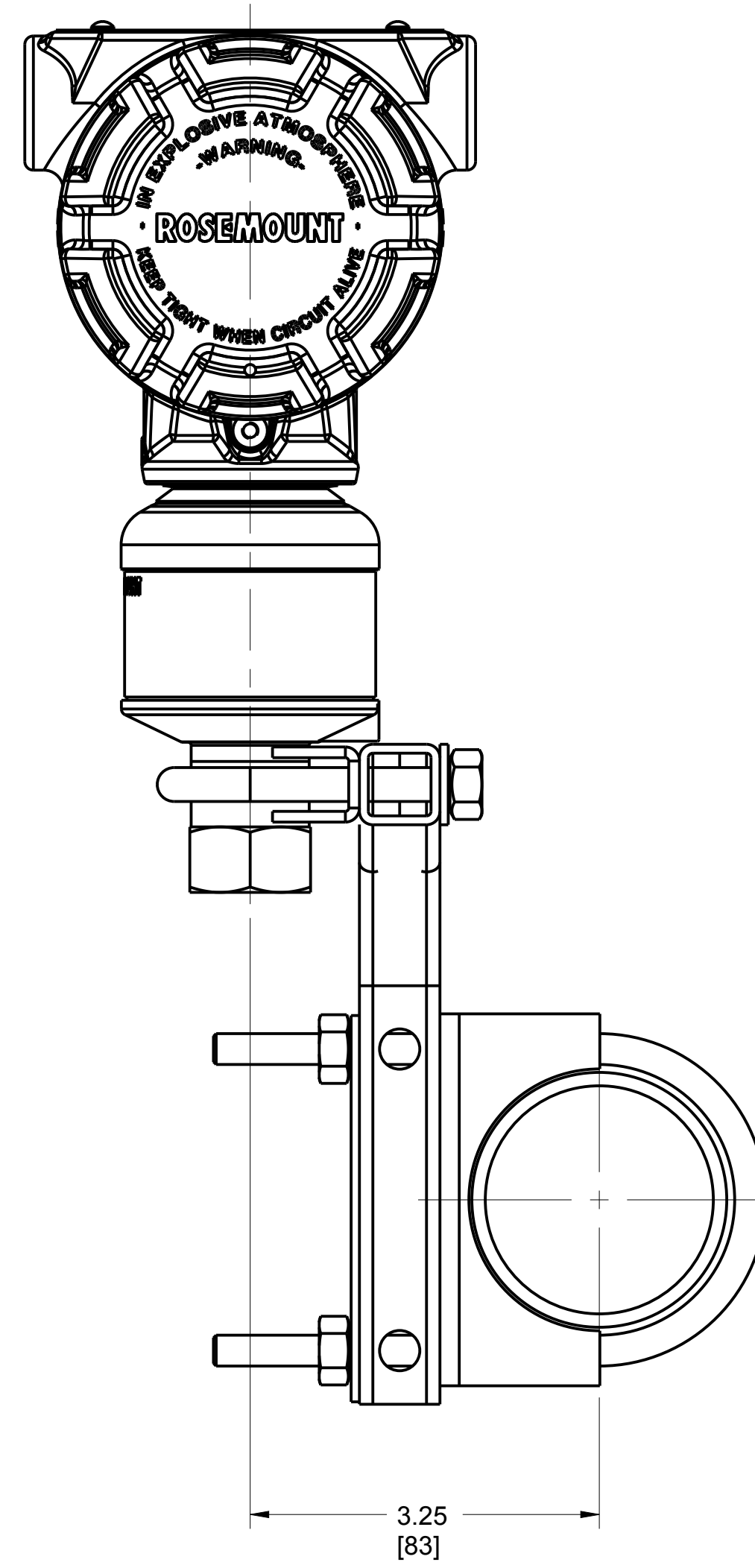
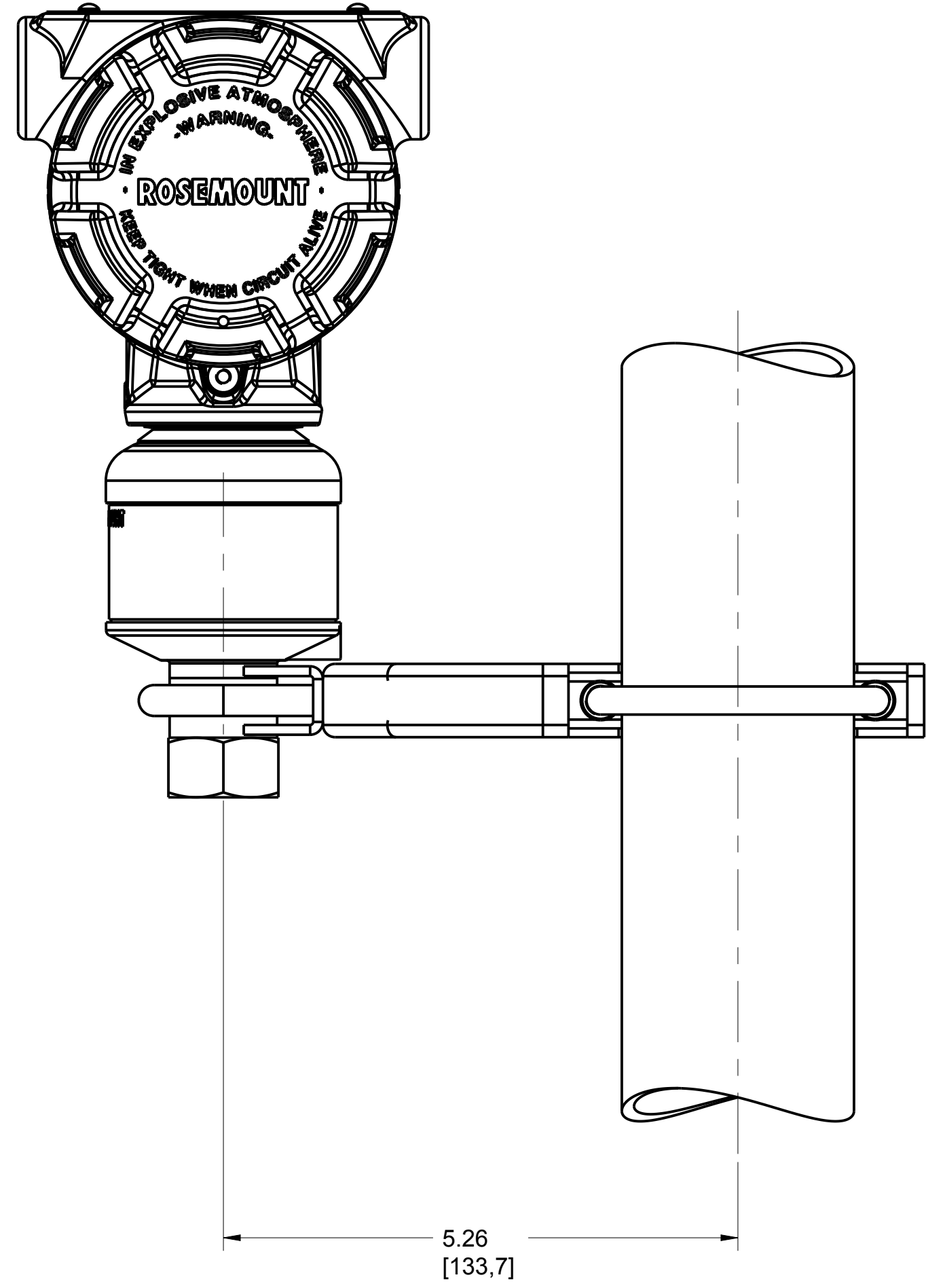
CLICK HERE

REFERENCE ROSEMOUNT
 PRODUCT SPECIFICATIONS.

ROSEMOUNT 3051S SCALABLE IN-LINE PRESSURE TRANSMITTER
 IN-LINE MOUNTING CONFIGURATIONS WITH OPTIONAL MOUNTING BRACKET

PIPE MOUNTING

PANEL MOUNTING



©2015 ROSEMOUNT INC.
 ROSEMOUNT INC. CERTIFIES
 THIS DRAWING IS IN
 ACCORDANCE WITH
 ROSEMOUNT ENGINEERING
 SPECIFICATIONS.
 UNIT NOTES IN INCHES (mm).

EMERSON

3RD ANGLE

SIZE D SCALE NTS

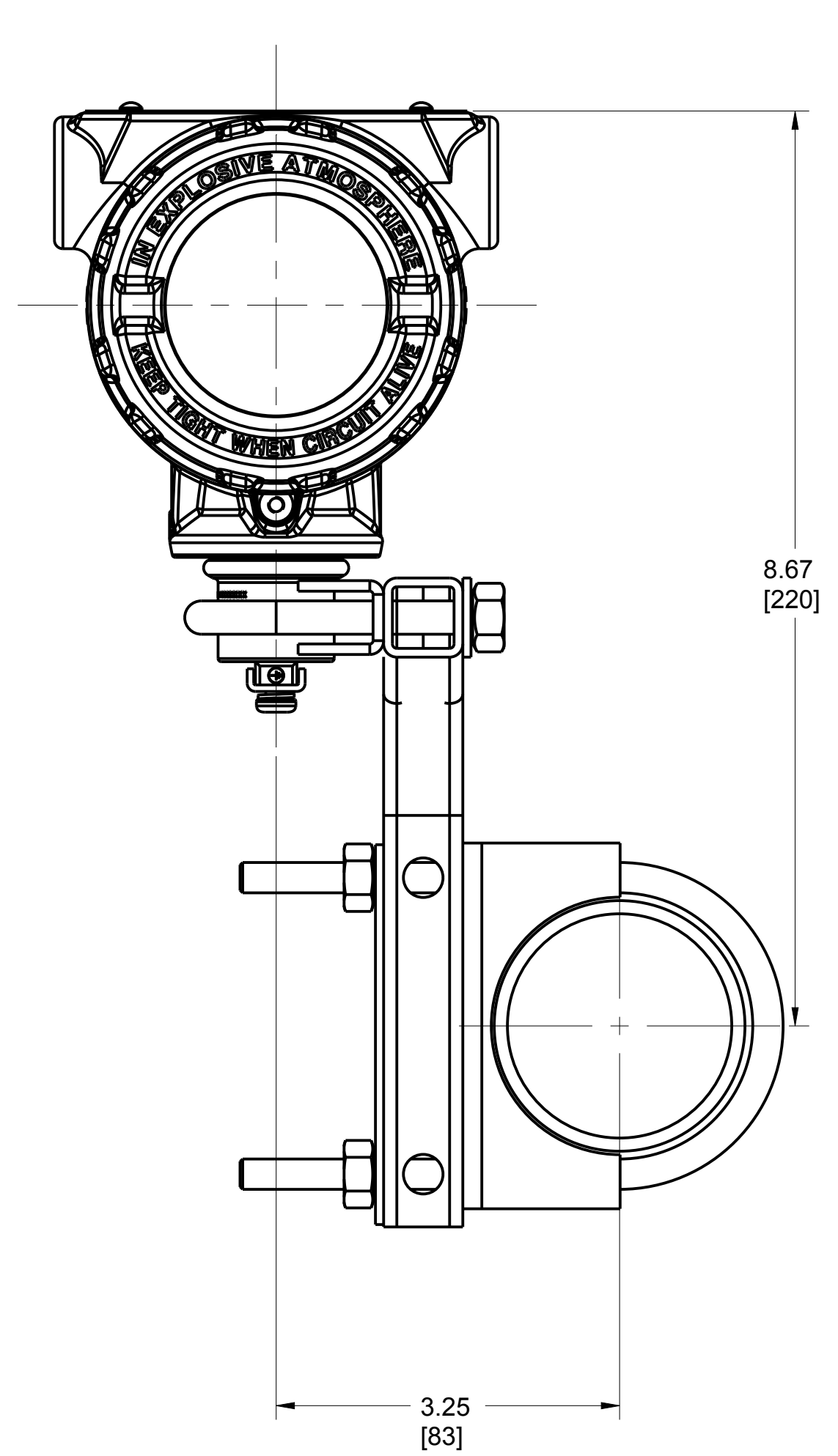
TITLE ROSEMOUNT 3051S IN-LINE TYPE I DRAWING

DR. J. ARMSTRONG 1/16/16 DRAWING NO. 03151-6001

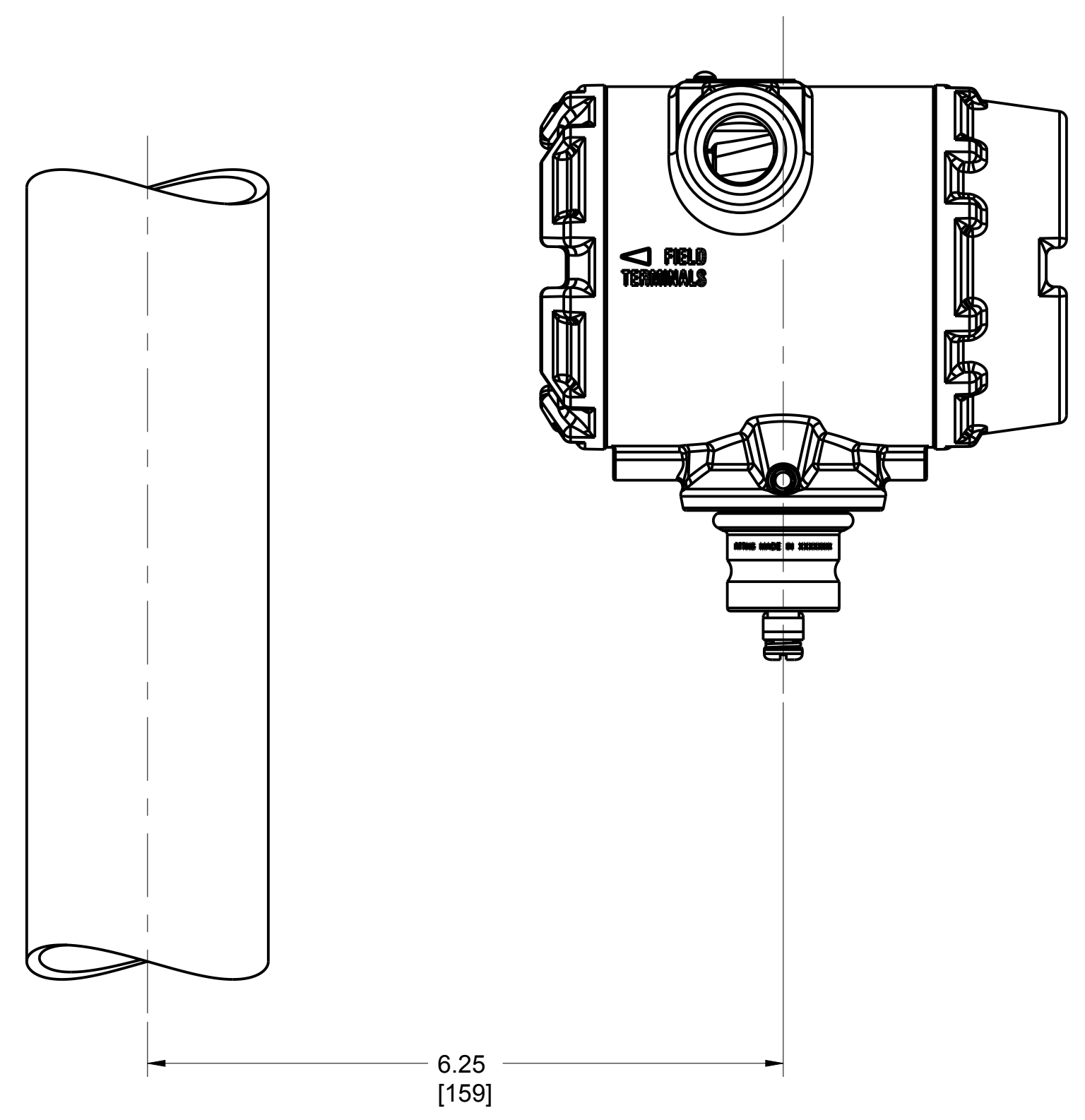
APPROV. MATHIASON 1/16/16

CAD MAINTAINED, (PROE) SHEET 13 OF 14

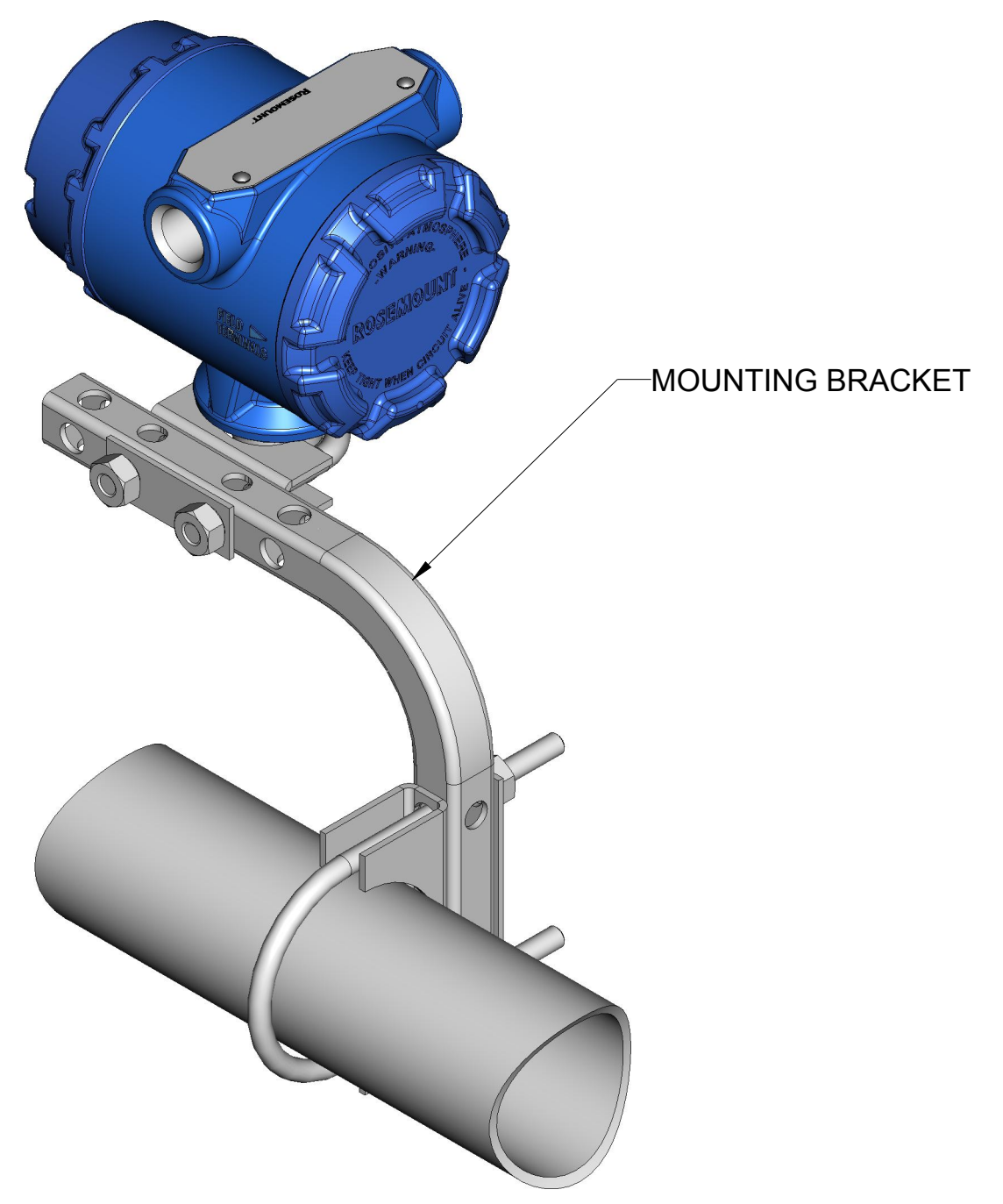
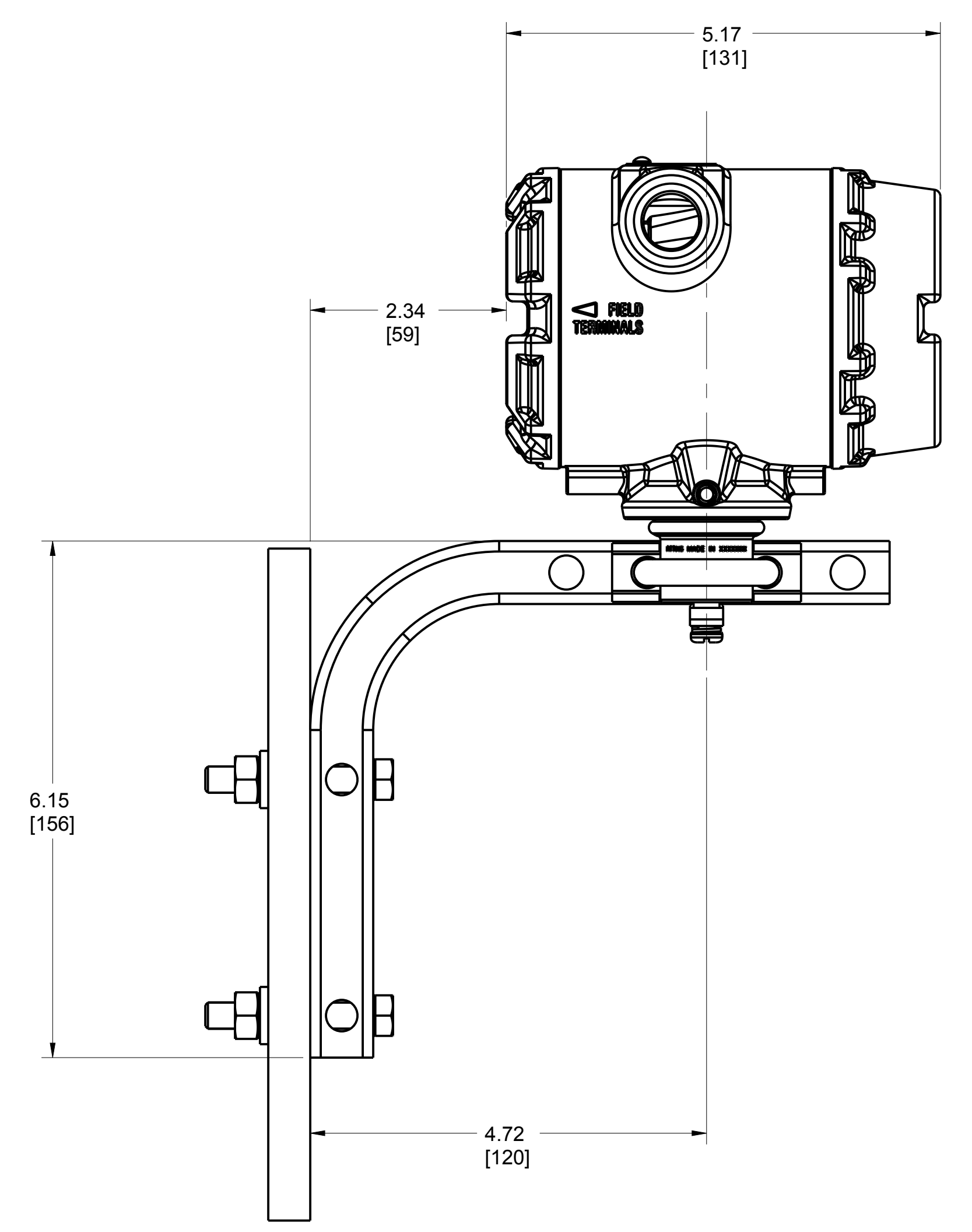
REMOTE DISPLAY MOUNTING CONFIGURATIONS (B4 BRACKET)



PIPE MOUNTING



PANEL MOUNTING



©2015 ROSEMOUNT INC. ROSEMOUNT INC. CERTIFIES THIS DRAWING IS IN ACCORDANCE WITH ROSEMOUNT ENGINEERING SPECIFICATIONS. UNIT NOTES IN INCHES (mm). REFERENCE ROSEMOUNT PRODUCT SPECIFICATIONS. CLICK HERE	3RD ANGLE	SIZE D	SCALE NTS
	TITLE ROSEMOUNT 3051S IN-LINE TYPE I DRAWING		
	DR. J. ARMSTRONG APP'D: MATHIASON	1/16/16 1/16/16	DRAWING NO. 03151-6001