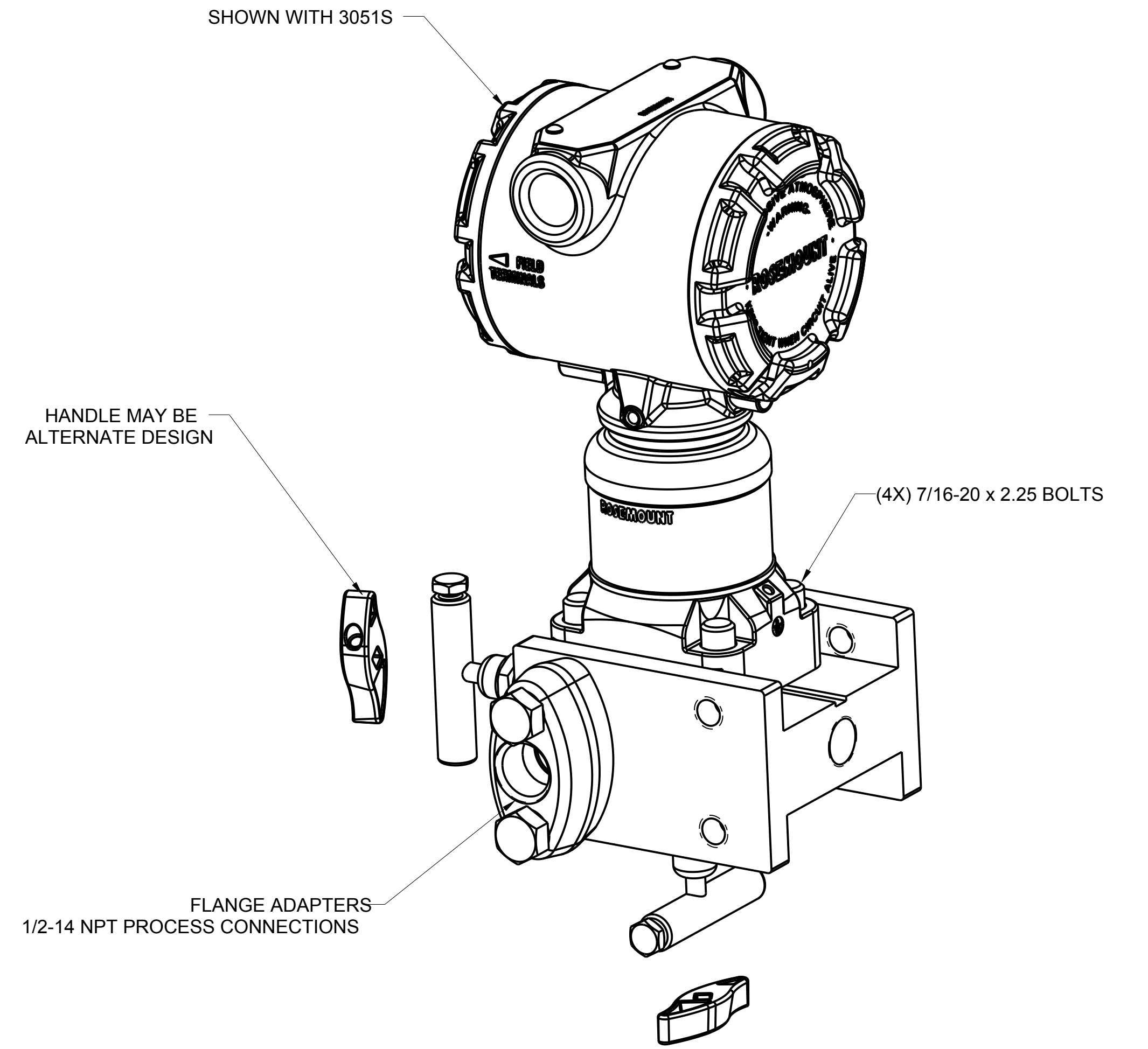
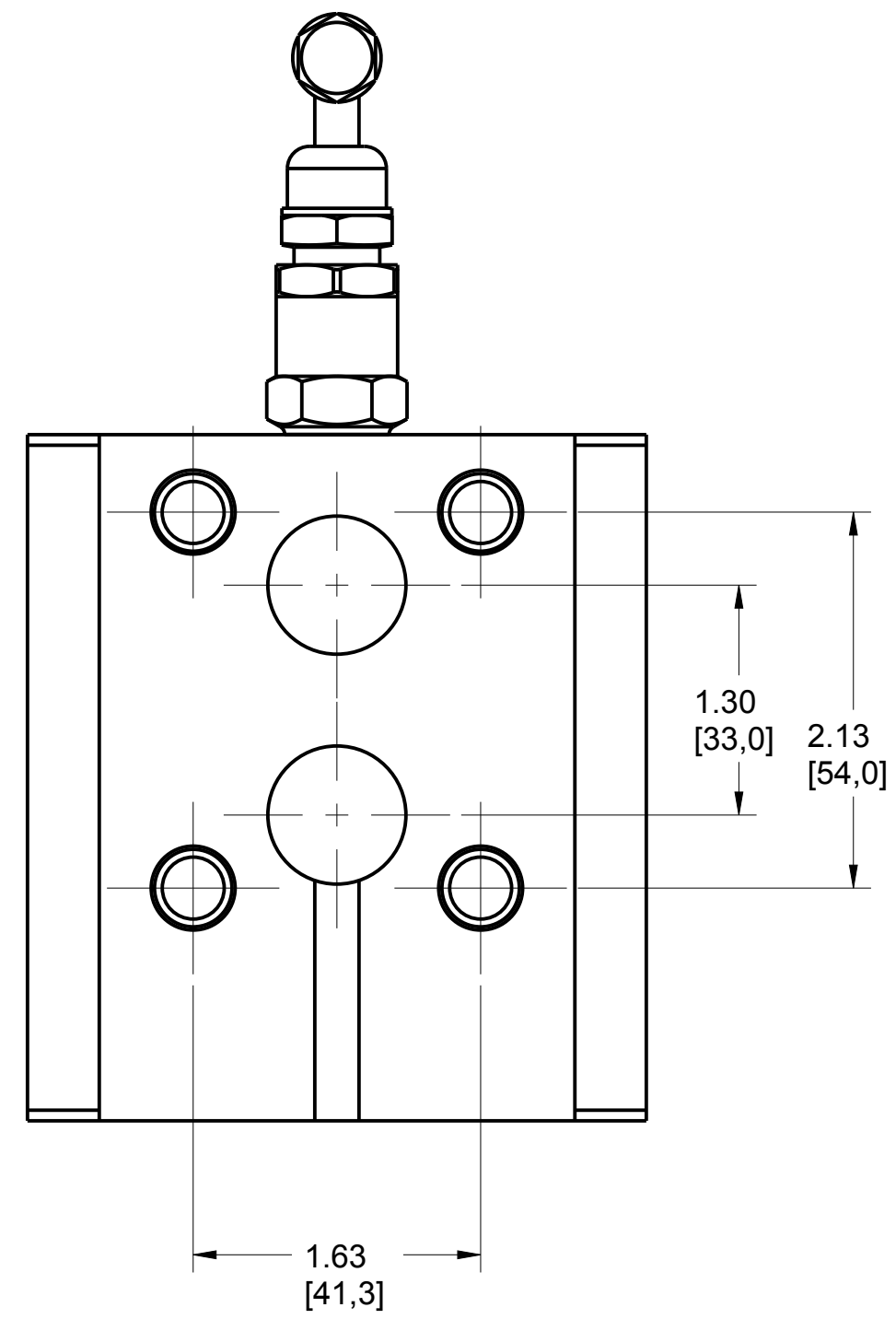
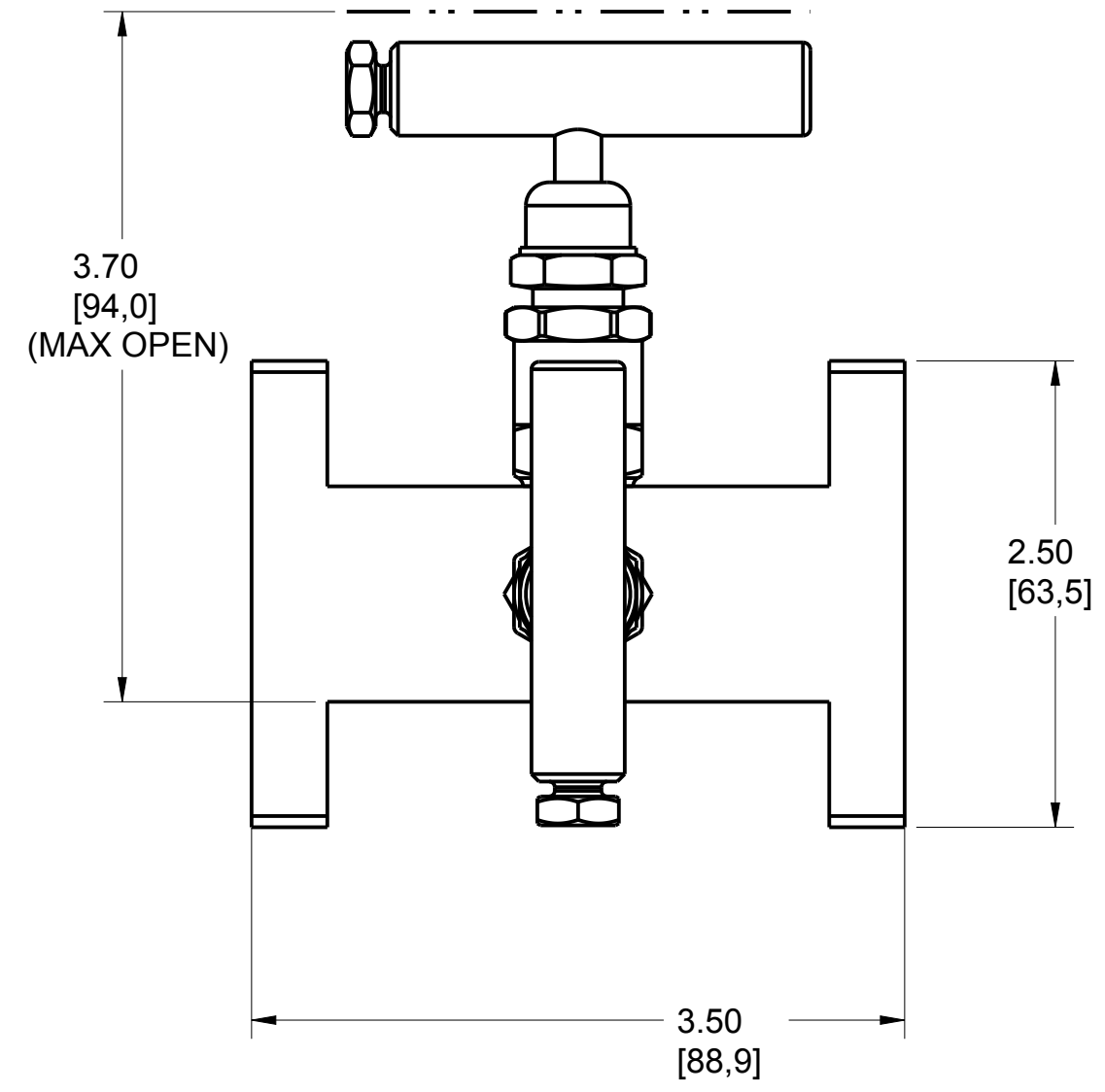
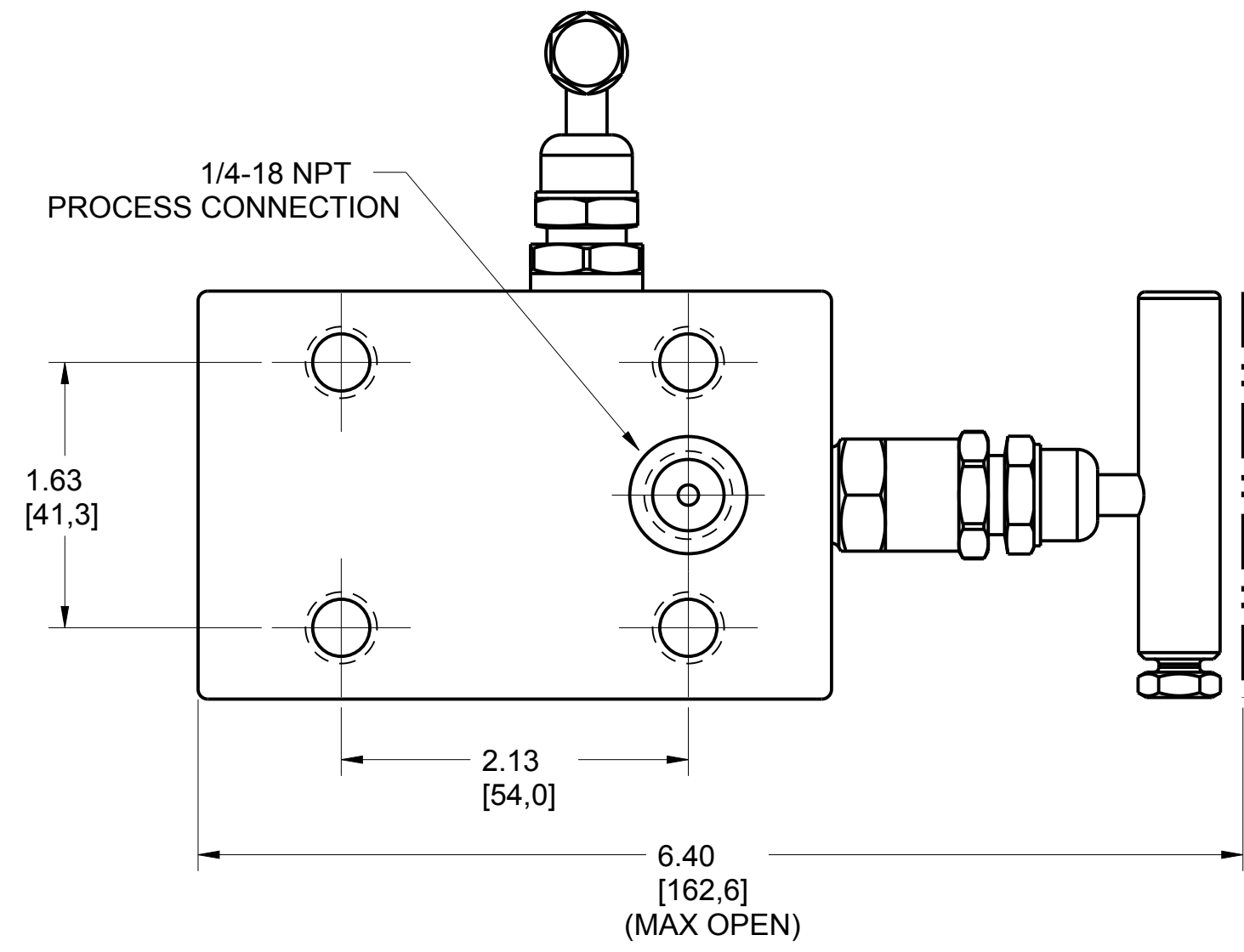


MODEL 305RT TWO VALVE TRADITIONAL STYLE MANIFOLD  
 MODEL 305RT2 TWO VALVE

REVISION TABLE			
REVISION	ECO NO.	APP'D	DATE
AF	RTC1066867	T. STROTH	11/08/16
DESCRIPTION			
ADD NEW MANIFOLDS AND UPDATE TITLEBLOCK.			



©2015 ROSEMOUNT INC.  
 ROSEMOUNT INC. CERTIFIES  
 THIS DRAWING IS MADE IN  
 ACCORDANCE WITH  
 ROSEMOUNT ENGINEERING  
 SPECIFICATIONS.  
 UNIT NOTES IN INCHES (mm).

REFERENCE ROSEMOUNT  
 PRODUCT SPECIFICATIONS.  
 CLICK HERE

3RD ANGLE

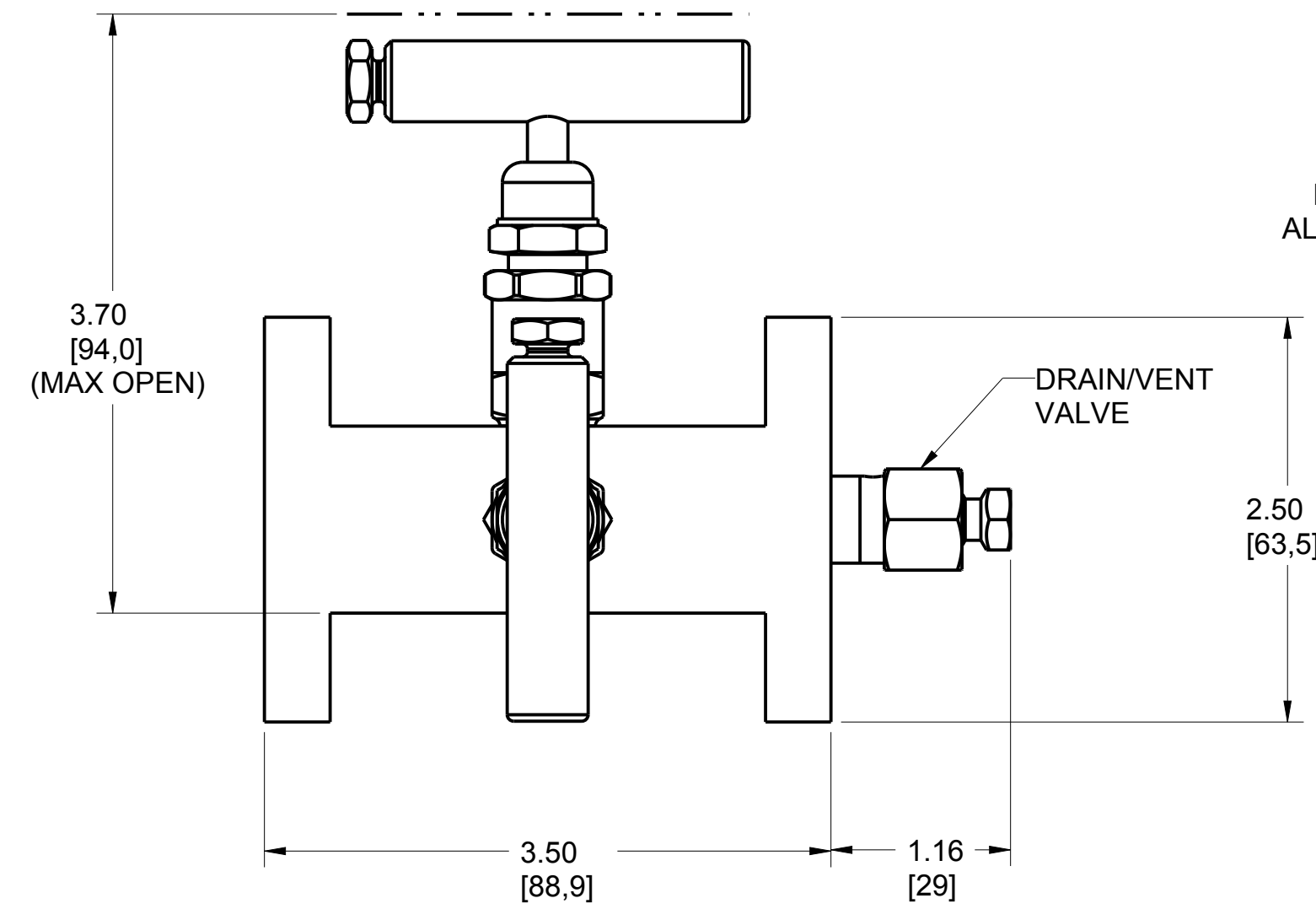
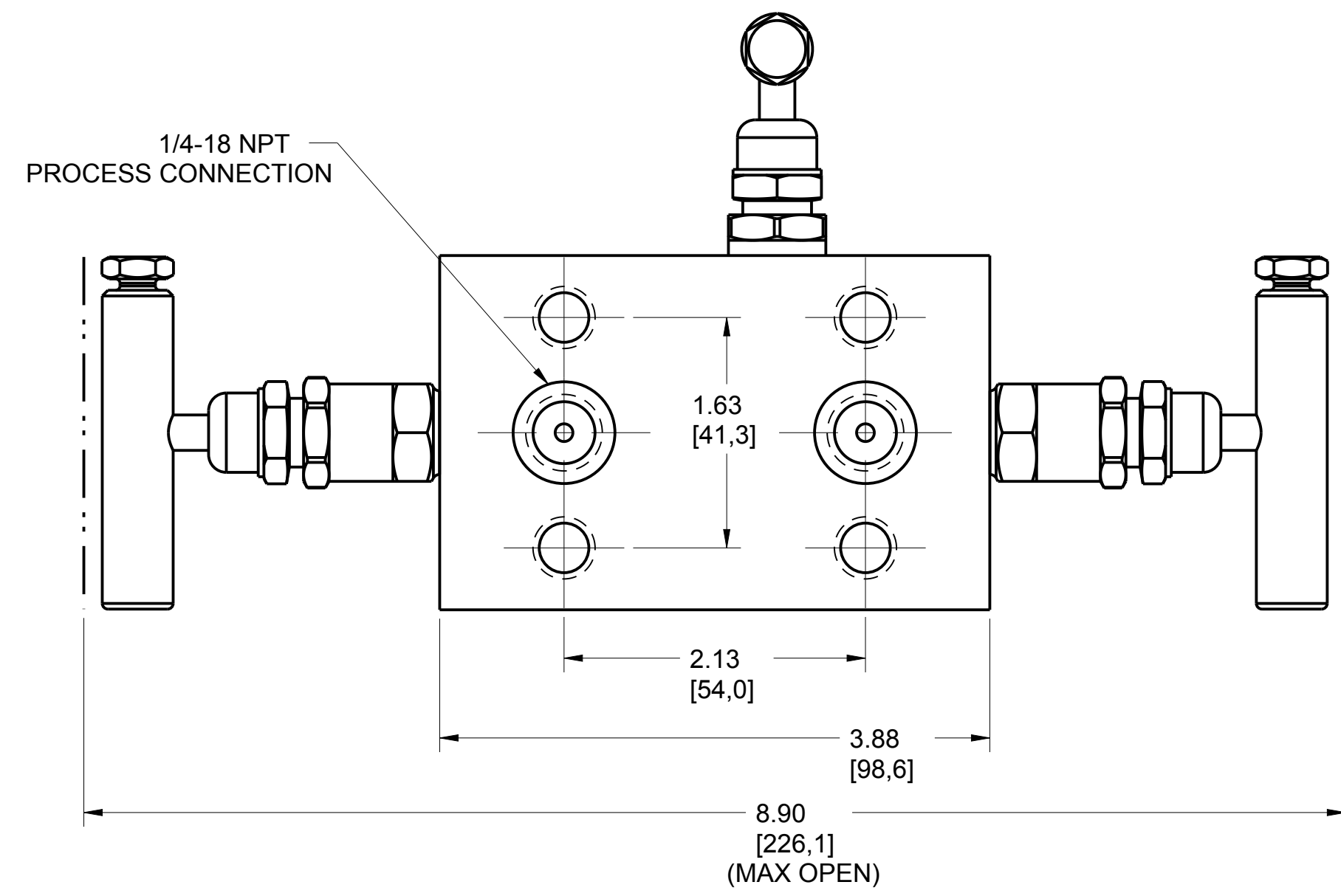
EMERSON

TITLE ROSEMOUNT 305RT MANIFOLD  
 TYPE I DRAWING

DR. J. ARMSTRONG 10/27/16 DRAWING NO.  
 APP'D T. STROTH 10/27/16 00305-3012

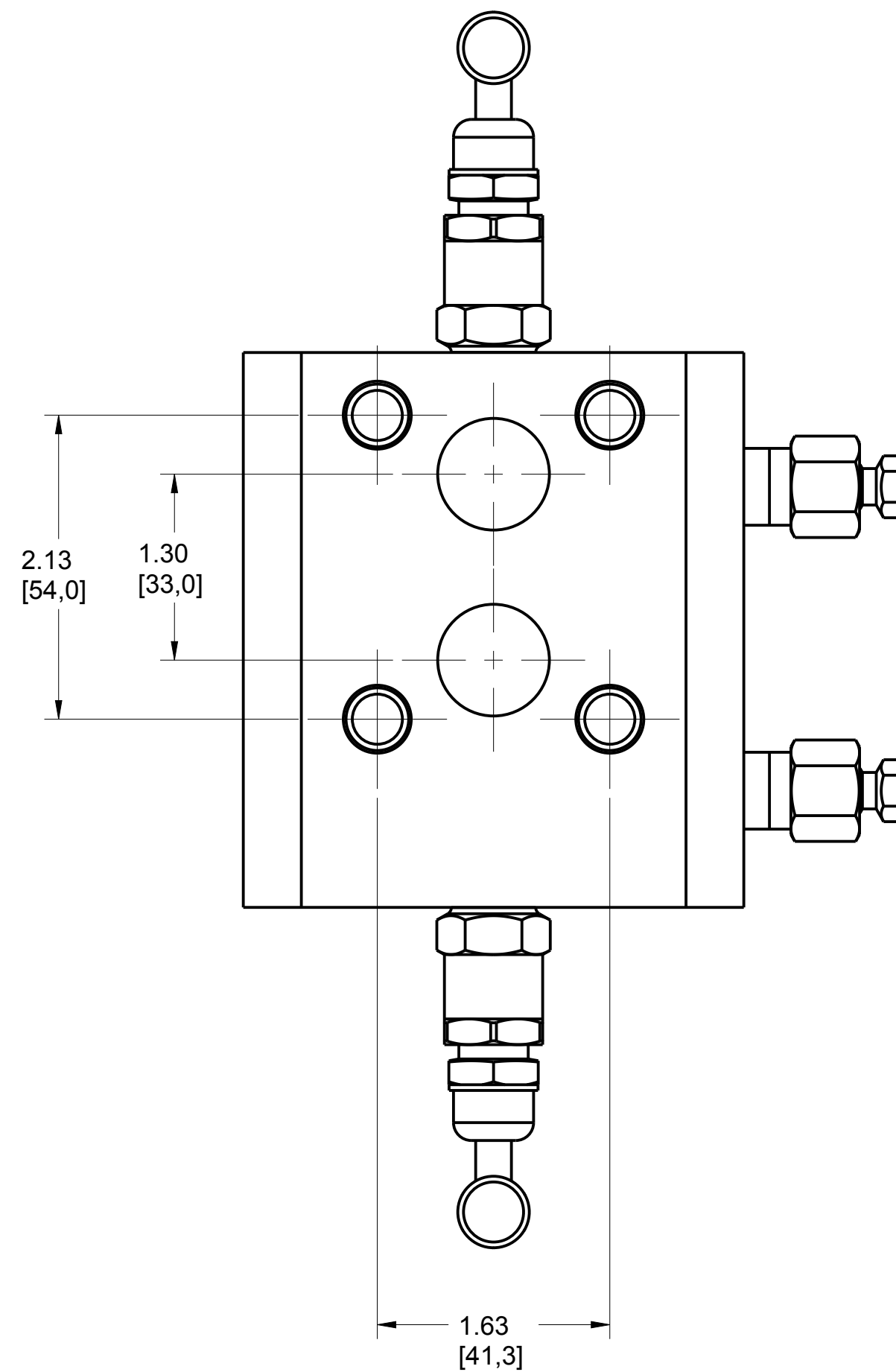
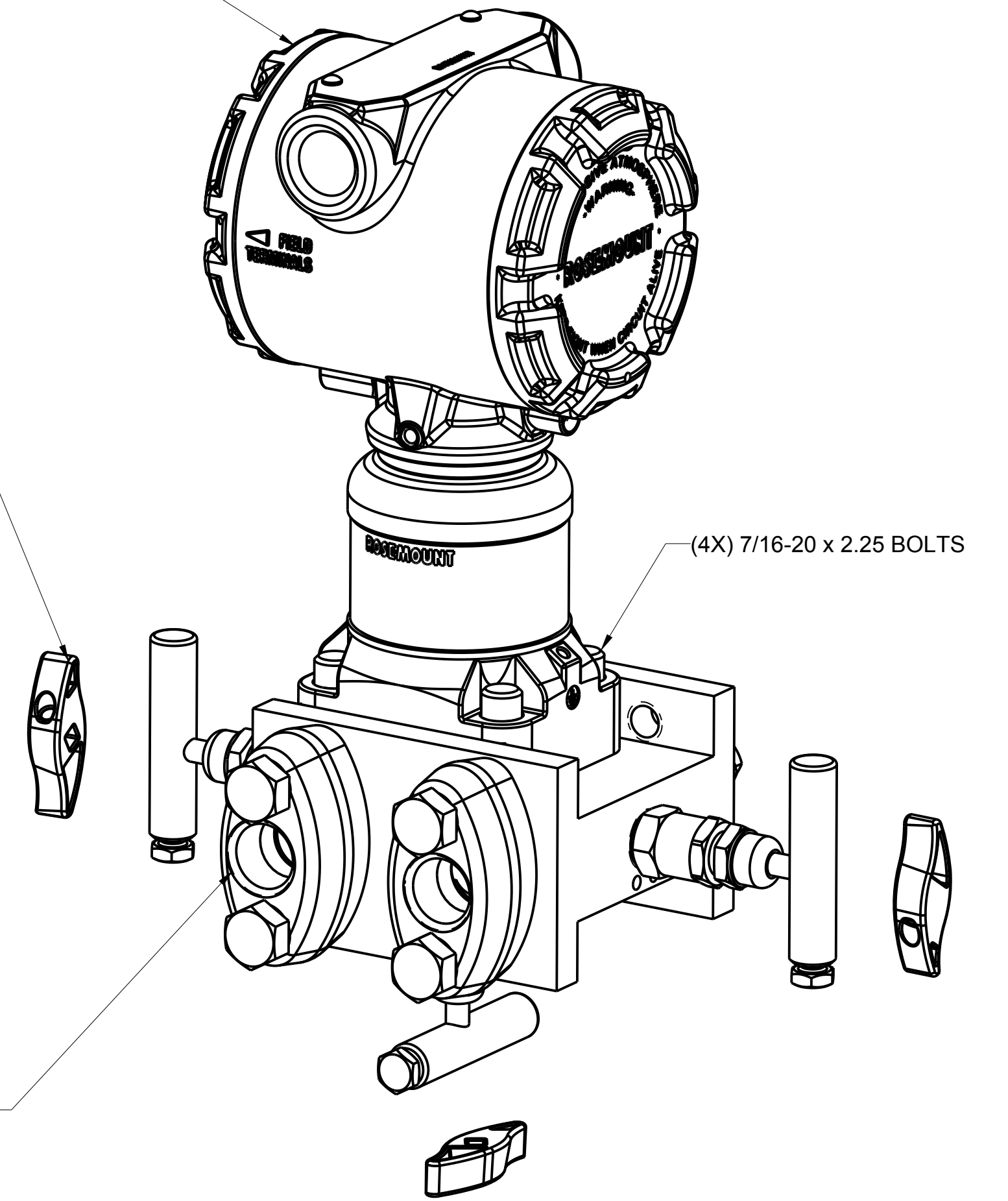
CAD MAINTAINED, (PROE) SHEET 1 OF 2

MODEL 305RT THREE VALVE TRADITIONAL STYLE MANIFOLD  
 MODEL 305RT3 THREE VALVE



SHOWN WITH 3051S

HANDLE MAY BE  
ALTERNATE DESIGN



©2015 ROSEMOUNT INC. ROSEMOUNT INC. CERTIFIES THIS DRAWING AS BEING ACCORDANCE WITH ROSEMOUNT ENGINEERING SPECIFICATIONS. UNIT NOTES IN INCHES (mm). REFERENCE ROSEMOUNT PRODUCT SPECIFICATIONS. CLICK HERE	3RD ANGLE	SIZE D	SCALE NTS
	<b>TITLE ROSEMOUNT 305RT MANIFOLD TYPE I DRAWING</b>		
	DR. J. ARMSTRONG 10/27/16 APP'D T. STROTH 10/27/16	DRAWING NO. 00305-3012	SHEET 2 OF 2