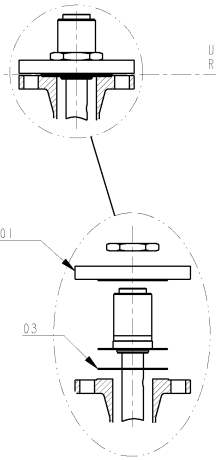
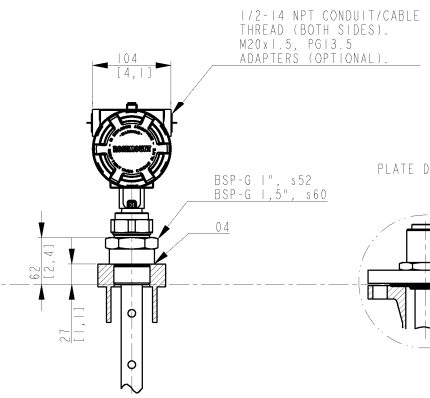
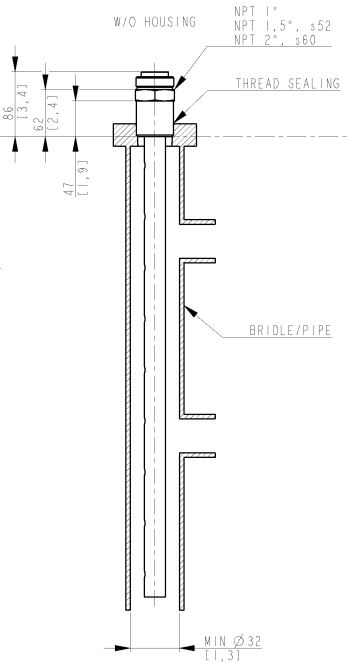


DEPENDS ON TURBULENCE IN TANK AND MOUNTING ANGLE. THE PROBE MAY NEED TO BE ANCHORED OR SUPPORTED.



UPPER REF. POINT

FOR MORE INFO, SEE REFERENCE MANUAL.

1. P/T-RATING FOR FLANGE: SEE REF. MANUAL.

04	GASKET	I	ACC. TO BSP-G THREAD STD.	CUSTOMER
03	GASKET	I	SOFT GASKET T=MIN 1.6 (ANSI B16.5/1c, EN1514-1/1BC). SEE NOTE 1.	CUSTOMER
02	SCREW/NUT/WASHER	-	ACC. TO FLANGE STD. SEE NOTE 1.	CUSTOMER
01	FLANGE	I	DIM. ACC. TO ANSI B 16.5/EN 1092-1. OTHER ON REQUEST. P/T RATING. SEE NOTE 1.	RMT

POS	ITEM	DESCRIPTION	QTY	REMARK	SUPPLIER
EMe-HW-C	0909	3300	PRO/E	INSTALLATION DRAWING TITLE	
EMe-HF	0909	9150077-975	SCALE	MECHANICAL INSTALLATION DWG	
			T ST ANGLE	COAXIAL LEAD	
			DOC TYPE	DWG NO	ISSUE SHEET
			2	9150077-975	03 1/1

ROSEMOUNT

THE COPYRIGHT/OWNERSHIP OF THIS DOCUMENT IS AND WILL REMAIN OURS. THE DOCUMENT MUST NOT BE USED WITHOUT OUR AUTHORIZATION OR BROUGHT TO THE KNOWLEDGE OF A THIRD PARTY. CONTRAVENTION WILL BE PROSECUTED. ROSEMOUNT TANK-RADAR AB, SWEDEN