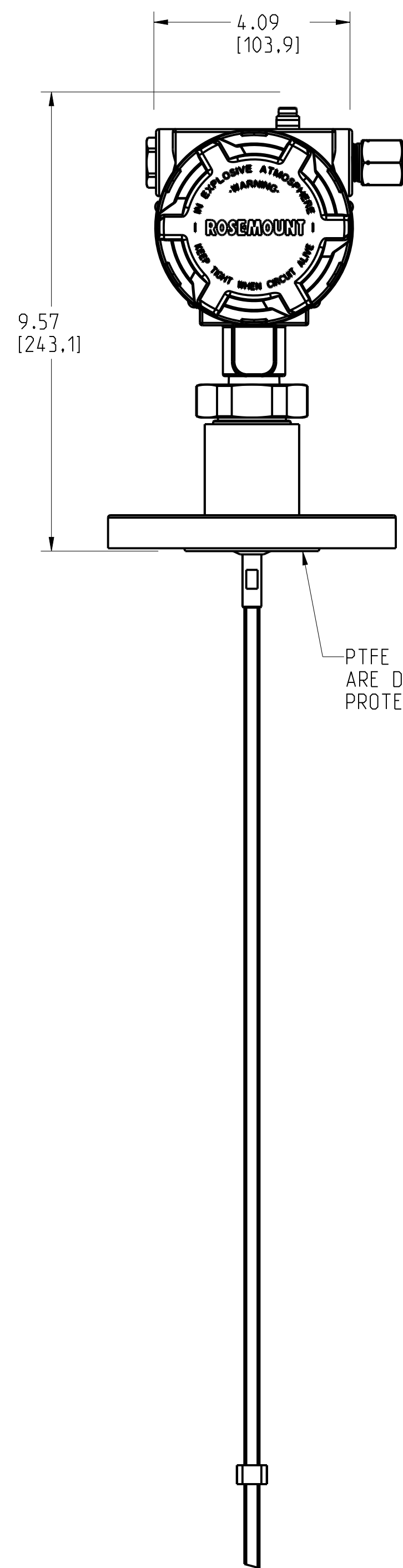


ROSEMOUNT 3301/3302 LEVEL RADAR AND LIQUID LEVEL TRANSMITTER PROCESS CONNECTION TYPES

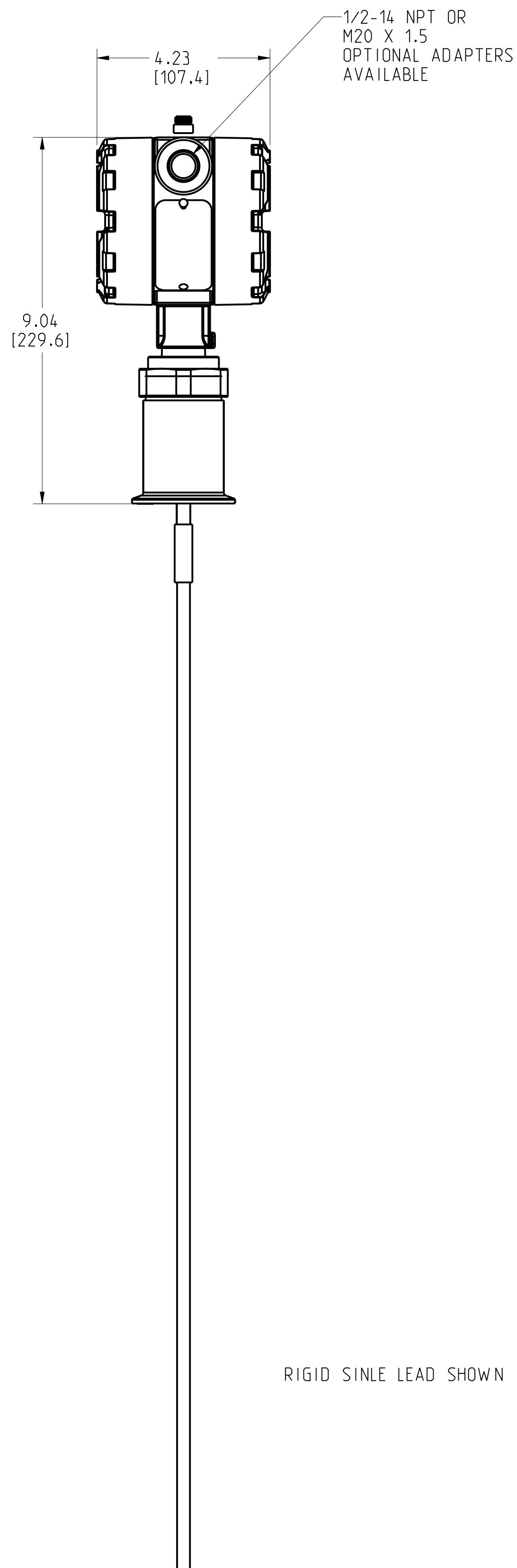
REVISION TABLE			
REVISION	ECO NO.	APP'D	DATE
AB	RTC1080847	B. HAGGLUND	5/9/23
DESCRIPTION			
ADDED ONE-PIECE FORGED FLANGE GWR S-SEAL. HTHP REMOVED.			

FLANGE STYLE PROCESS CONNECTION



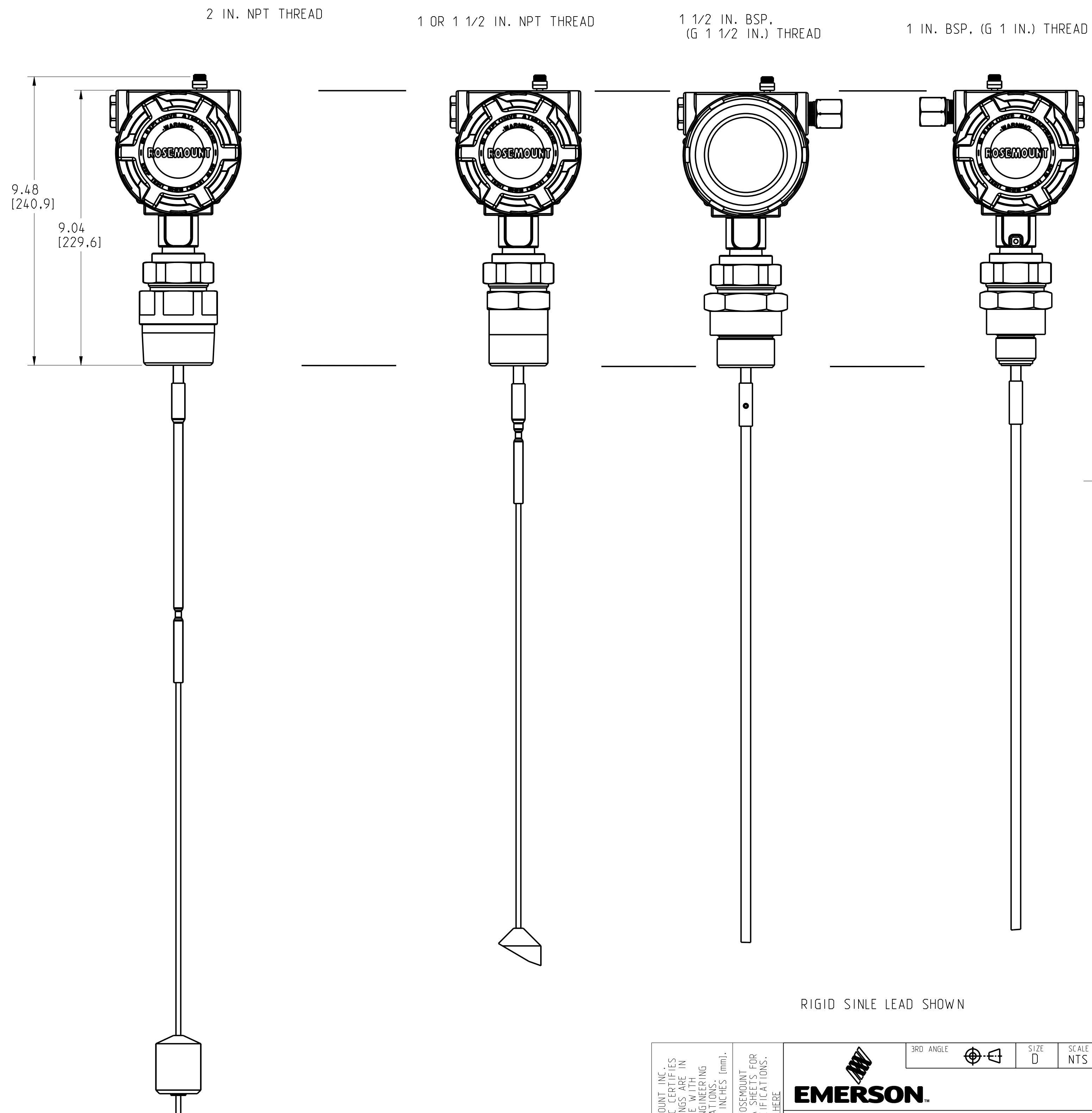
RIGID TWIN LEAD SHOWN

TRI-CLAMP PROCESS CONNECTION



RIGID SINLE LEAD SHOWN

THREAD TYPE PROCESS CONNECTION



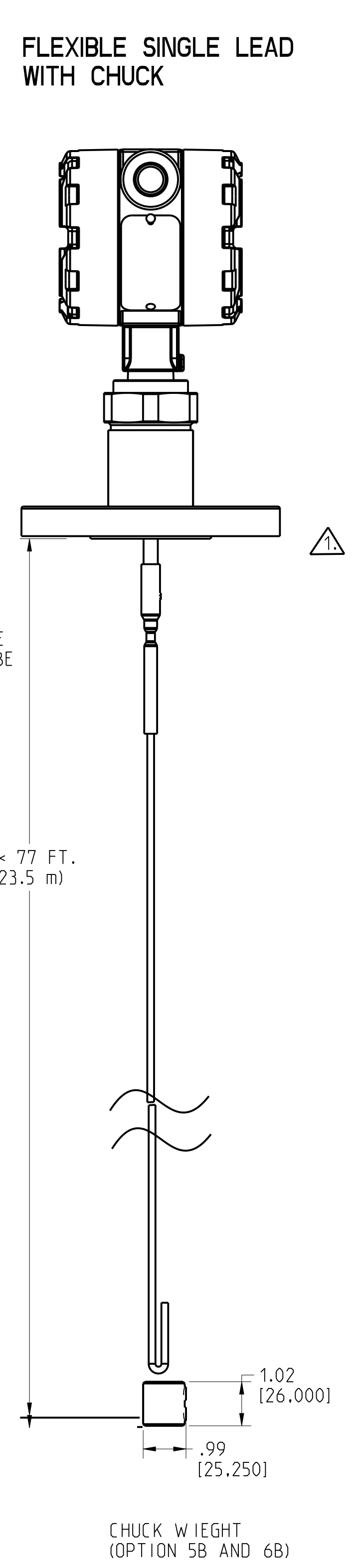
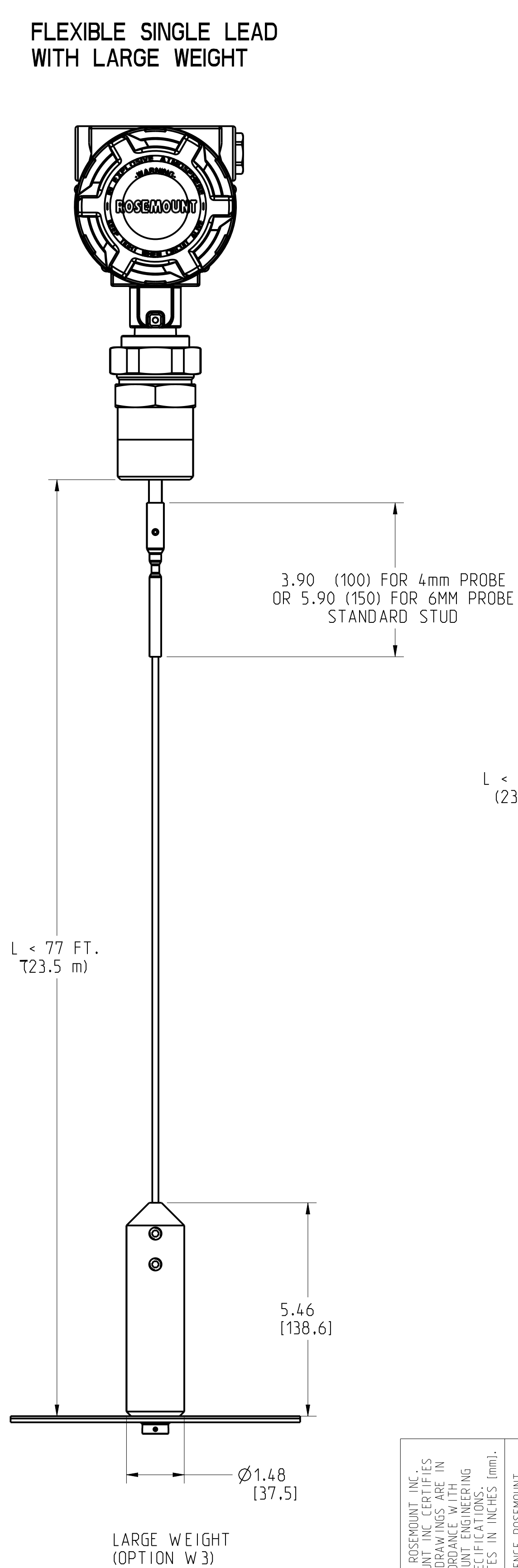
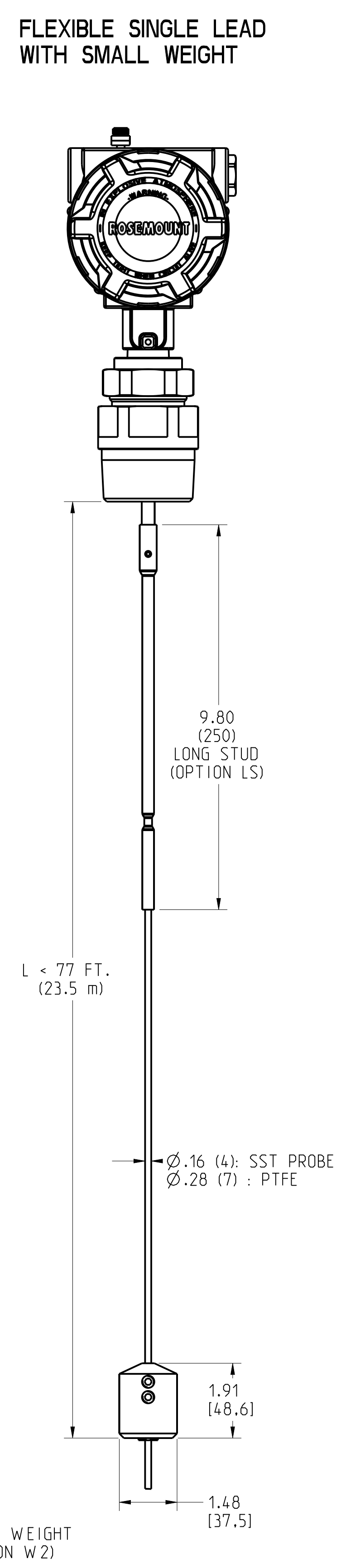
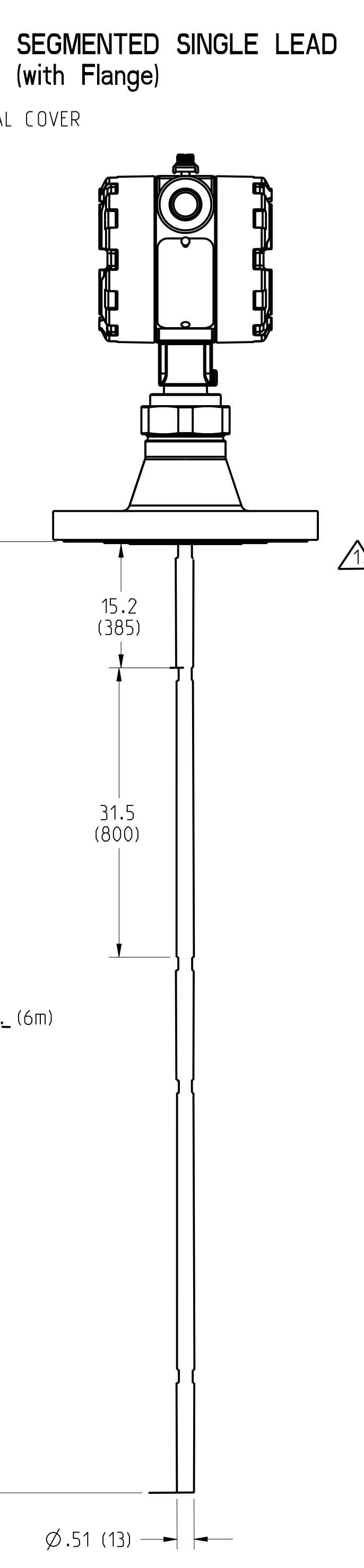
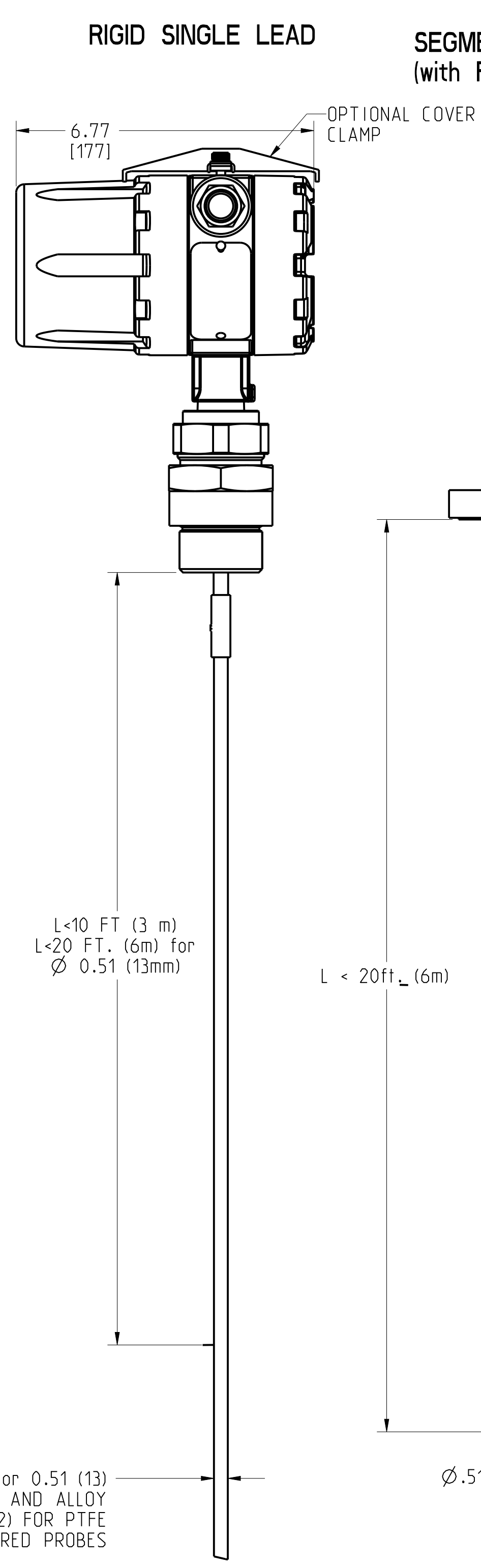
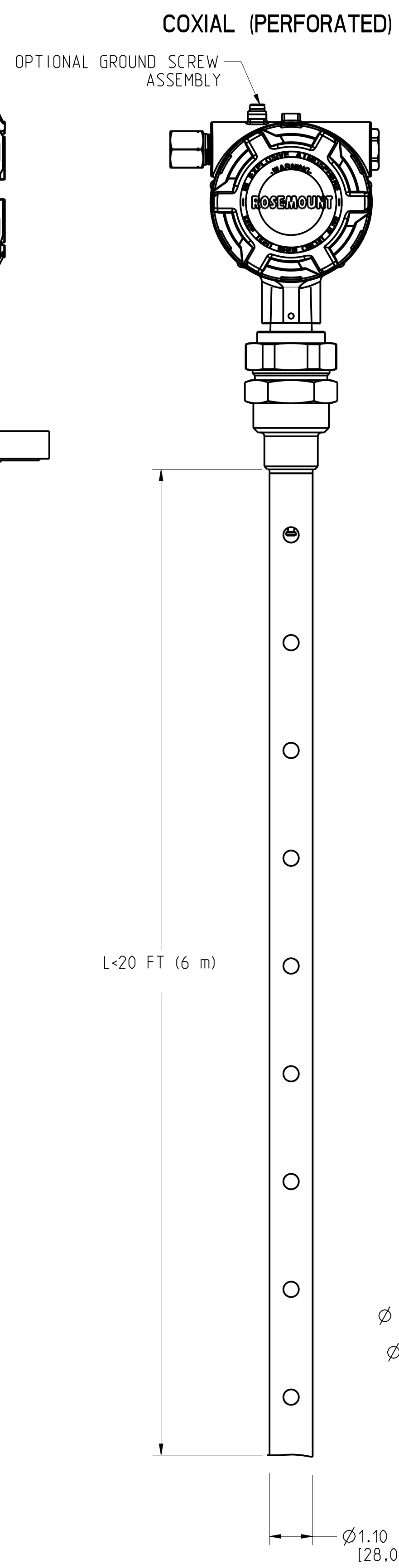
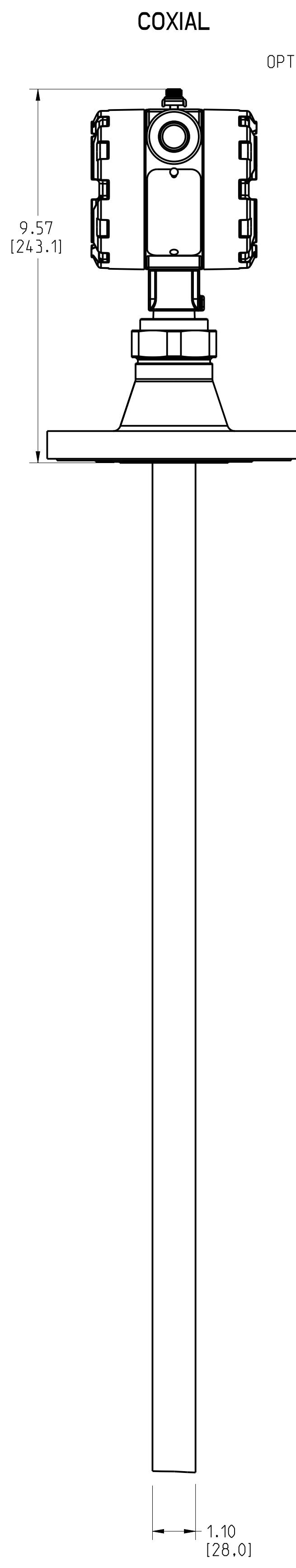
FLEXIBLE SINGLE LEAD W/ WHT. SHOWN

NOTE:

⚠️ FLANGE SIZES (2", 3", 4", 150# AND 300#) ARE ONE-PIECE DESIGN WITH SINGLE LEAD PROBE.

<small>©2015 ROSEMOUNT, INC. ROSEMOUNT INC. EXPRESSLY DISCLAIMS ANY LIABILITY IN THIS DOCUMENT. THIS DRAWING IS TO BE USED IN ACCORDANCE WITH ROSEMOUNT ENGINEERING SPECIFICATIONS. UNIT NOTES IN INCHES (mm). REFERENCE ROSEMOUNT PRODUCT SPECIFICATIONS FOR PRODUCT SPECIFICATIONS. CLICK HERE</small>	3RD ANGLE	SIZE D	SCALE NTS
	TITLE ROSEMOUNT 3301/3302 TYPE I DRAWING		
	DR. J. ARMSTRONG APPNL ANDERSTROM CAD MAINTAINED (PRO/EI)	2/18/16 2/17/16	DRAWING NO. 03302-7000

ROSEMOUNT 3301/3302 RADAR AND INTERFACE LIQUID LEVELS TRANSMITTER PROBE TYPES



©2015 ROSEMOUNT INC. ROSEMOUNT INC. ACCEPTS THIS DRAWING AS IS IN ACCORDANCE WITH ROSEMOUNT ENGINEERING SPECIFICATIONS. UNIT NOTES IN INCHES (mm).

REFERENCE ROSEMOUNT PRODUCT LITERATURE FOR PRODUCT SPECIFICATIONS. CLICK HERE

3RD ANGLE

EMERSON

TITLE ROSEMOUNT 3301/3302 TYPE I DRAWING

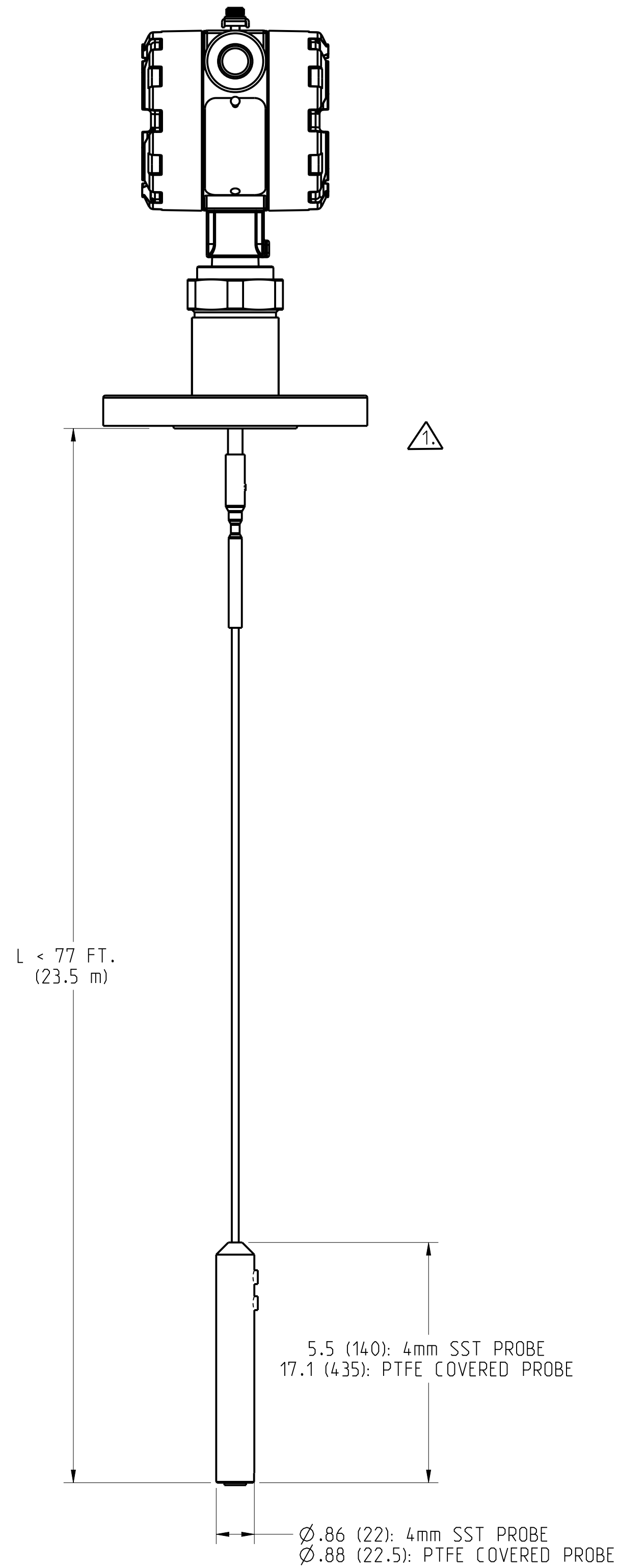
DR. J. ARMSTRONG 2/18/16 DRAWING NO. 03302-7000

APPL. ANDERSTROM 2/17/16

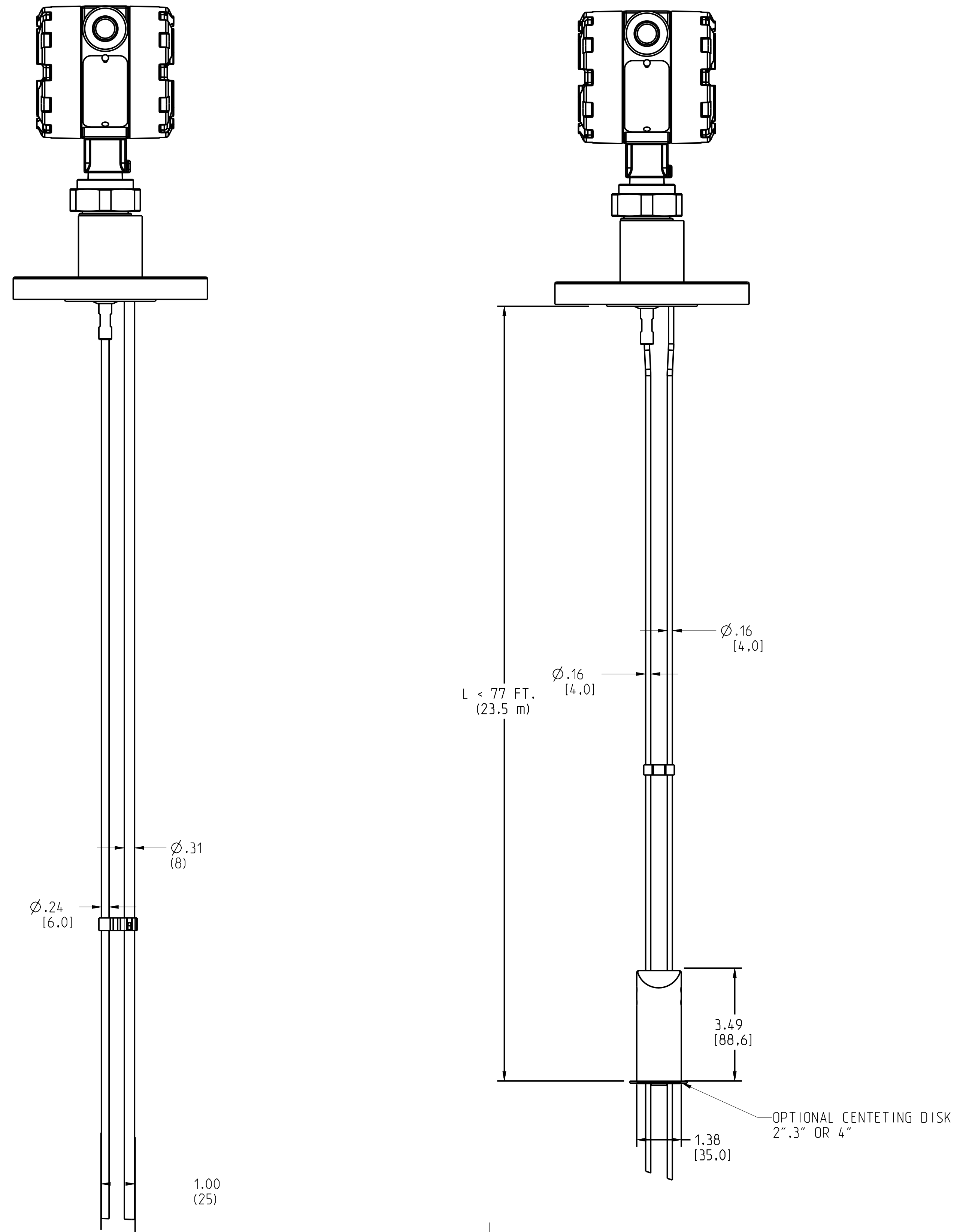
CAD MAINTAINED (PRO/E) SHEET 2 OF 4

ROSEMOUNT 3301/3302 RADAR AND INTERFACE LIQUID LEVELS TRANSMITTER
 PROBE TYPES (CONTINUED)

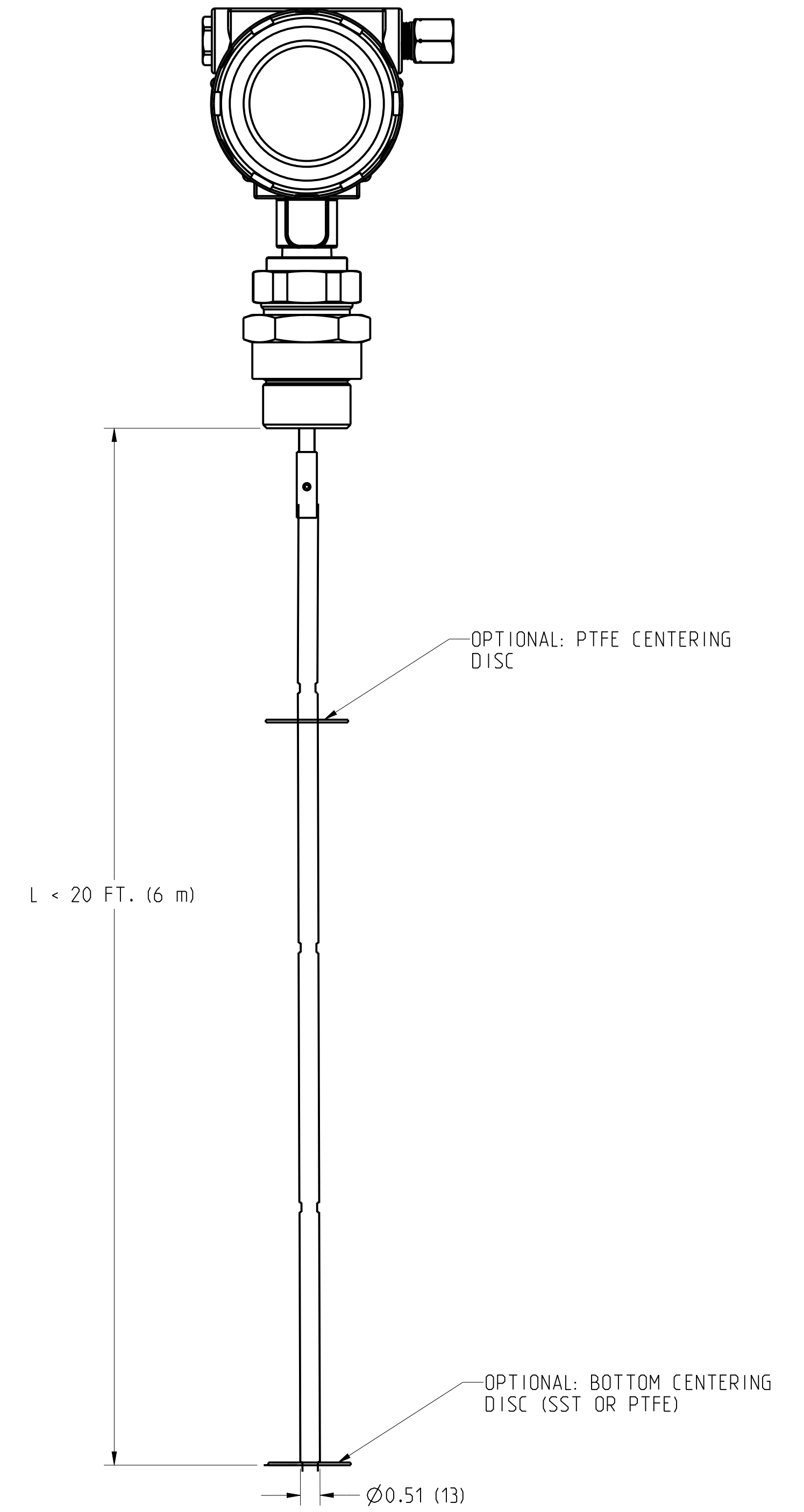
FLEXIBLE SINGLE LEAD
 WITH WEIGHT



FLEXIBLE TWIN LEAD
 WITH WEIGHT



SEGMENTED SINGLE LEAD
 (with thread)



©2015 ROSEMOUNT INC. ALL RIGHTS RESERVED. THIS DOCUMENT IS UNCLASSIFIED IN ACCORDANCE WITH ROSEMOUNT ENGINEERING SPECIFICATIONS. UNIT NOTES IN INCHES (mm).

REFERENCE ROSEMOUNT PRODUCT SHEETS FOR PRODUCT SPECIFICATIONS. CLICK HERE

3RD ANGLE

EMERSON

TITLE ROSEMOUNT 3301/3302 TYPE I DRAWING

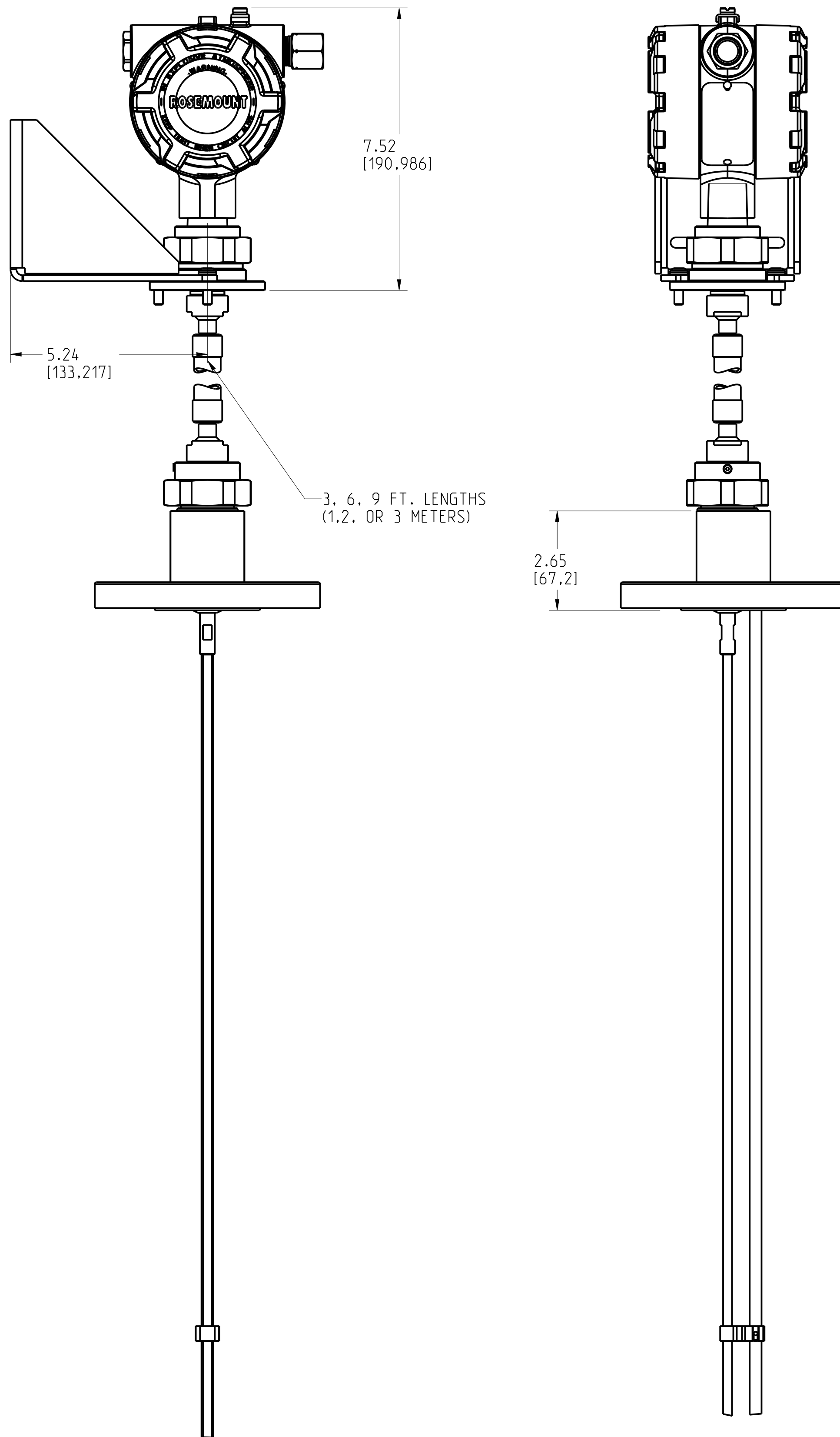
DR. J. ARMSTRONG 2/18/16 DRAWING NO. 03302-7000

APPNL ANDERSTROM 2/17/16

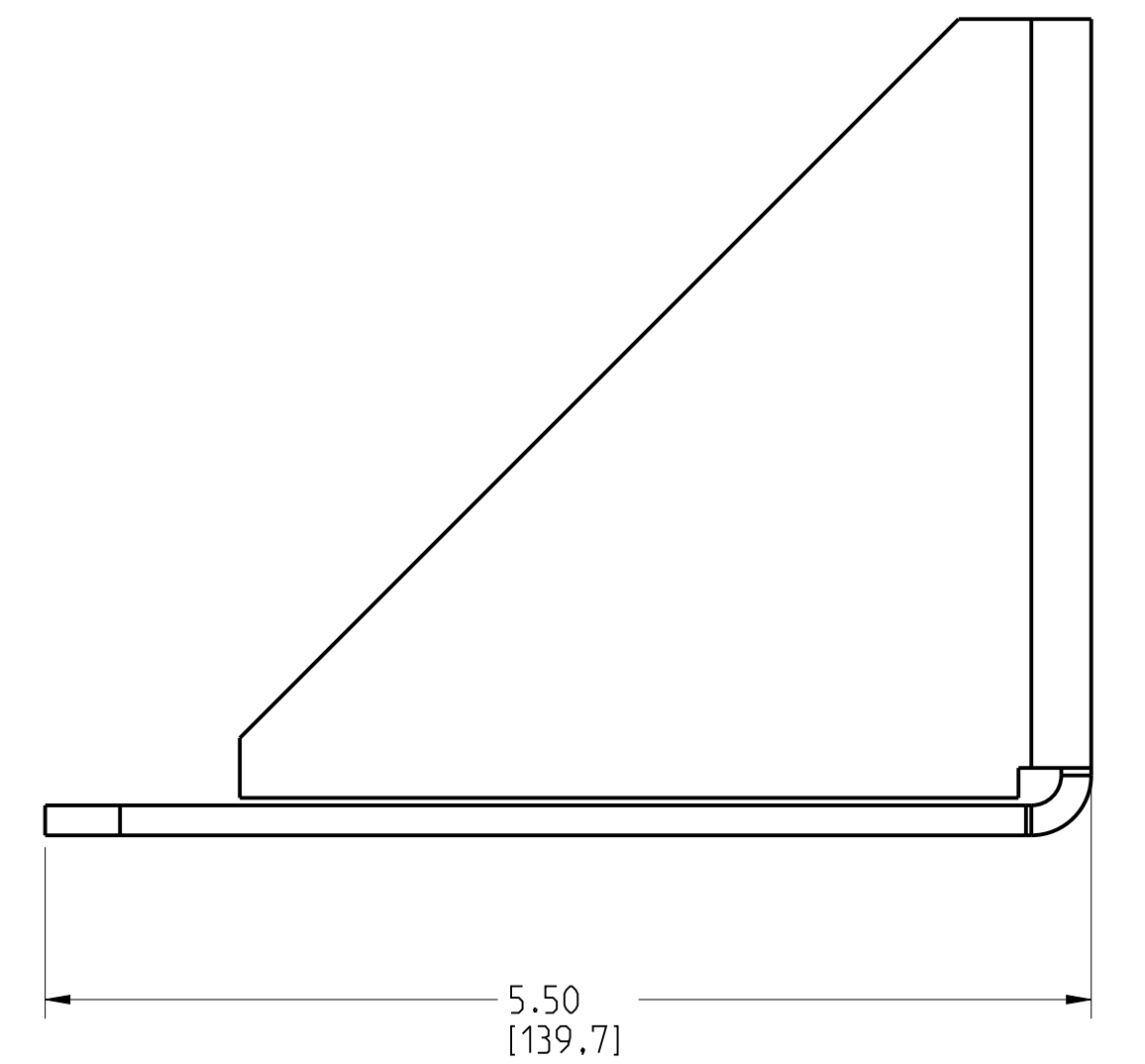
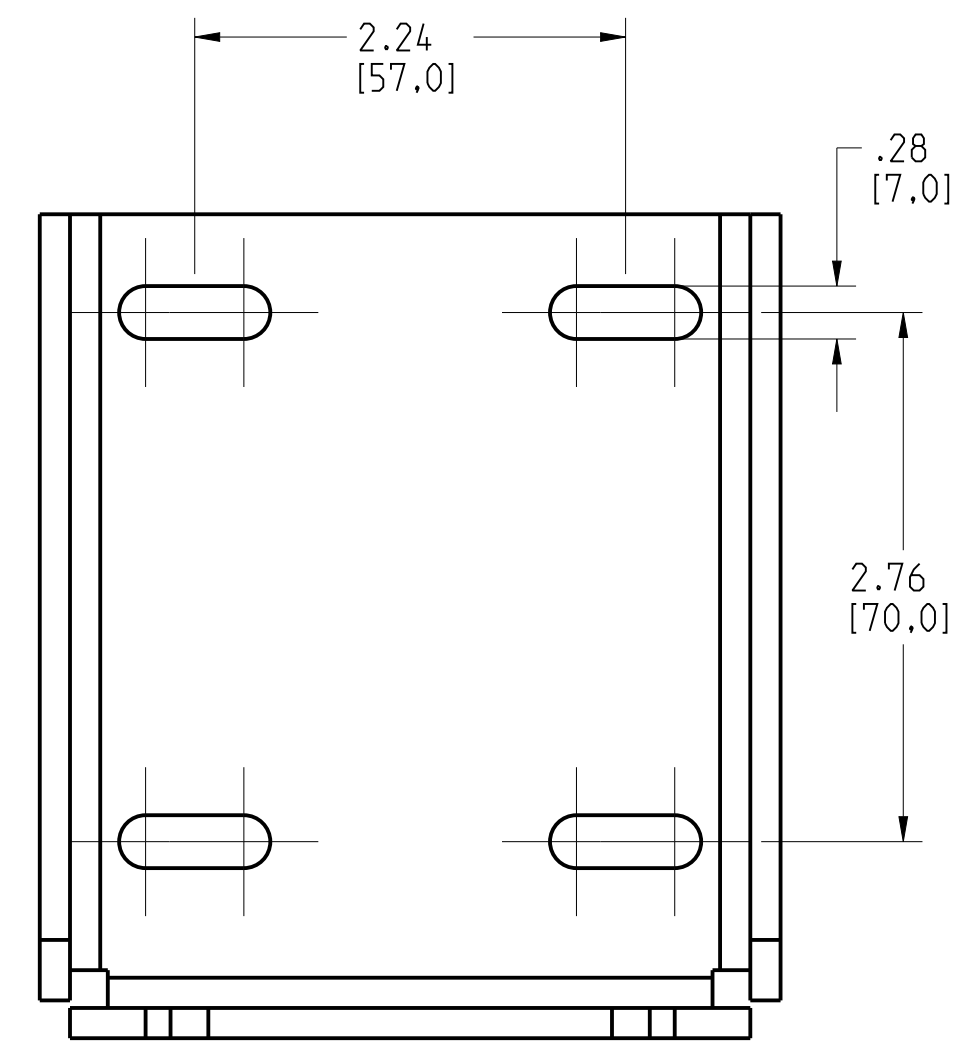
CAD MAINTAINED (PRO/E) SHEET 3 OF 4

ROSEMOUNT 3301/3302 RADAR AND INTERFACE LIQUID LEVELS TRANSMITTER WITH REMOTE AND STANDARD MOUNTING BRACKETS

REMOTE HOUSING
(SHOWN WITH FLANGE PROCESS CONNECTION)
(OPTION B1,B2,B3)



Remote mounting bracket can be used either for the housing (as shown in these pictures) or on the process seal (if threaded adapter is used instead of the flanged design)



©2015 ROSEMOUNT, INC.
ROSEMOUNT INCORPORATES
THIS INFORMATION IN
THIS DRAWING WITH
ROSEMOUNT ENGINEERING
SPECIFICATIONS.
UNIT NOTES IN INCHES (mm).

REFERENCE ROSEMOUNT
PRODUCT SHEETS FOR
PRODUCT SPECIFICATIONS.
CLICK HERE

EMERSON

TITLE
ROSEMOUNT 3301/3302
TYPE I DRAWING

DR. J. ARMSTRONG 2/18/16 DRAWING NO.
APPNL ANDERSTROM 2/17/16 03302-7000

CAD MAINTAINED (PRO/E) SHEET 4 OF 4