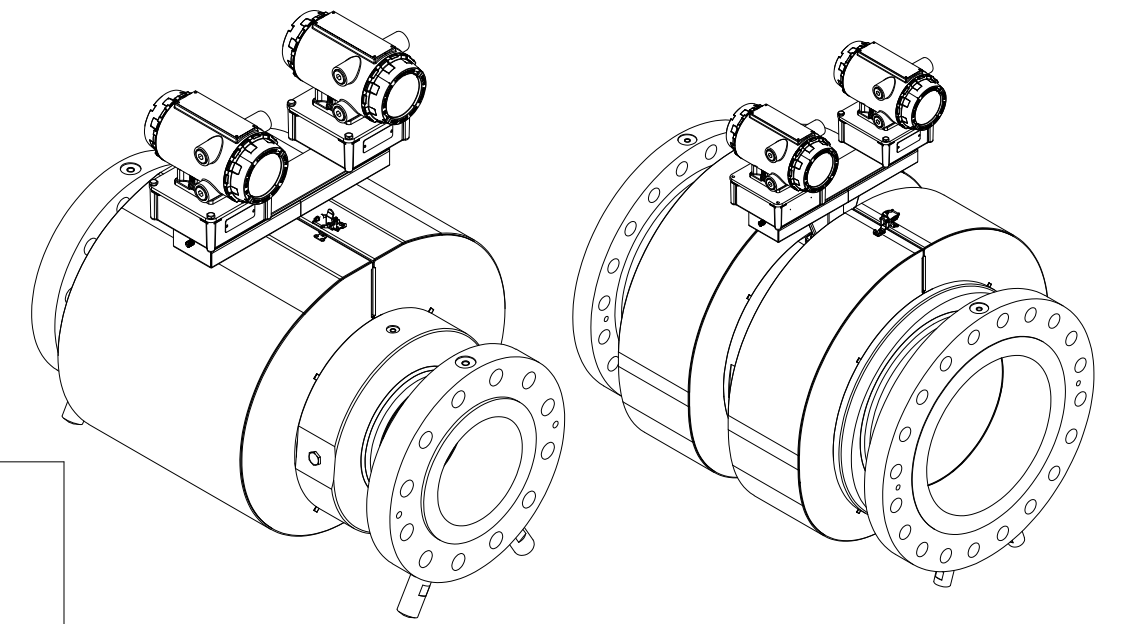


SIZE		OVERALL END TO END	CENTER TO END	DIAMETER OF FLANGE	CENTER OF HOUSING TO TOP OF ELECTRONIC MOUNT BRACKET	SHROUD LENGTH	APPROXIMATE WEIGHT	CENTER OF HOUSING TO	
		A	B	C	D	E	W.T.(LBS)	SHROUD BOTTOM (G)	FLANGE BOTTOM (G)
4"	4+2 & 4+1	48.63	24.31	12.16	12.25	19.50	1300	6.59	-
6"	4+2 & 4+1	56.00	28.00	15.40	13.25	21.60	1850	7.59	-
8"	4+4	43.25	23.94	19.00	13.88	24.98	1550		9.50
8"	4+2 & 4+1	45.50	22.57	19.00	13.88	24.98	1650		9.50
10"	4+4	49.75	27.19	23.00	15.07	25.33	2250		11.50
10"	4+2 & 4+1	55.00	26.32	23.00	15.07	25.33	2600		11.50
12"		55.75	30.19	26.50	16.25	29.33	3350		13.25
16"		59.00	29.50	32.50	18.03	30.18	4950		16.25
20"		62.00	31.00	38.75	20.19	38.37	7250		19.38
24"		71.50	35.75	46.00	22.19	41.21	11350		23.00

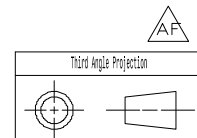
SALES ORDER NO.: _____
 CUSTOMER: _____
 CUSTOMER P.O. NO.: _____
 CERTIFIED CORRECT - MICRO MOTION INC.: _____
 DATE: _____ BY _____

TAG EQUIPMENT NUMBER	SIZE	BORE("F")



SINGLE SHELL SHROUD 4", 6", 8", 10", 12", 30" & 36"
 DOUBLE SHELL SHROUD 16", 20" & 24"

ALL LINEAR DIMENSIONS ARE IN INCHES.



REV	DATE	DNW	DESCRIPTION	CHG	APPD
AF	02/15/23	PH	CA: 1214444	BP	KG
AE	09/27/19	SC	CA: 1126534	BP	RG
AD	08/06/18	PN	CA: 1088481	GS	RG
C	03/02/17	PN	ECO: DMC-2163	GS	RG
B	02/23/16	PN	ECO: DMC-2089	GS	RG
A	02/25/16	GS	RELEASED	GS	RG

EMERSON

OUTLINE & DIMENSIONAL
 ULTRASONIC FLOW METER 3415-3416-3417 W/ 60 DEGREE PORT ANGLE
 8"-36" & W/45 DEGREE PORT ANGLE FOR 4"-6" 1500 PRESSURE CLASS
 R.T.J. FLG J/K MOUNT

DWG. NO. **DMC-010762**
 SHEET 1 OF 1

THIS DOCUMENT IS CONFIDENTIAL, CONTAINS PROPRIETARY INFORMATION, AND SHOULD NOT BE DISTRIBUTED, COPIED OR OTHERWISE REPRODUCED WITHOUT THE EXPRESS WRITTEN CONSENT OF MICRO MOTION, INC.