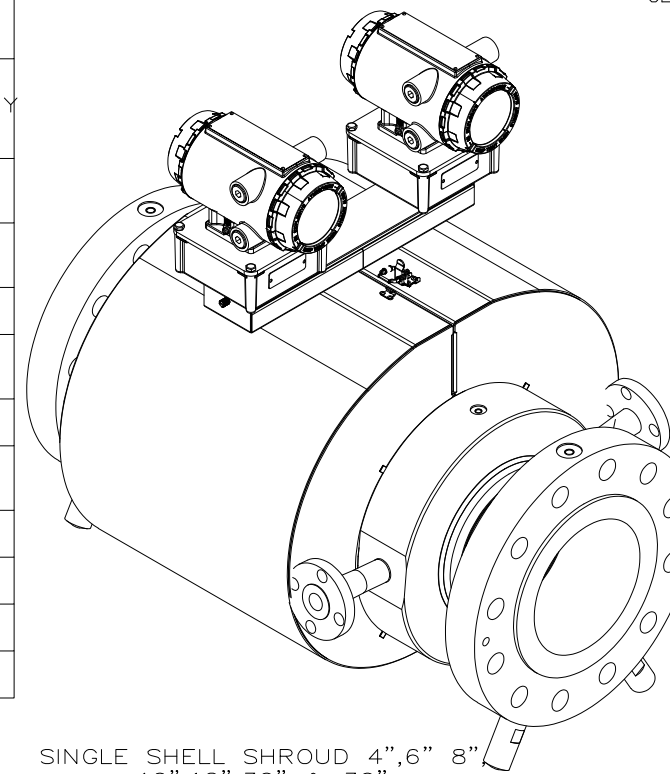
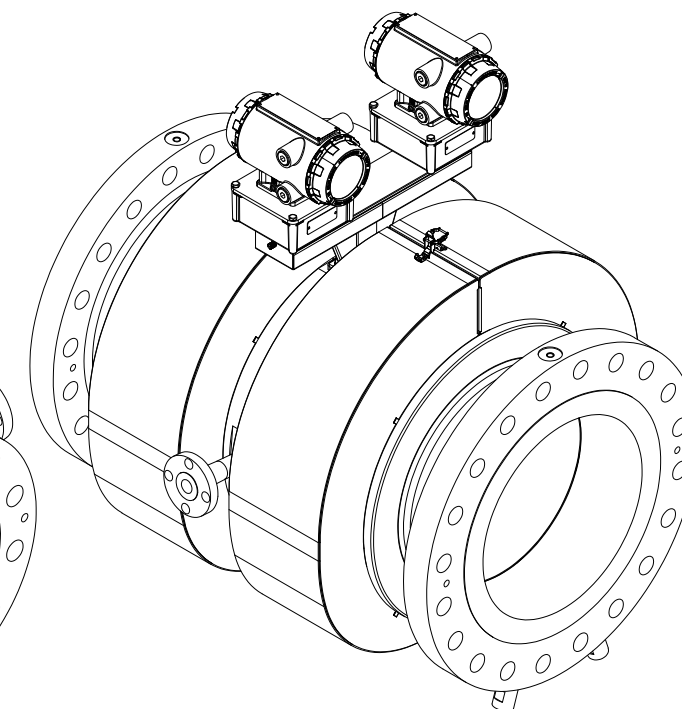


SIZE		OVERALL END TO END	ELECTRONICS CENTER TO BODY END	DIAMETER OF FLANGE	CENTER OF HOUSING TO TOP OF ELECTRONIC MOUNT BRACKET	SHROUD LENGTH	APPROXIMATE WEIGHT	CENTER OF HOUSING TO		CENTER OF HOUSING TO END OF PIPETTE	SHROUD DIMENSION	
		A	B	C	D	E	W.T.(LBS)	SHROUD BOTTOM (G)	FLANGE BOTTOM (G)	H	WIDTH BETWEEN SHROUDS (J)	HEIGHT FROM BODY (K)
4"	4+2 & 4+1	48.63	24.31	12.16	12.25	19.50	1300	6.59	-	10.85	-	-
6"	4+2 & 4+1	56.00	28.00	15.40	13.25	21.60	1850	7.59	-	12.75	-	-
8"	4+4	43.25	23.94	19.00	13.88	24.98	1550	-	9.50	13.32	-	-
8"	4+2 & 4+1	45.50	22.57	19.00	13.88	24.98	1650	-	9.50	13.32	-	-
10"	4+4	49.75	27.19	23.00	15.07	25.33	2250	-	11.50	14.50	-	-
10"	4+2 & 4+1	55.00	26.32	23.00	15.07	25.33	2600	-	11.50	14.50	-	-
12"		55.75	30.19	26.50	16.25	29.33	3350	-	13.25	15.63	-	-
16"		59.00	29.50	32.50	18.03	30.18	4950	-	16.25	17.37	6.15	4.28
20"		62.00	31.00	38.75	20.19	38.37	7250	-	19.38	19.61	6.65	4.53
24"		71.50	35.75	46.00	22.19	41.21	11350	-	23.00	21.60	6.65	4.53



SINGLE SHELL SHROUD 4", 6" 8" 10", 12", 30" & 36"



DOUBLE SHELL SHROUD 16", 20" & 24"

ALL LINEAR DIMENSIONS ARE IN INCHES.

SALES ORDER NO.: _____
 CUSTOMER: _____
 CUSTOMER P.O. NO.: _____
 CERTIFIED CORRECT - MICRO MOTION INC.: _____
 DATE: _____ BY _____

TAG EQUIPMENT NUMBER	SIZE	BORE("F")

REV	DATE	DN	DESCRIPTION	CHG	APPD
AD	02/23/20	PH	CA: 1214444	BP	KG
AC	09/27/19	SC	CA: 1126534	BP	RG
AB	08/06/18	PN	CA: 1088481	GS	RG
A	04/14/17	PN	RELEASED	RG	RG

Third Angle Projection

EMERSON		TITLE	
OUTLINE & DIMENSIONAL - FLANGE PIPETTE		ULTRASONIC FLOW METER 3415-3416-3417 W/ 60 DEGREE PORT ANGLE 8"-36" & W/45 DEGREE PORT ANGLE FOR 4"-6"1500 PRESSURE CLASS R.T.J. FLG J/K MOUNT	
DWG	PN	DATE	DRG. NO.
APPD	GS	DATE	DMC-011945
	RG	DATE	SHEET
		04/14/17	1 OF 1

THIS DOCUMENT IS CONFIDENTIAL, CONTAINS PROPRIETARY INFORMATION, AND SHOULD NOT BE DISTRIBUTED, COPIED OR OTHERWISE REPRODUCED WITHOUT THE EXPRESS WRITTEN CONSENT OF MICRO MOTION, INC.