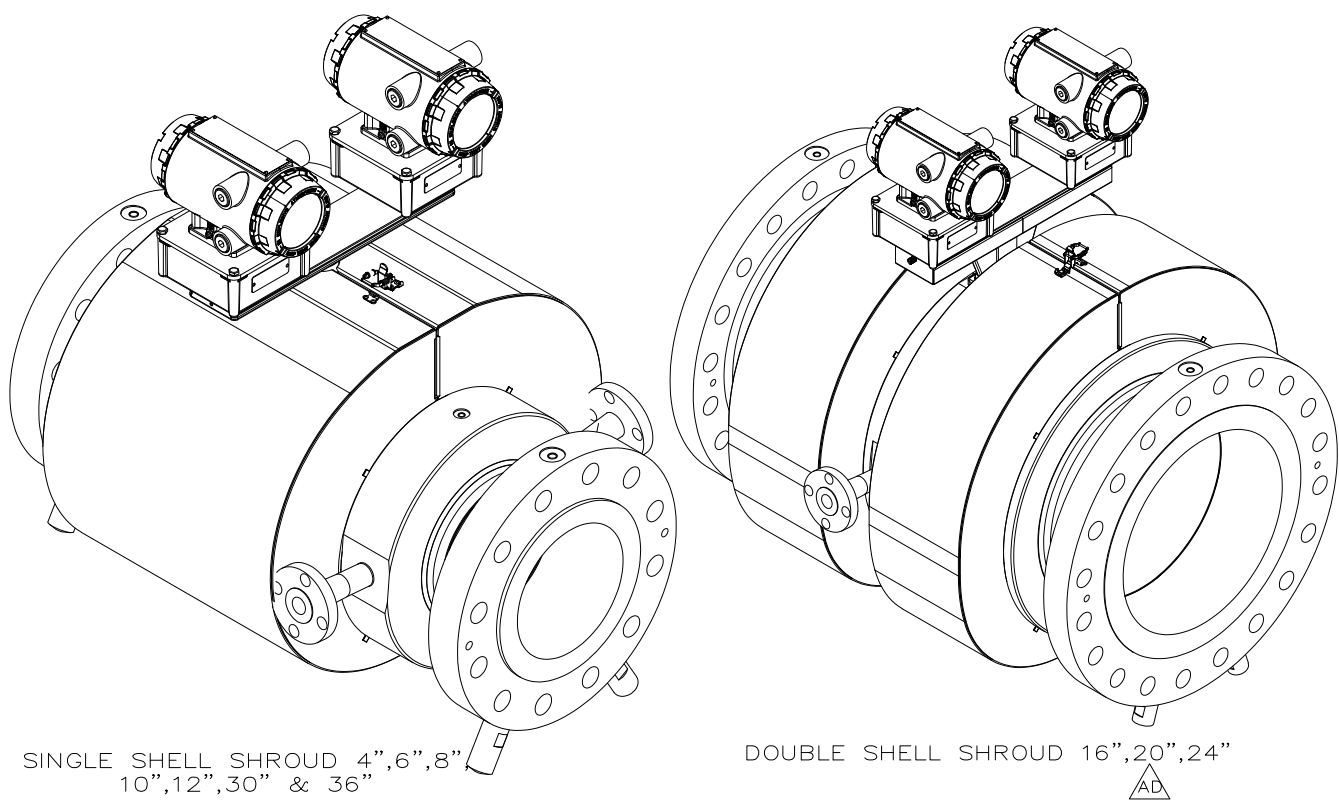


SIZE	OVERALL END TO END	ELECTRONICS CENTER TO BODY END	DIAMETER OF FLANGE	CENTER OF HOUSING TO TOP OF ELECTRONIC MOUNT BRACKET	SHROUD LENGTH	APPROXIMATE WEIGHT	CENTER OF HOUSING TO		CENTER OF HOUSING TO END OF PIPETTE	SHROUD DIMENSION	
							SHROUD BOTTOM (G)	FLANGE BOTTOM (G)		WIDTH BETWEEN SHROUDS (J)	HEIGHT FROM BODY (K)
	A	B	C	D	E	W.T.(LBS)			H		
4"	44.50	22.25	9.94	12.25	19.50	1150	6.59	-	10.85	-	-
6"	49.00	24.50	12.40	13.25	21.60	1600	7.59	-	12.75	-	-
8"	33.25	18.82	15.00	13.88	24.98	1050	7.91	-	13.28	-	-
8"	35.25	17.32	15.00	13.88	24.98	1150	7.91	-	13.28	-	-
10"	33.75	18.40	17.50	14.94	24.98	1250	8.91	-	14.36	-	-
10"	39.75	18.57	17.50	14.88	24.98	1550	8.91	-	14.36	-	-
12"	36.50	19.82	20.50	15.94	26.83	1600	-	10.25	15.34	-	-
16"	37.50	18.75	25.50	17.44	30.18	2050	-	12.75	16.86	5.57	4.60
20"	42.75	21.38	30.50	19.69	34.18	3150	-	15.25	19.07	5.15	4.84
24"	47.50	23.75	36.00	21.94	40.18	4600	-	18.00	21.32	5.16	5.84
30"	44.50	23.82	43.00	25.07	48.33	4950	-	21.50	24.42	-	-
36"	46.50	24.82	50.00	28.19	53.30	6200	-	25.00	27.56	-	-



ALL LINEAR DIMENSIONS ARE IN INCHES.

SALES ORDER NO.: _____
 CUSTOMER: _____
 CUSTOMER P.O. NO.: _____
 CERTIFIED CORRECT - MICRO MOTION INC.: _____
 DATE: _____ BY _____

TAG EQUIPMENT NUMBER	SIZE	BORE("F")
----------------------	------	-----------

TITLE: OUTLINE & DIMENSIONAL - FLANGE PIPETTE ULTRASONIC FLOW METER 3415-3416-3417 W/ 60 DEGREE PORT ANGLE 8"-36" & W/45 DEGREE PORT ANGLE FOR 4"-6" 300 PRESSURE CLASS R.F. FLG, J/K MOUNT			
REV	DATE	APP'D	DESCRIPTION
AD	02/23/23	PH	CA: 1214444 BP KG
AC	09/27/19	SC	CA: 1126534 BP RG
AB	08/06/18	PN	CA: 1088481 GS RG
A	04/14/17	PN	RELEASED RG RG
REV	DATE	DWN	DESCRIPTION

Dwg. No. **DMC-011943**
 Date: 04/14/17
 Sheet: 1 OF 1

THIS DOCUMENT IS CONFIDENTIAL, CONTAINS PROPRIETARY INFORMATION, AND SHOULD NOT BE DISTRIBUTED, COPIED OR OTHERWISE REPRODUCED WITHOUT THE EXPRESS WRITTEN CONSENT OF MICRO MOTION, INC.