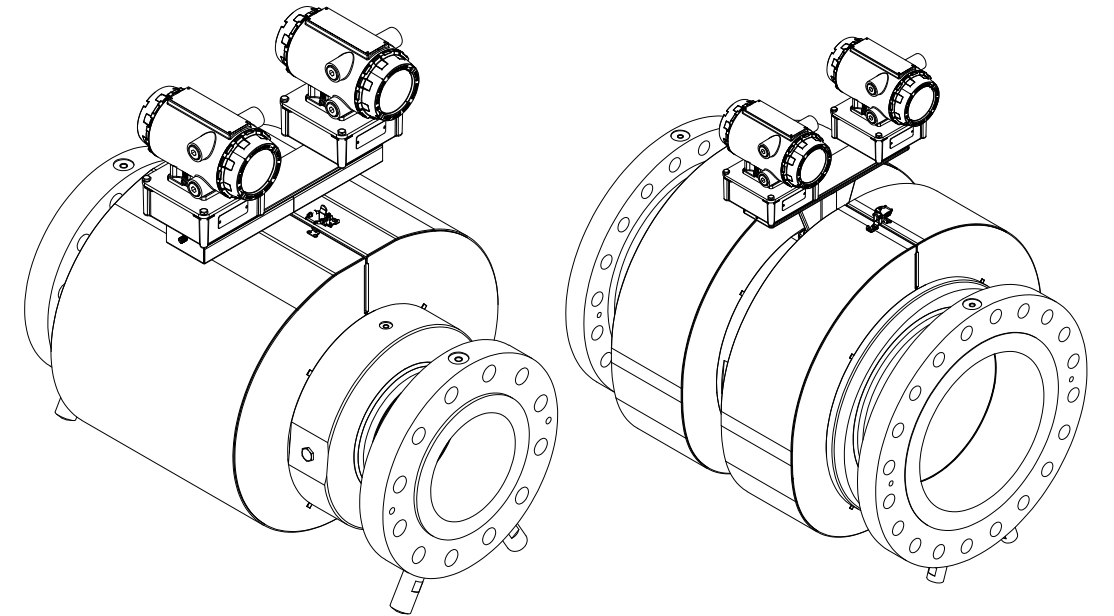


SIZE	OVERALL END TO END	ELECTRONICS CENTER TO BODY END	DIAMETER OF FLANGE	CENTER OF HOUSING TO TOP OF ELECTRONIC MOUNT BRACKET		SHROUD LENGTH	APPROXIMATE WEIGHT W.T.(LBS)	CENTER OF HOUSING TO	
				A	B			C	D
4"	4+2 & 4+1	46.25	23.13	10.69	12.25	19.50	1200	6.59	-
6"	4+2 & 4+1	51.00	25.50	13.90	13.25	21.60	1650	7.59	-
8"	4+4	35.50	19.94	16.50	13.88	24.98	1150	-	8.25
8"	4+2 & 4+1	37.50	18.44	16.50	13.88	24.98	1250	-	8.25
10"	4+4	37.00	20.03	20	14.94	24.98	1400	-	10.00
10"	4+2 & 4+1	43.00	20.19	20	14.88	24.98	1700	-	10.00
12"		39.00	21.07	22	15.94	26.83	1800	-	11.00
16"		40.50	20.25	27	17.44	30.18	2350	-	13.50
20"		45.50	22.75	32	19.69	34.18	3500	-	16.00
24"		50.75	25.38	37	21.94	40.18	5200	-	18.50
30"		48.00	25.57	44.50	25.07	48.50	5650	-	22.25
36"		50.25	26.69	51.75	28.19	53.33	7250	-	25.88

SALES ORDER NO.: \_\_\_\_\_  
 CUSTOMER: \_\_\_\_\_  
 CUSTOMER P.O. NO.: \_\_\_\_\_  
 CERTIFIED CORRECT - MICRO MOTION INC.: \_\_\_\_\_  
 DATE: \_\_\_\_\_ BY \_\_\_\_\_

TAG EQUIPMENT NUMBER	SIZE	BORE("F")



SINGLE SHELL SHROUD 4",6",8",10", 12",30" & 36"

DOUBLE SHELL SHROUD 16",20",24"

REV	DATE	DNW	DESCRIPTION	CHG	APPD	TREATMENT
AG	02/13/23	PH	CA: 1214444	BP	KG	
AF	09/27/19	SC	CA: 1126534	BP	RG	
AE	08/06/18	PN	CA: 1088481	GS	RG	
D	12/13/16	PN	ECO: DMC-2080	GS	RG	
C	11/16/16	PN	ECO: DMC-2052	GS	RG	
B	04/07/16	SS	ECO: DMC-1767	GS	RG	
A	09/24/15	SS	RELEASED	RG	RG	

<b>EMERSON</b>			
OUTLINE & DIMENSIONAL			
ULTRASONIC FLOW METER 3415-3416-3417 W/ 60 DEGREE PORT ANGLE			
8"-36" & W/45 DEGREE PORT ANGLE FOR 4"-6" 600 PRESSURE CLASS			
R.F. FLG J/K MOUNT			
DWG	SS	DATE	DWG. NO.
CHG	GS	DATE	DMC-010180
APPD	RG	DATE	SHEET
		09/24/15	1 OF 1

ALL LINEAR DIMENSIONS ARE IN INCHES.

THIS DOCUMENT IS CONFIDENTIAL, CONTAINS PROPRIETARY INFORMATION, AND SHOULD NOT BE DISTRIBUTED, COPIED OR OTHERWISE REPRODUCED WITHOUT THE EXPRESS WRITTEN CONSENT OF MICRO MOTION, INC.