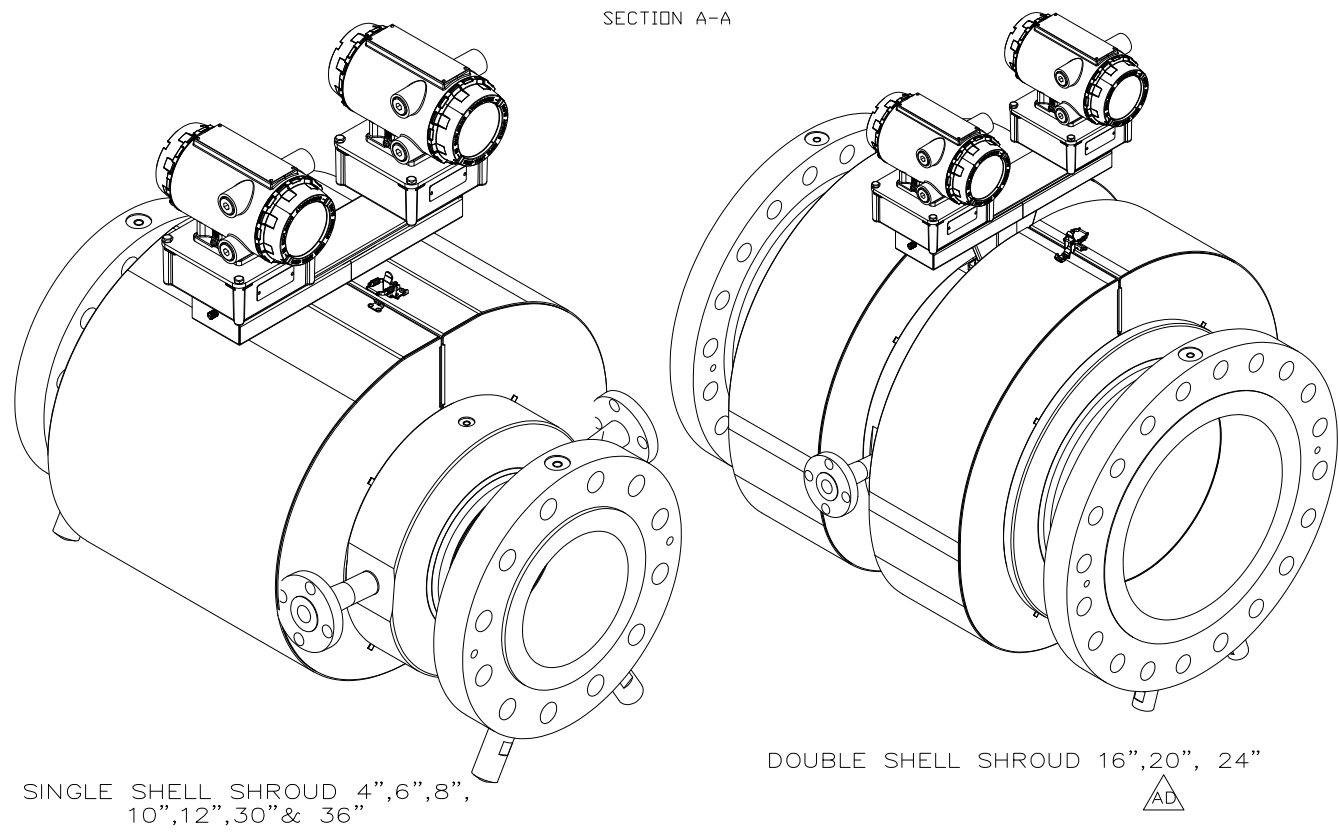


ENCLOSURE MAY BE ROTATED 360° AT 90° INCREMENTS

PIPETTE TYP.

SIZE	OVERALL END TO END	ELECTRONICS CENTER TO BODY END	DIAMETER OF FLANGE	CENTER OF HOUSING TO TOP OF ELECTRONIC MOUNT BRACKET	SHROUD LENGTH	APPROXIMATE WEIGHT	CENTER OF HOUSING TO		CENTER OF HOUSING TO END OF PIPETTE	SHROUD DIMENSION		
							SHROUD BOTTOM (G)	FLANGE BOTTOM (G)		WIDTH BETWEEN SHROUDS (J)	HEIGHT FROM BODY (K)	
	A	B	C	D	E	W.T.(LBS)			H			
4"	4+2 & 4+1	46.25	23.13	10.69	12.25	19.50	1200	6.59	-	10.85	-	-
6"	4+2 & 4+1	51.00	25.50	13.90	13.25	21.60	1650	7.59	-	12.75	-	-
8"	4+4	35.50	19.94	16.50	13.88	24.98	1150	-	8.25	13.28	-	-
8"	4+2 & 4+1	37.50	18.44	16.50	13.88	24.98	1250	-	8.25	13.28	-	-
10"	4+4	37.00	20.03	20	14.94	24.98	1400	-	10.00	14.36	-	-
10"	4+2 & 4+1	43.00	20.19	20	14.88	24.98	1700	-	10.00	14.36	-	-
12"		39.00	21.07	22	15.94	26.83	1800	-	11.00	15.34	-	-
16"		40.50	20.25	27	17.44	30.18	2350	-	13.50	16.86	5.57	4.60
20"		45.50	22.75	32	19.69	34.18	3500	-	16.00	19.07	5.15	4.84
24"		50.75	25.38	37	21.94	40.18	5200	-	18.50	21.32	5.16	5.84
30"		48.00	25.57	44.50	25.07	48.50	5650	-	22.25	24.42	-	-
36"		50.25	26.69	51.75	28.19	53.33	7250	-	25.88	27.56	-	-



ALL LINEAR DIMENSIONS ARE IN INCHES.

SALES ORDER NO.: _____
 CUSTOMER: _____
 CUSTOMER P.O. NO.: _____
 CERTIFIED CORRECT - MICRO MOTION INC.: _____
 DATE: _____ BY _____

TAG EQUIPMENT NUMBER	SIZE	BORE("F")
----------------------	------	-----------

AD 02/23/23 PH CA: 1214444 BP KG		AC 09/27/19 SC CA: 1126534 BP RG		AB 08/06/18 PN CA: 1088481 GS RG		A 04/14/17 PN RELEASED RG RG	
REV	DATE	OWN	DESCRIPTION	CHG	APPD	TREATMENT	

Third Angle Projection

TITLE: OUTLINE & DIMENSIONAL - FLANGE PIPETTE ULTRASONIC FLOWMETER 3415-3416-3417 W/ 60 DEGREE PORT ANGLE 8"-36" & W/45 DEGREE PORT ANGLE FOR 4"-6" 600 PRESSURE CLASS R.F. FLG J/K MOUNT			
DWN PN DATE 04/14/17 CHG GS DATE 04/14/17 APPD RG DATE 04/14/17	Dwg. No. DMC-011942 SHEET 1 OF 1		

THIS DOCUMENT IS CONFIDENTIAL, CONTAINS PROPRIETARY INFORMATION, AND SHOULD NOT BE DISTRIBUTED, COPIED OR OTHERWISE REPRODUCED WITHOUT THE EXPRESS WRITTEN CONSENT OF MICRO MOTION, INC.