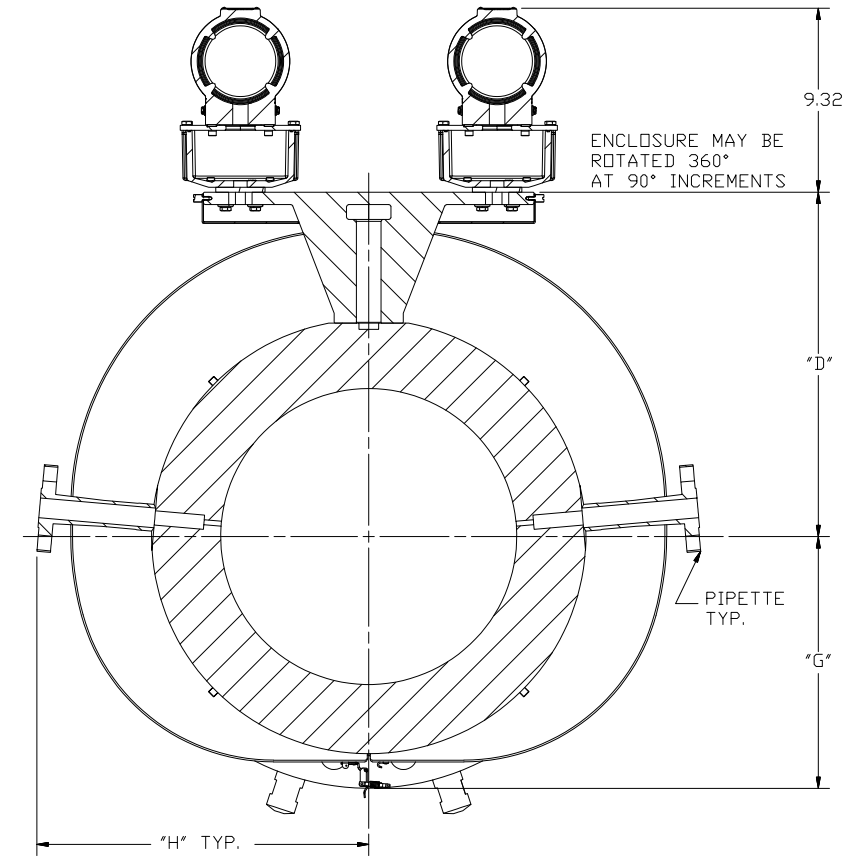
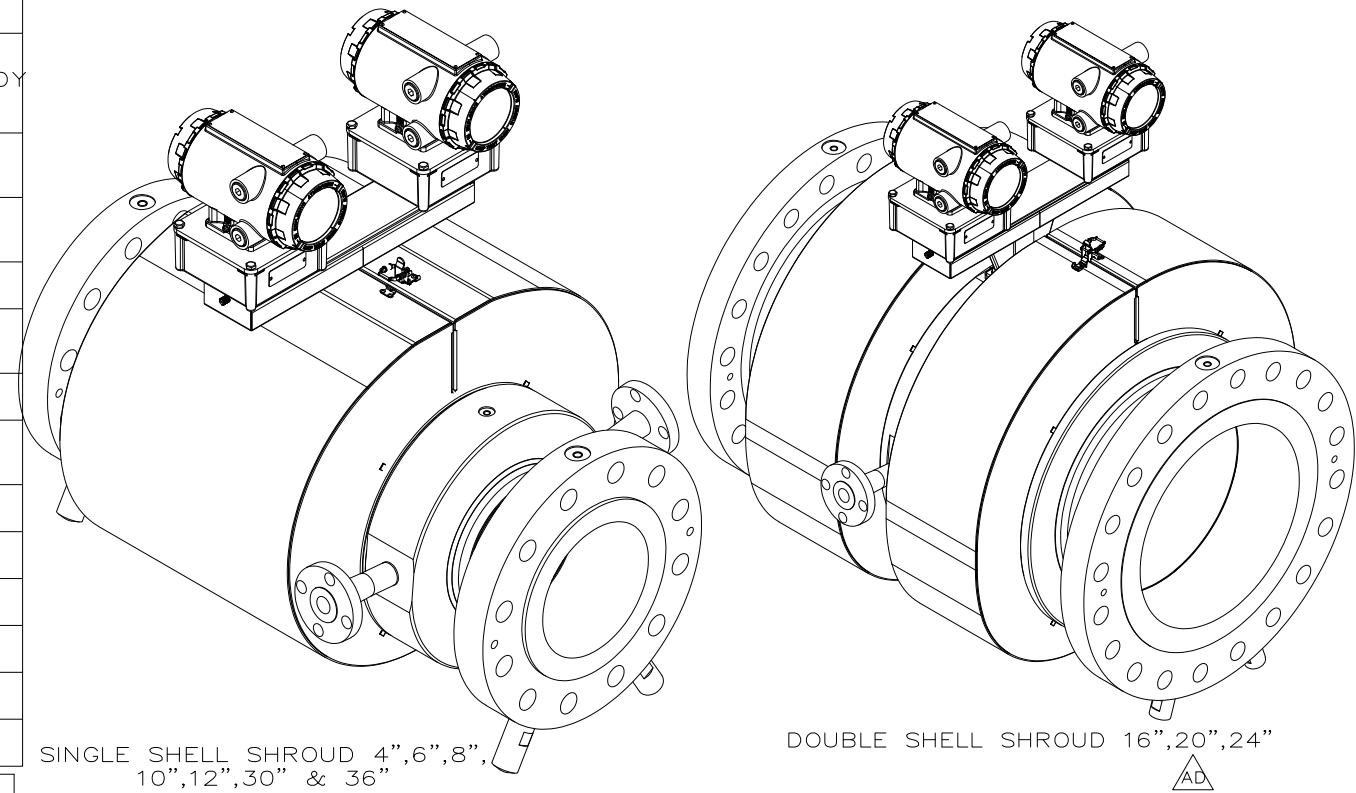


SECTION B-B



SECTION A-A

SIZE		OVERALL END TO END	ELECTRONICS CENTER TO BODY END	DIAMETER OF FLANGE	CENTER OF HOUSING TO TOP OF ELECTRONIC MOUNT BRACKET	SHROUD LENGTH	APPROXIMATE WEIGHT	CENTER OF HOUSING TO		CENTER OF HOUSING TO END OF PIPETTE	SHROUD DIMENSION	
		A	B	C	D	E	W. T. (LBS)	SHROUD BOTTOM (G)	FLANGE BOTTOM (G)	H	WIDTH BETWEEN SHROUDS (J)	HEIGHT FROM BODY (K)
4"	4+2 & 4+1	47.88	23.94	11.40	12.25	19.50	1250	6.59	-	10.85	-	-
6"	4+2 & 4+1	53.38	26.69	14.90	13.25	21.60	1750	7.59	-	12.75	-	-
8"	4+4	39.00	21.82	18.50	13.88	24.98	1350	-	9.25	13.32	-	-
8"	4+2 & 4+1	41.25	20.44	18.50	13.88	24.98	1450	-	9.25	13.32	-	-
10"	4+4	44.00	24.31	21.50	15.07	25.33	1800	-	10.75	14.50	-	-
10"	4+2 & 4+1	49.25	23.44	21.50	15.07	25.33	2150	-	10.75	14.50	-	-
12"		48.75	26.69	24.00	16.25	29.33	2500	-	12.00	15.63	-	-
16"		51.00	25.50	27.75	18.03	30.18	3500	-	13.88	17.37	6.15	4.28
20"		53.12	26.56	33.75	20.19	38.37	5050	-	16.88	19.61	6.65	4.53
24"		62.13	31.06	41.00	22.19	41.20	8050	-	20.50	21.60	6.65	4.53
30"		61.50	33.32	48.50	26.63	50.15	10200	-	24.25	26.03	-	-
36"		67.00	35.57	57.50	30.60	60.33	15150	-	28.75	29.85	-	-



ALL LINEAR DIMENSIONS ARE IN INCHES.

SALES ORDER NO.: \_\_\_\_\_  
 CUSTOMER: \_\_\_\_\_  
 CUSTOMER P.O. NO.: \_\_\_\_\_  
 CERTIFIED CORRECT - MICRO MOTION INC.: \_\_\_\_\_  
 DATE: \_\_\_\_\_ BY \_\_\_\_\_

REV	DATE	CHG	DESCRIPTION	CHG	APPD

TAG EQUIPMENT NUMBER      SIZE      BORE("F")

				<b>EMERSON</b> TITLE: OUTLINE & DIMENSIONAL - FLANGE PIPETTE ULTRASONIC FLOW METER 3415-3416-3417 W/ 60 DEGREE PORT ANGLE 8"-36" & W/45 DEGREE PORT ANGLE FOR 4"-6" 900 PRESSURE CLASS R.T.J. FLG J/K MOUNT			
DWN PN DATE 04/14/17	GS DATE 04/14/17	DWN PN DATE 04/14/17	RG DATE 04/14/17	DWN PN DATE 04/14/17	RG DATE 04/14/17		
DMC-011944			1 OF 1				

THIS DOCUMENT IS CONFIDENTIAL, CONTAINS PROPRIETARY INFORMATION, AND SHOULD NOT BE DISTRIBUTED, COPIED OR OTHERWISE REPRODUCED WITHOUT THE EXPRESS WRITTEN CONSENT OF MICRO MOTION, INC.