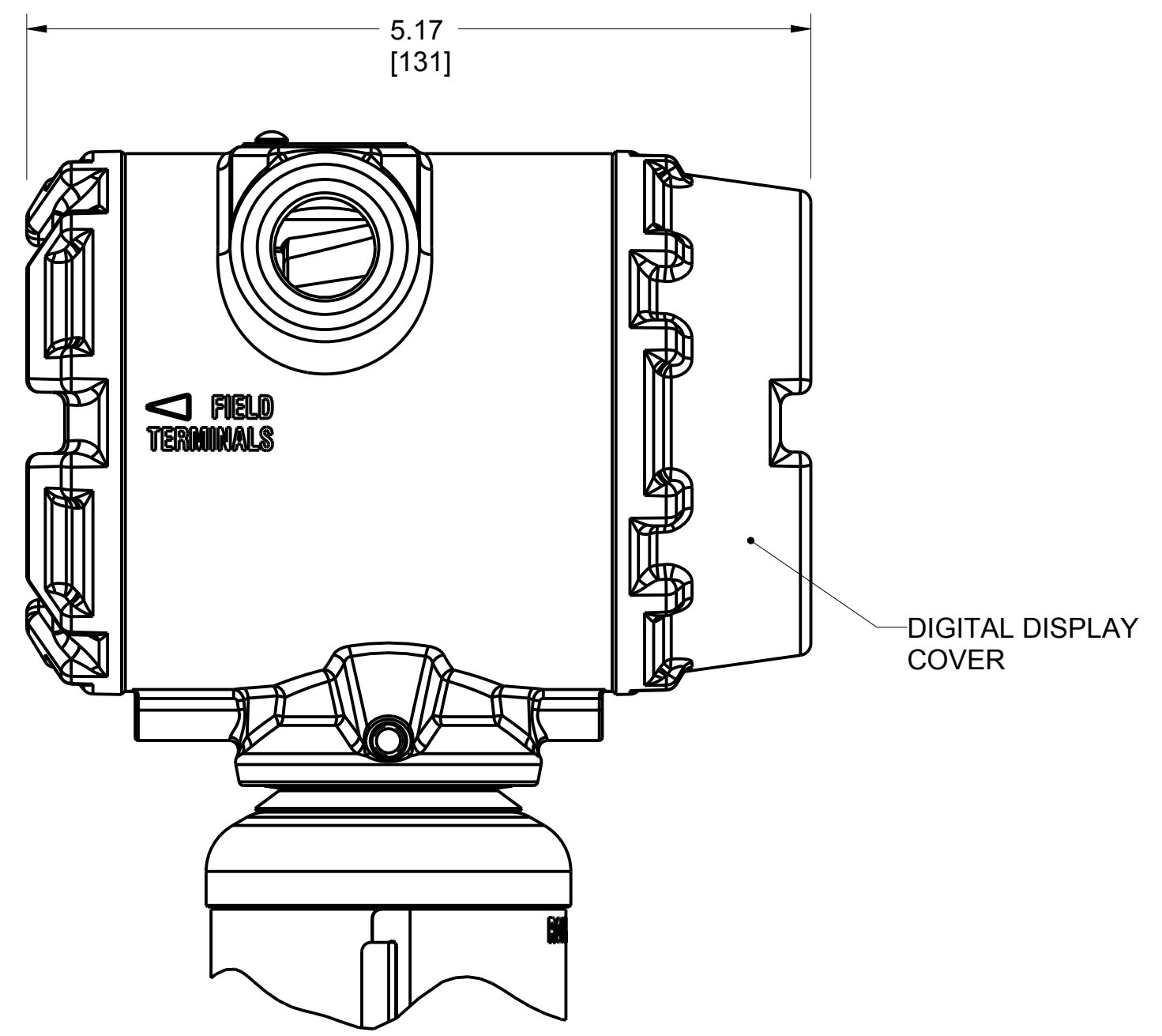


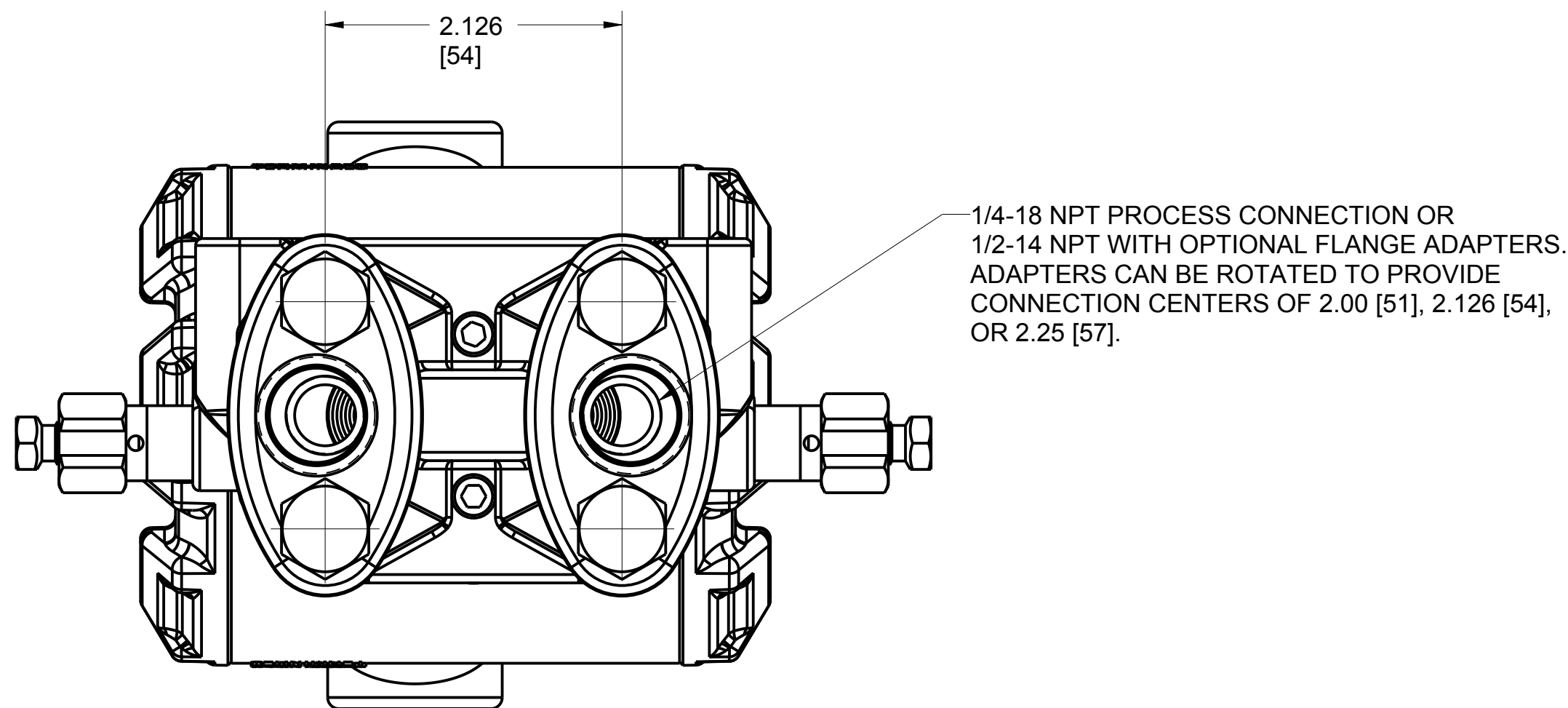
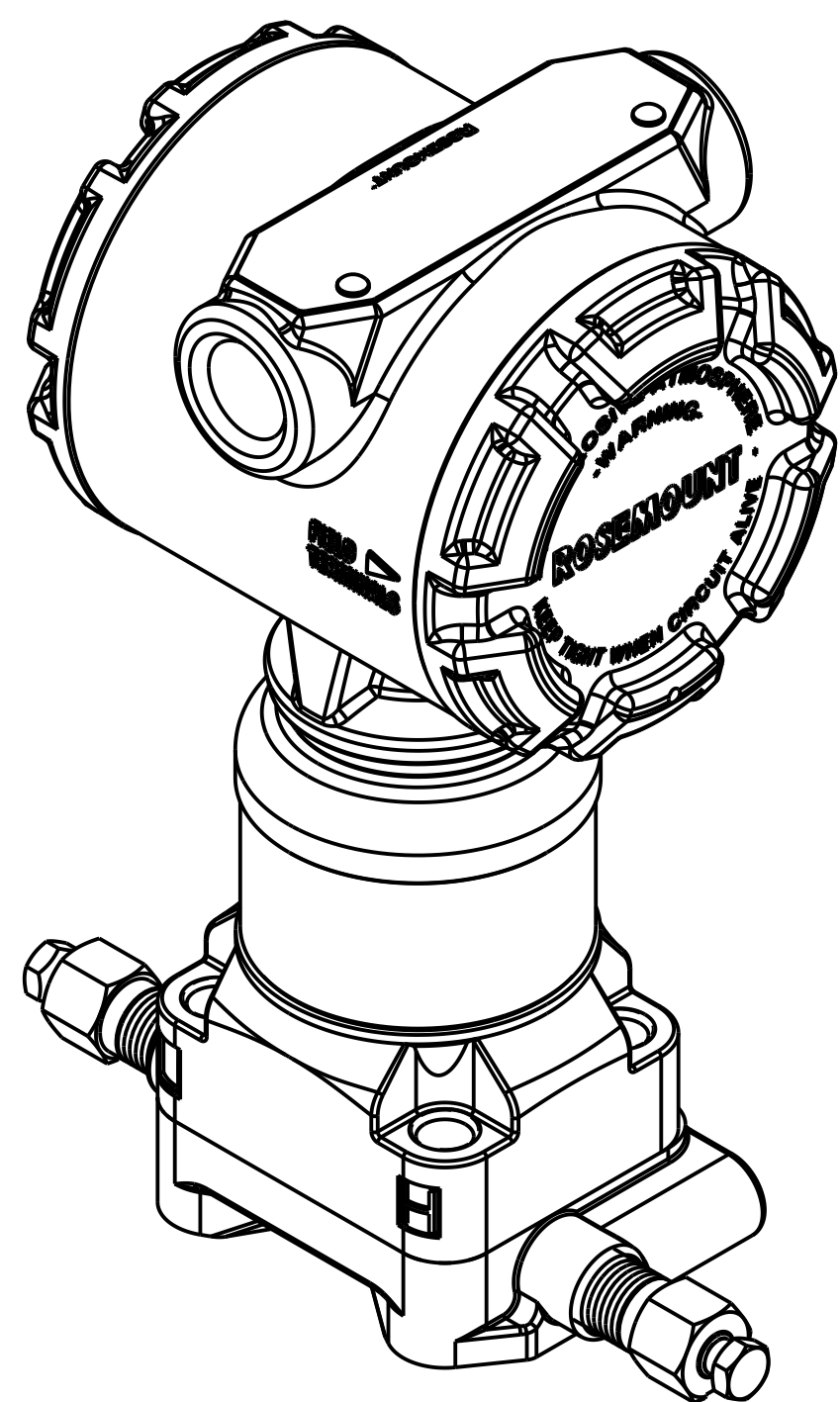
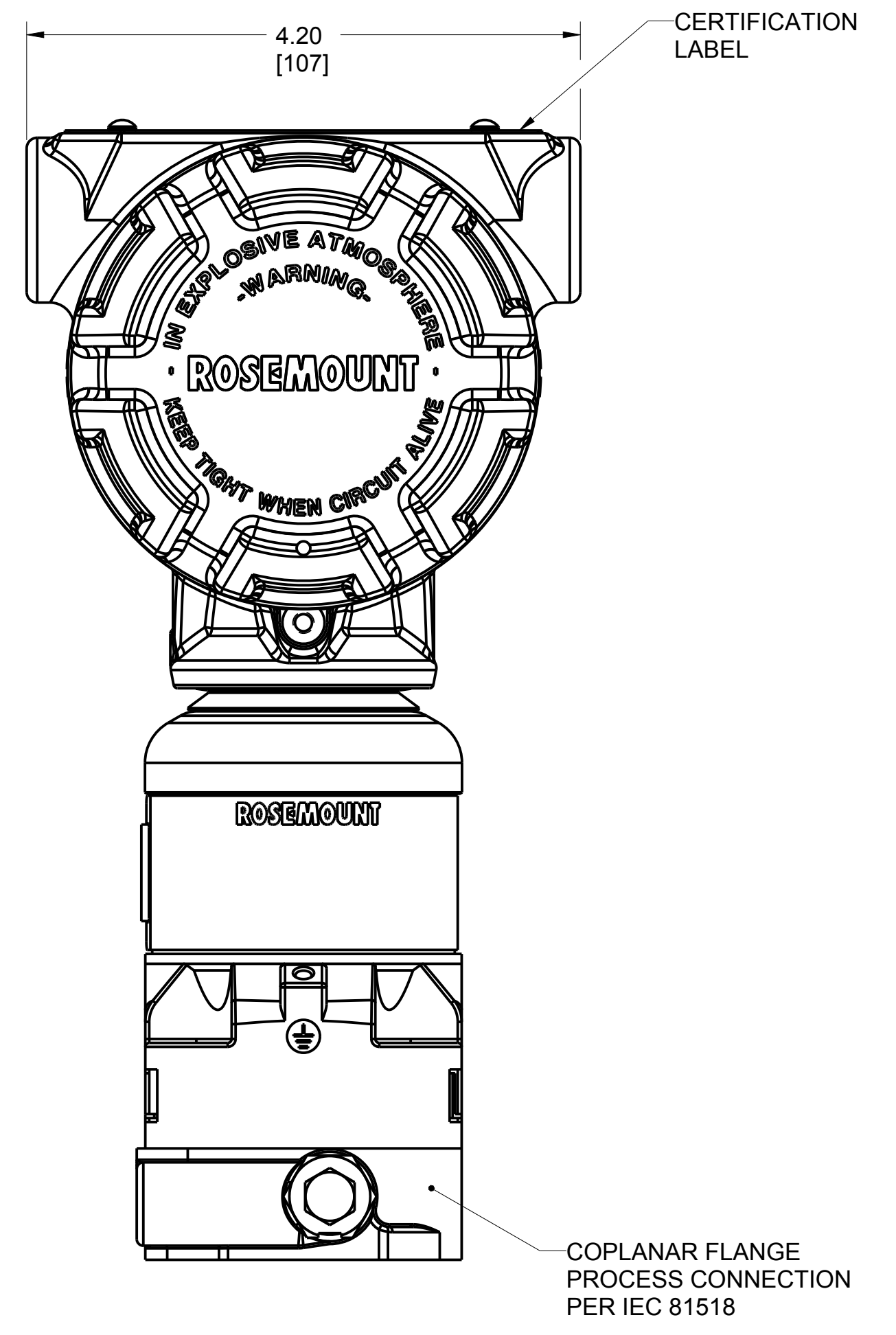
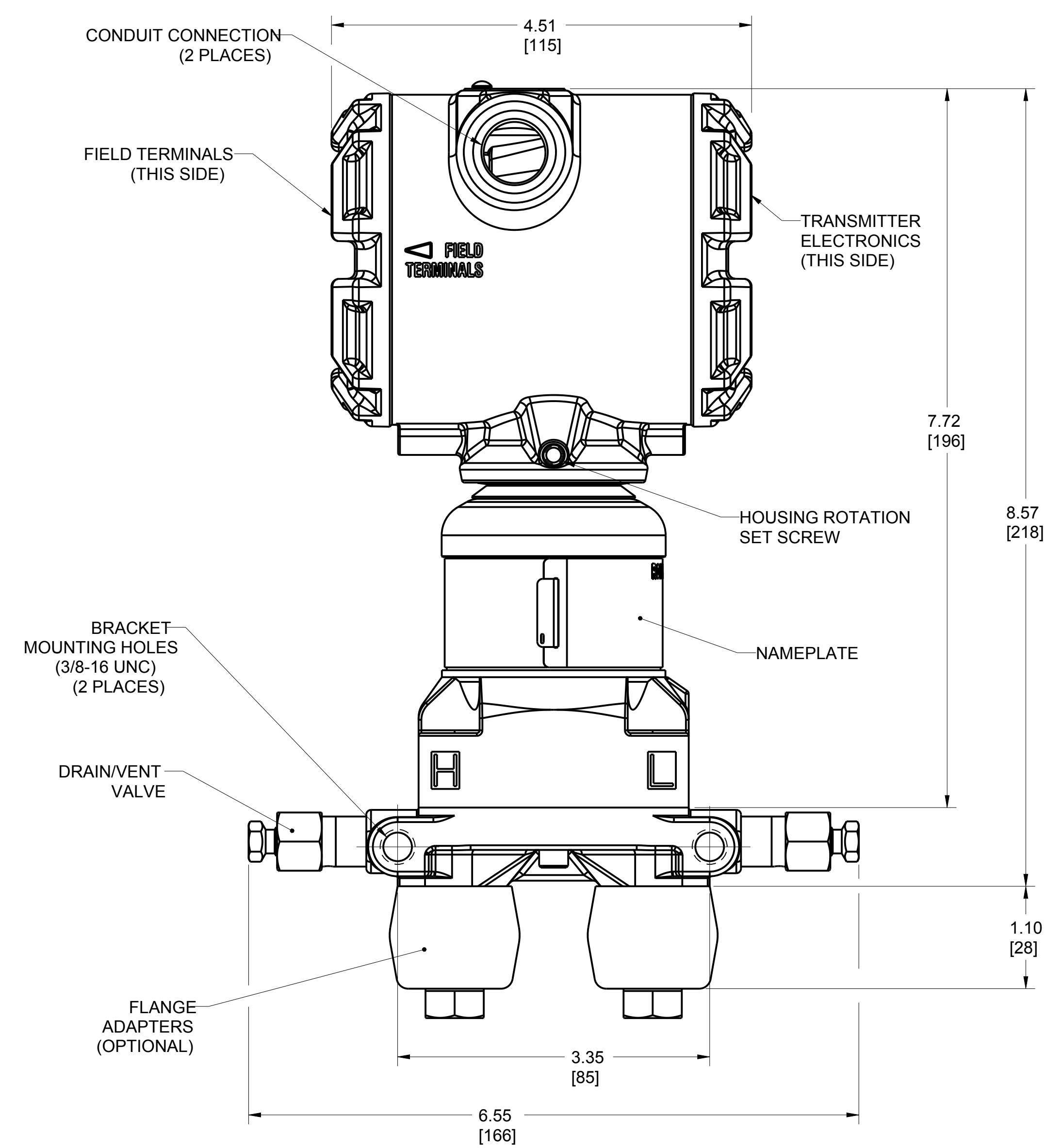
ROSEMOUNT 4088 MULTIVARIABLE TRANSMITTER COPLANAR FLANGE PROCESS CONNECTION

REVISION TABLE			
REVISION	ECO NO.	APP'D	DATE
AC	RTC1068827	T. MCCULLOCH	8/15/17
DESCRIPTION			
ADD EXTENDED COVER.			

PLANTWEB HOUSING
SHOWN WITH OPTIONAL DIGITAL DISPLAY



PLANTWEB HOUSING



©2015 ROSEMOUNT INC.
ROSEMOUNT INC. CERTIFIES
THIS DRAWING TO BE IN
ACCORDANCE WITH
ROSEMOUNT ENGINEERING
SPECIFICATIONS.
UNIT NOTES IN INCHES (mm).
REFERENCE ROSEMOUNT
PRODUCT SPECIFICATIONS.
CLICK HERE

3RD ANGLE

EMERSON

TITLE
ROSEMOUNT 4088 MULTI.
TYPE I DRAWING

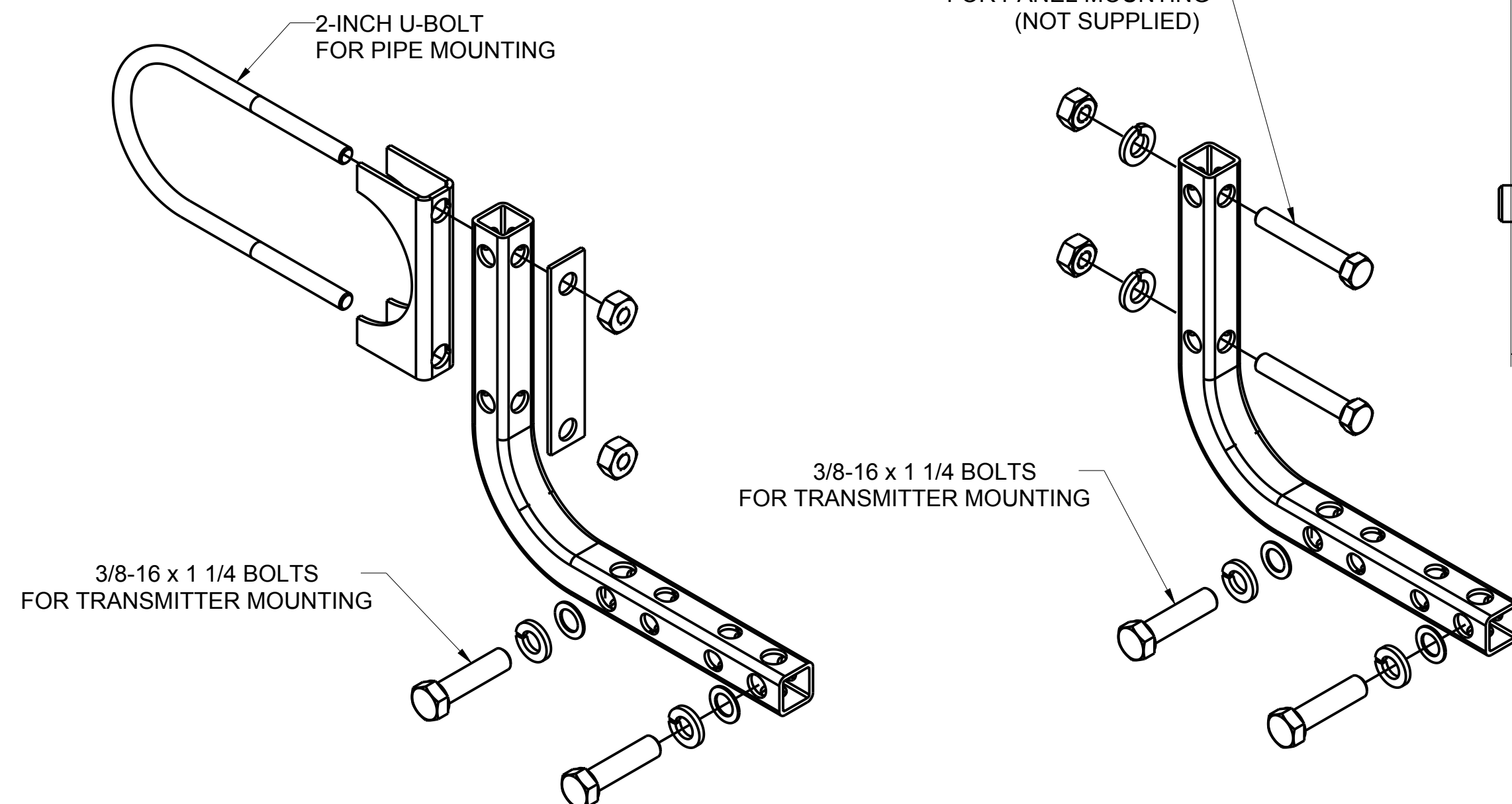
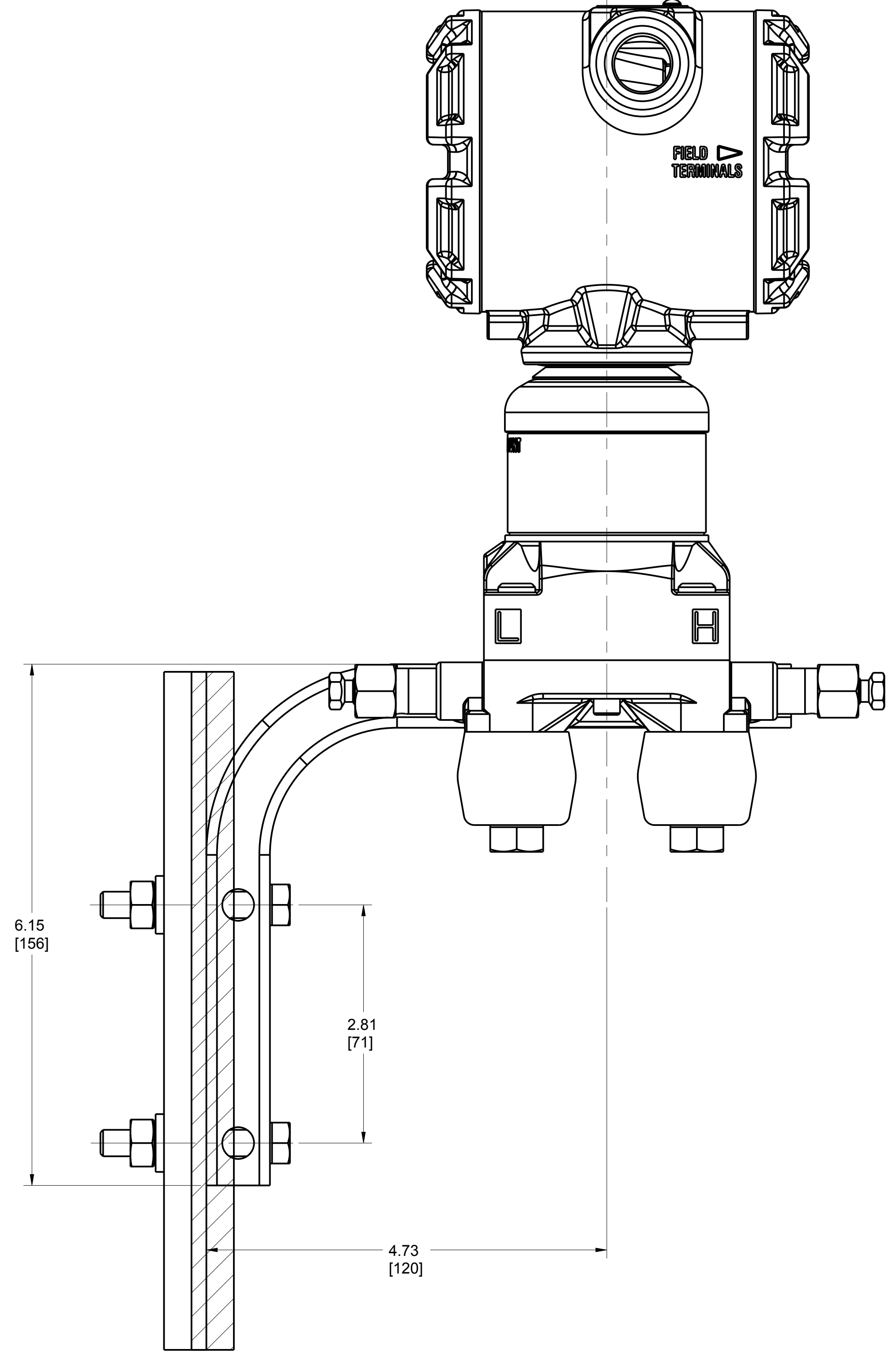
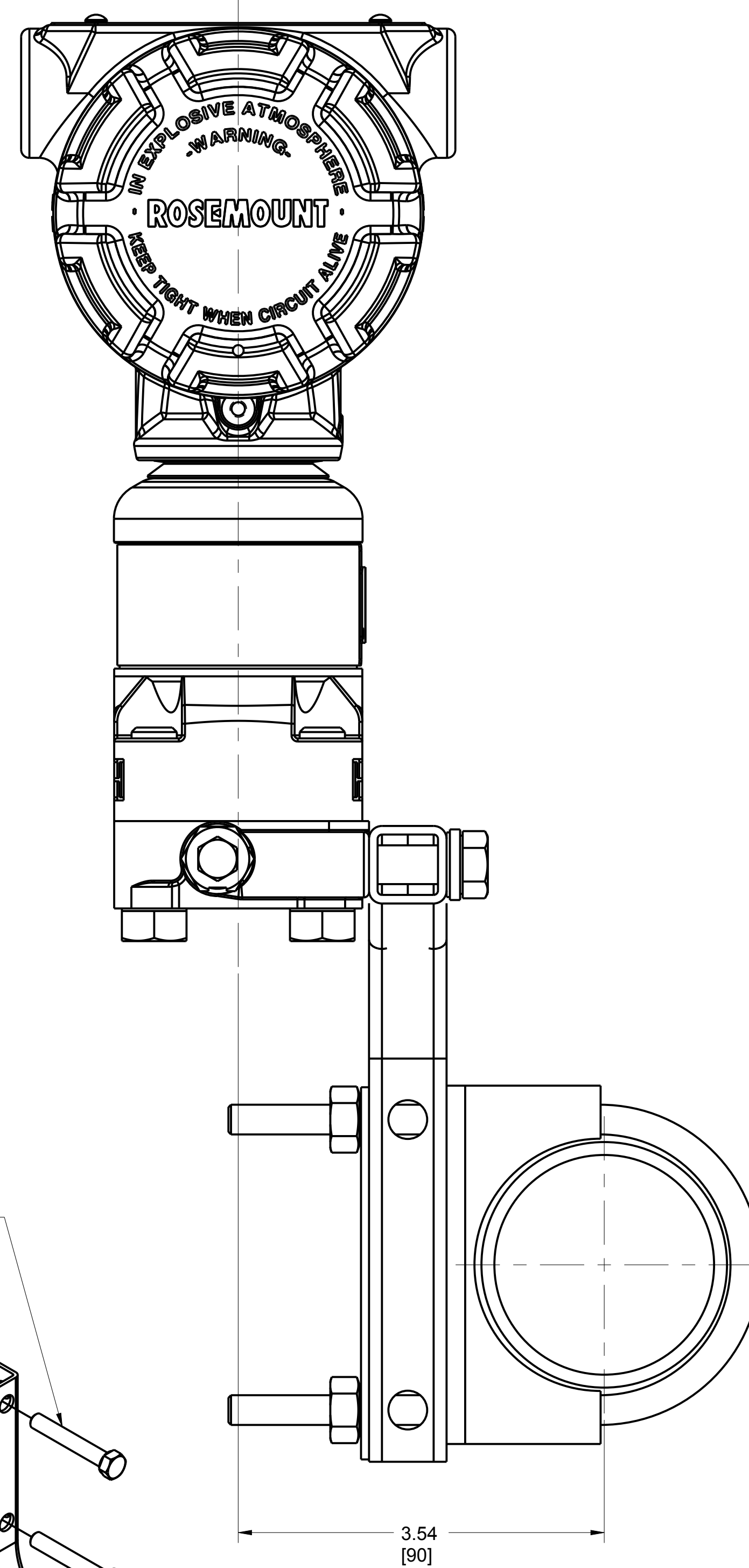
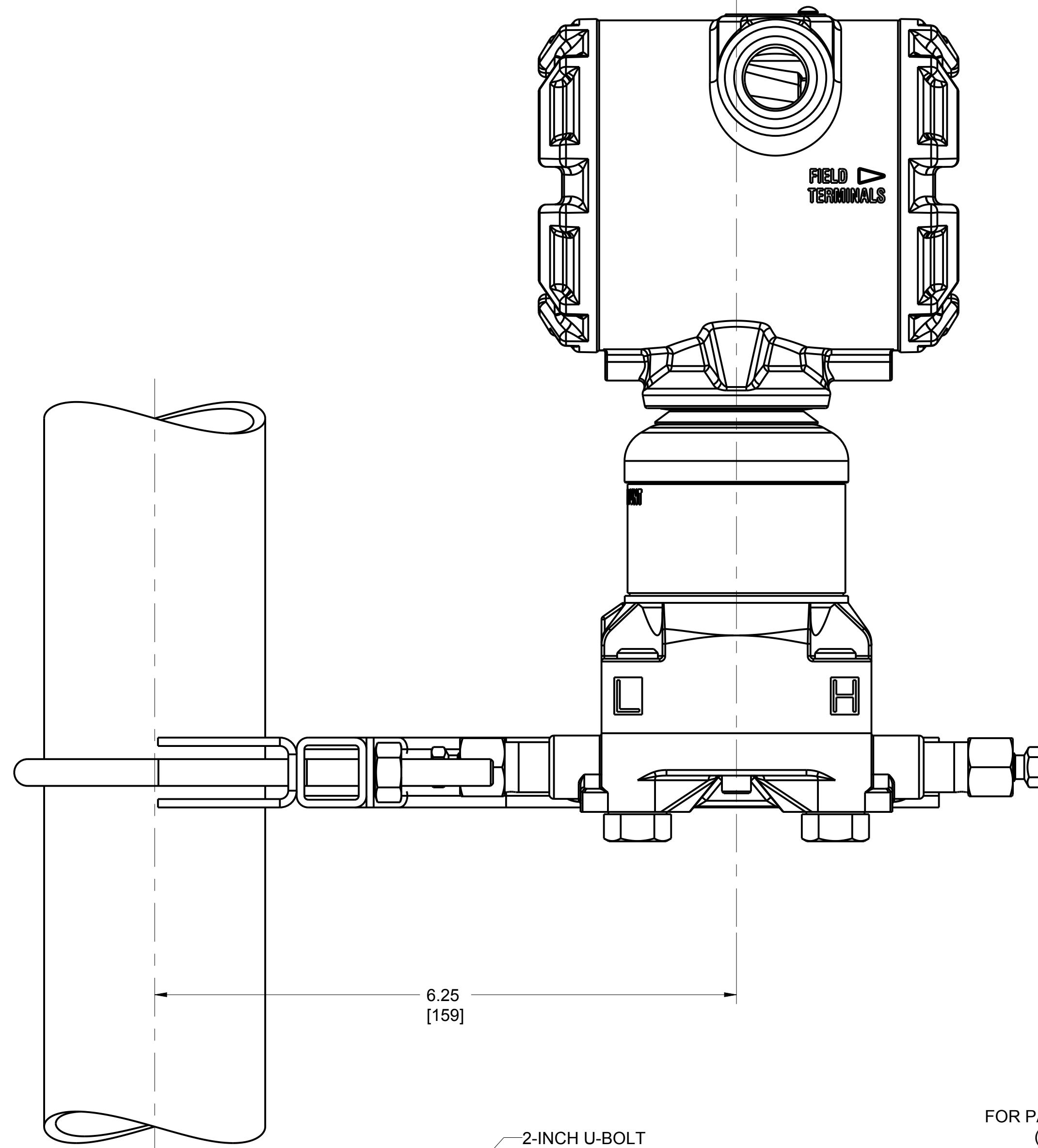
DR. J. ARMSTRONG 8/15/17 DRAWING NO.
APP'D. MCCULLOCH 8/15/17 04088-6000

CAD MAINTAINED, (PROE) SHEET 1 OF 6

ROSEMOUNT 4088 MULTIVARIABLE TRANSMITTER
COPLANAR FLANGE PROCESS CONNECTION

PIPE MOUNTING

PANEL MOUNTING



©2015 ROSEMOUNT INC.
ROSEMOUNT INC. CERTIFIES
THIS DRAWING IS MADE IN
ACCORDANCE WITH
ROSEMOUNT ENGINEERING
SPECIFICATIONS.
UNIT NOTES IN INCHES (mm).

EMERSON

TITLE
ROSEMOUNT 4088 MULTI.
TYPE I DRAWING

DR. J. ARMSTRONG 8/15/17 DRAWING NO. 04088-6000
APP'D. MCCOLLUCH 8/15/17

CAD MAINTAINED, (PROE) SHEET 2 OF 6

3RD ANGLE

SIZE D

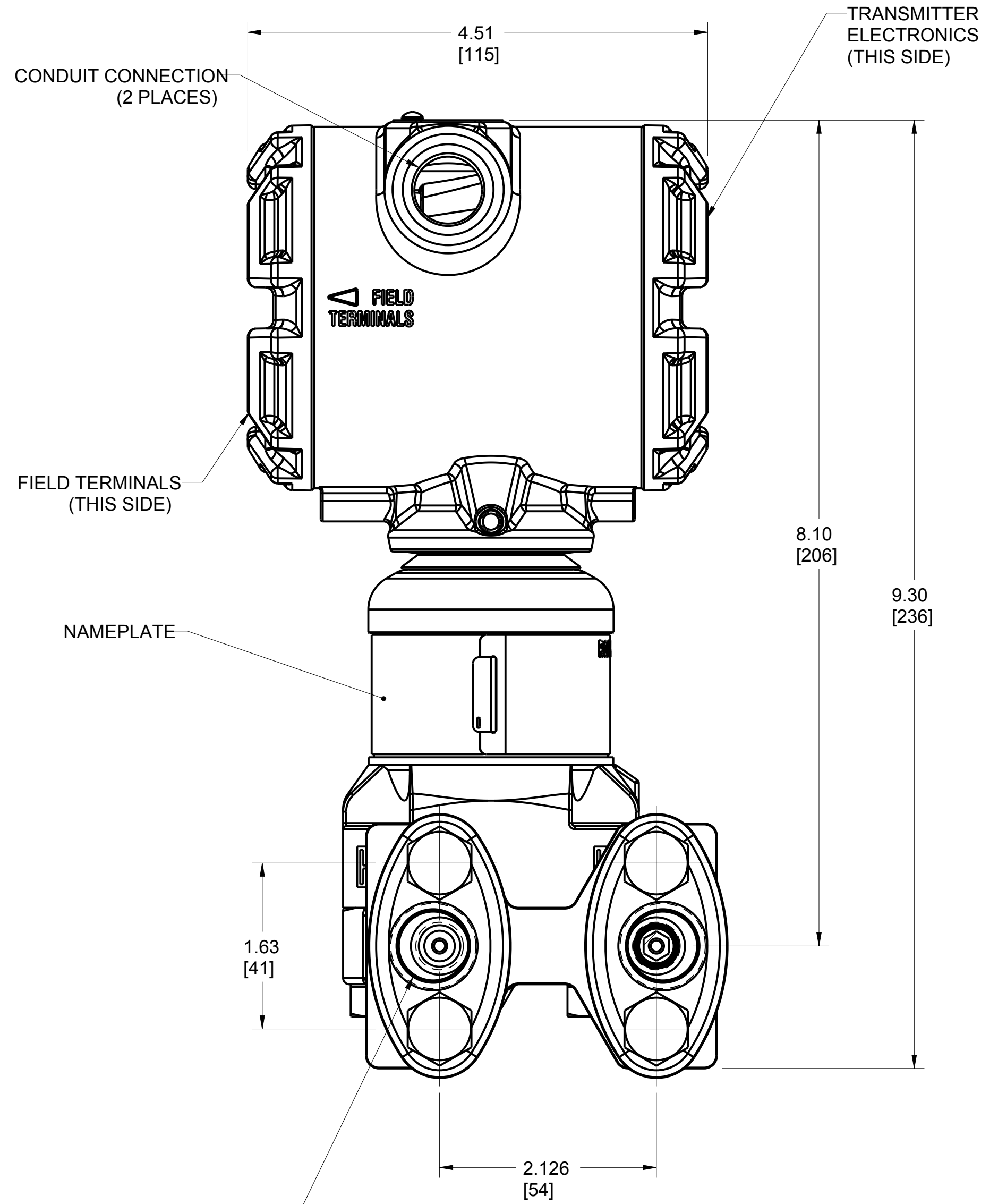
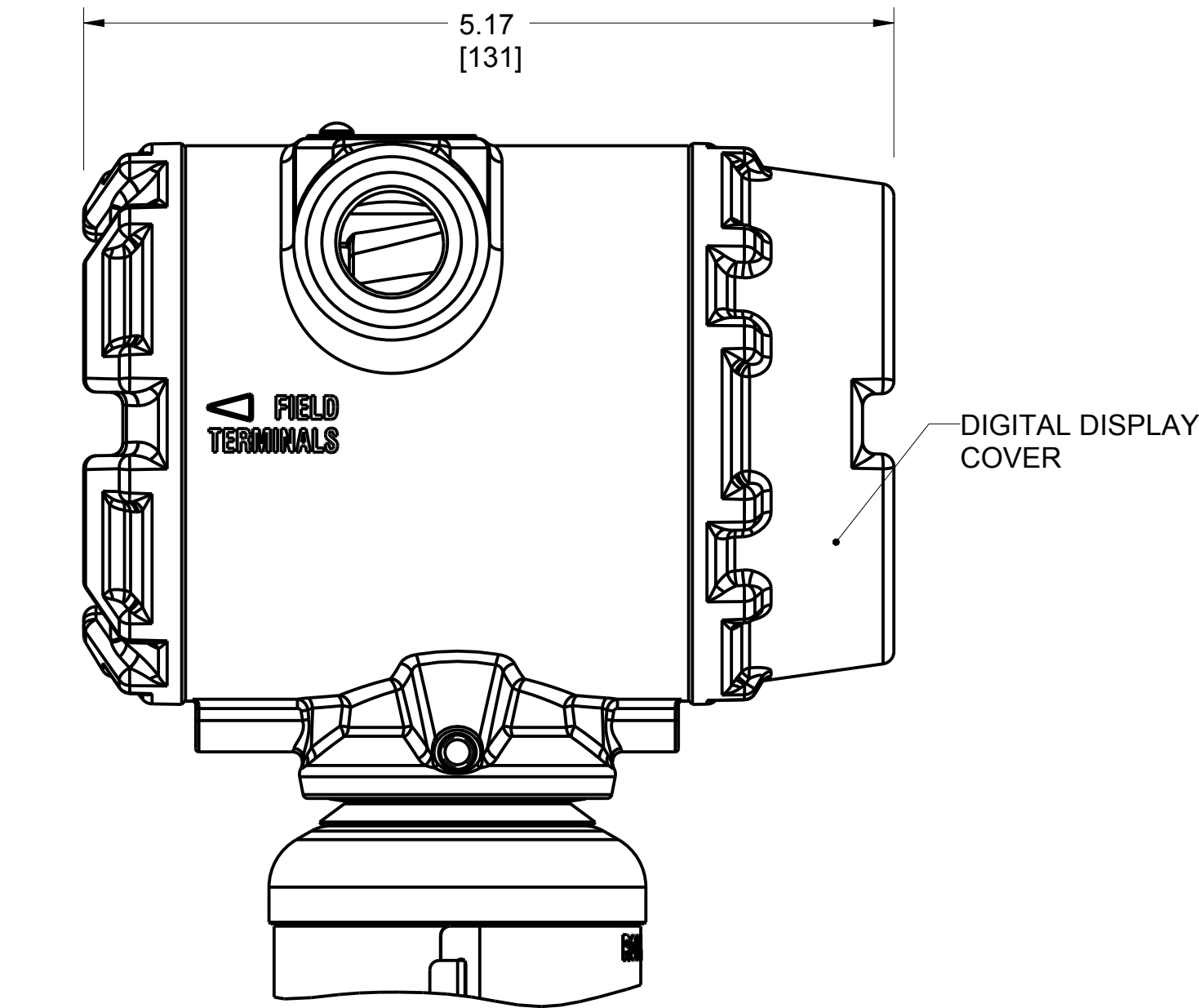
SCALE NTS

CLICK HERE

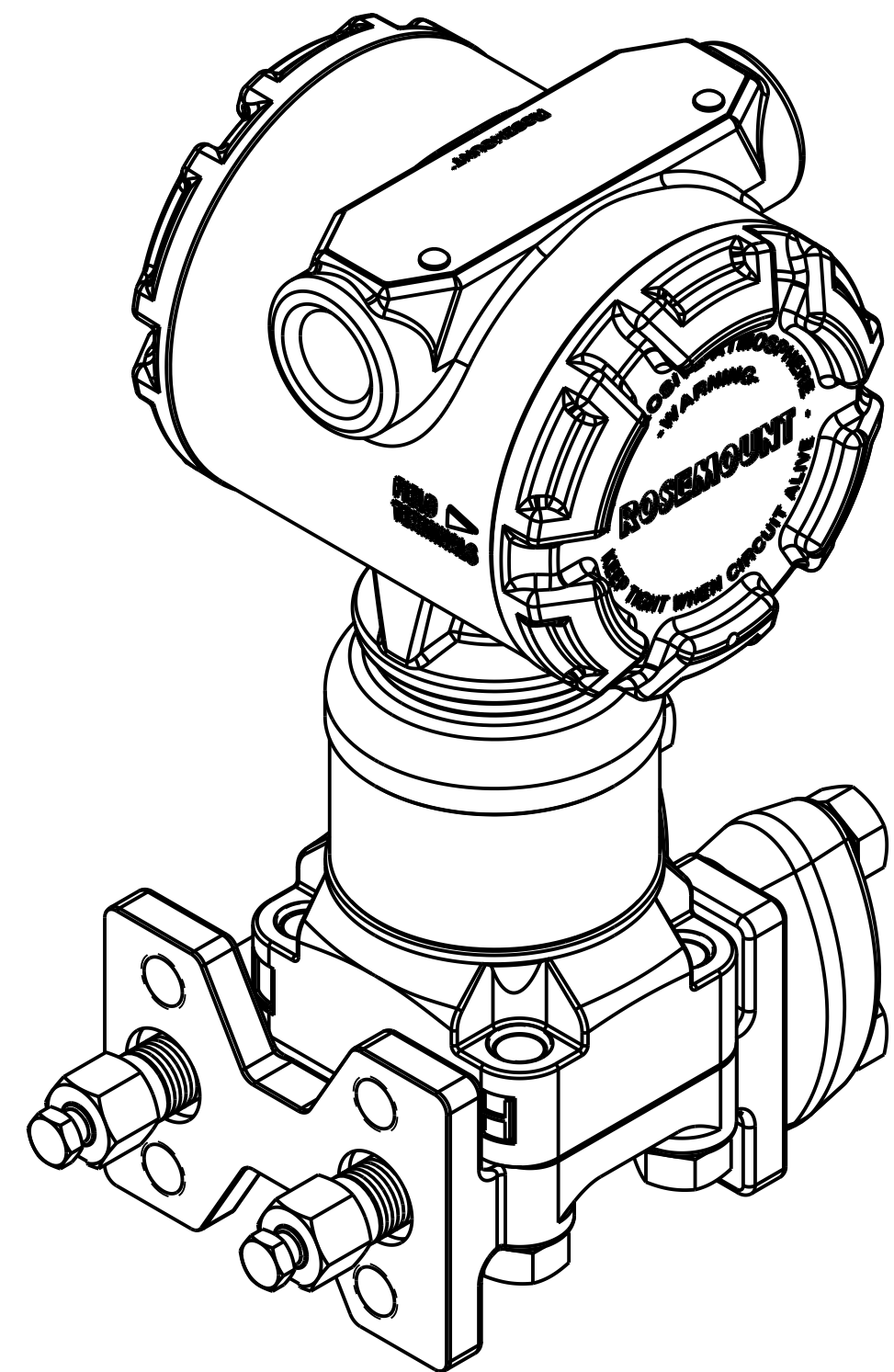
REFERENCE ROSEMOUNT
PRODUCT SPECIFICATIONS.

ROSEMOUNT 4088 MULTIVARIABLE TRANSMITTER TRADITIONAL FLANGE PROCESS CONNECTION

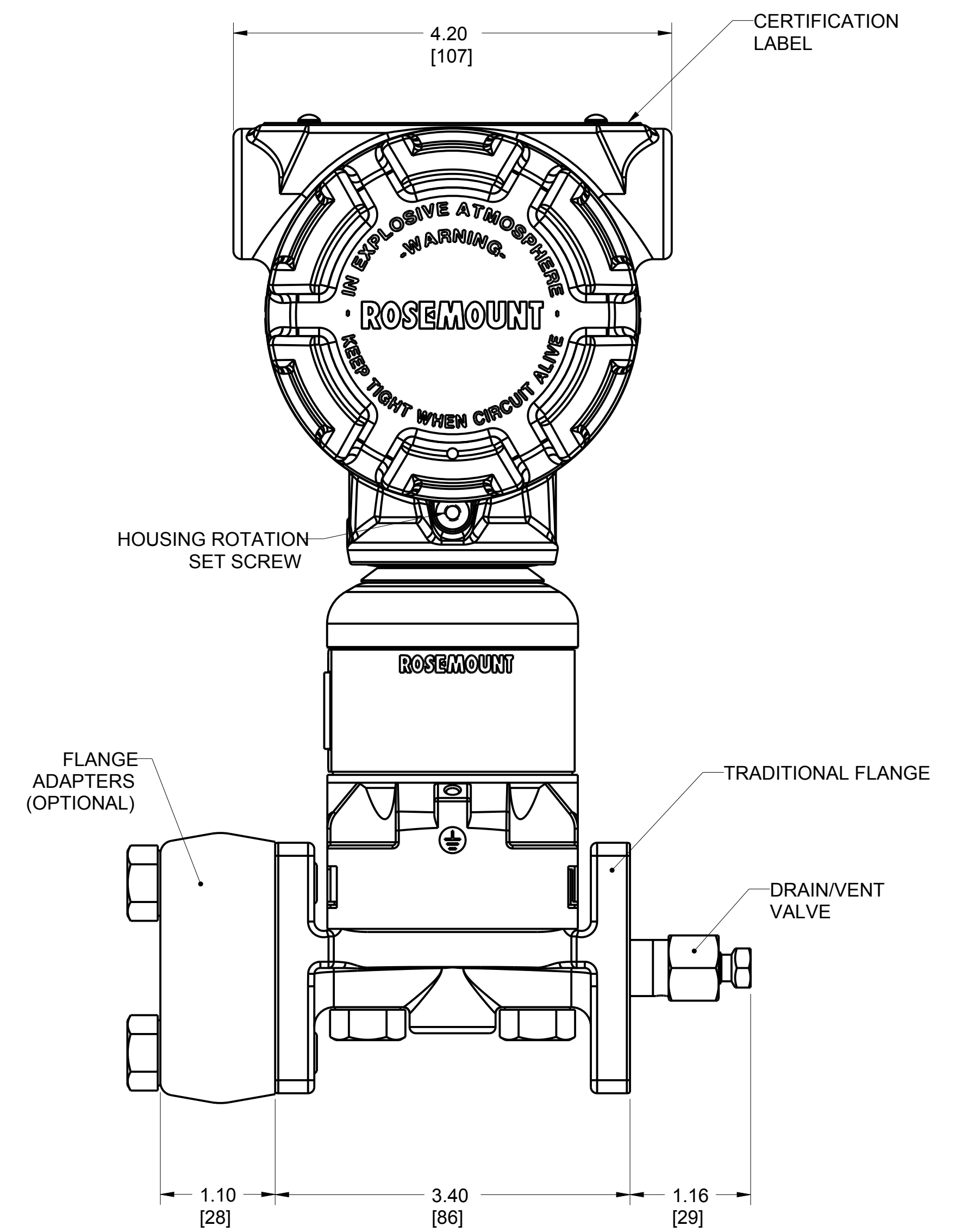
PLANTWEB HOUSING
SHOWN WITH OPTIONAL DIGITAL DISPLAY



1/4-18 NPT PROCESS CONNECTION OR
1/2-14 NPT WITH OPTIONAL FLANGE
ADAPTERS. ADAPTERS CAN BE ROTATED
TO PROVIDE CONNECTION CENTERS OF
2.00 [51], 2.126 [54], OR 2.25 [57].



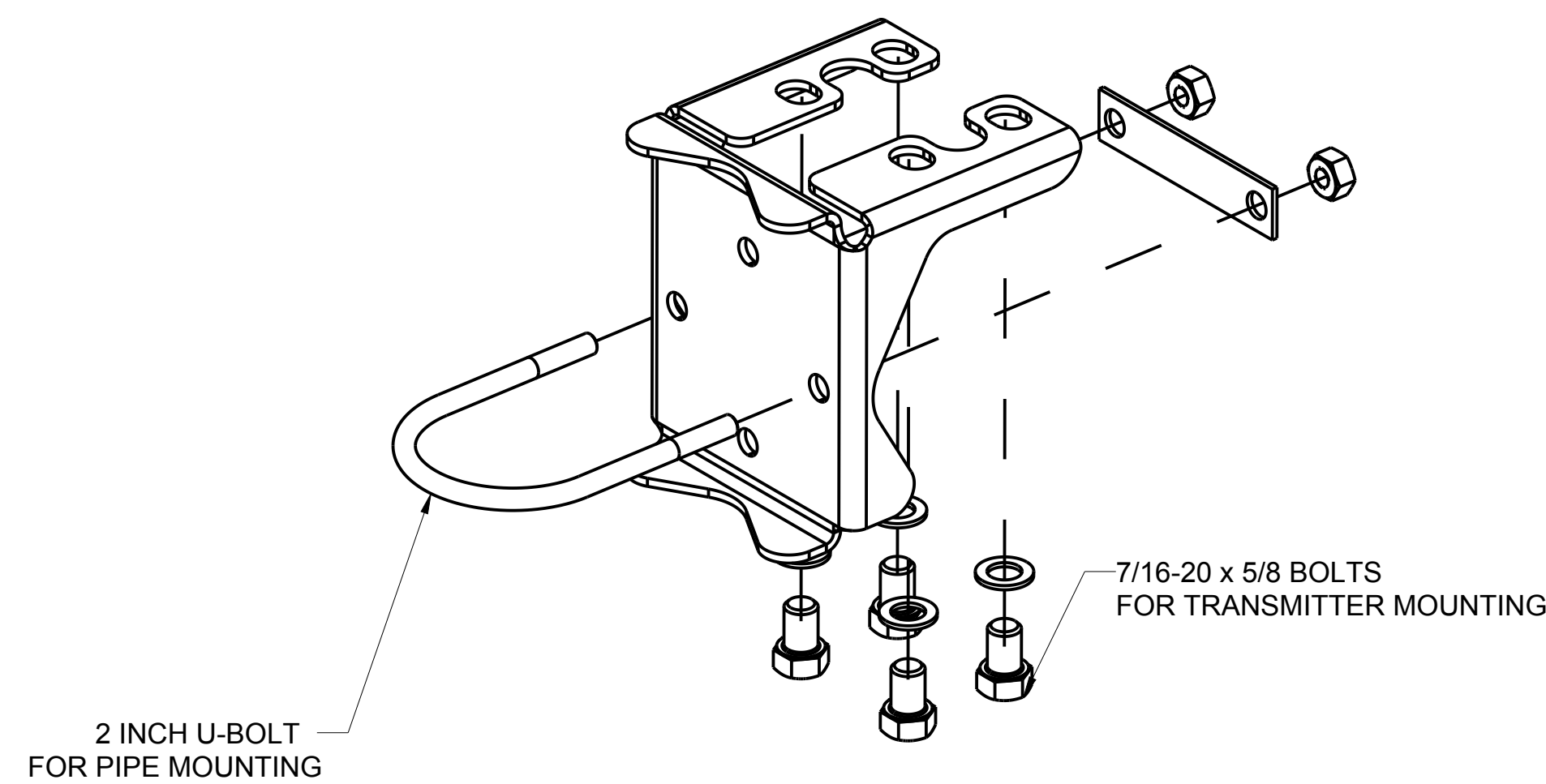
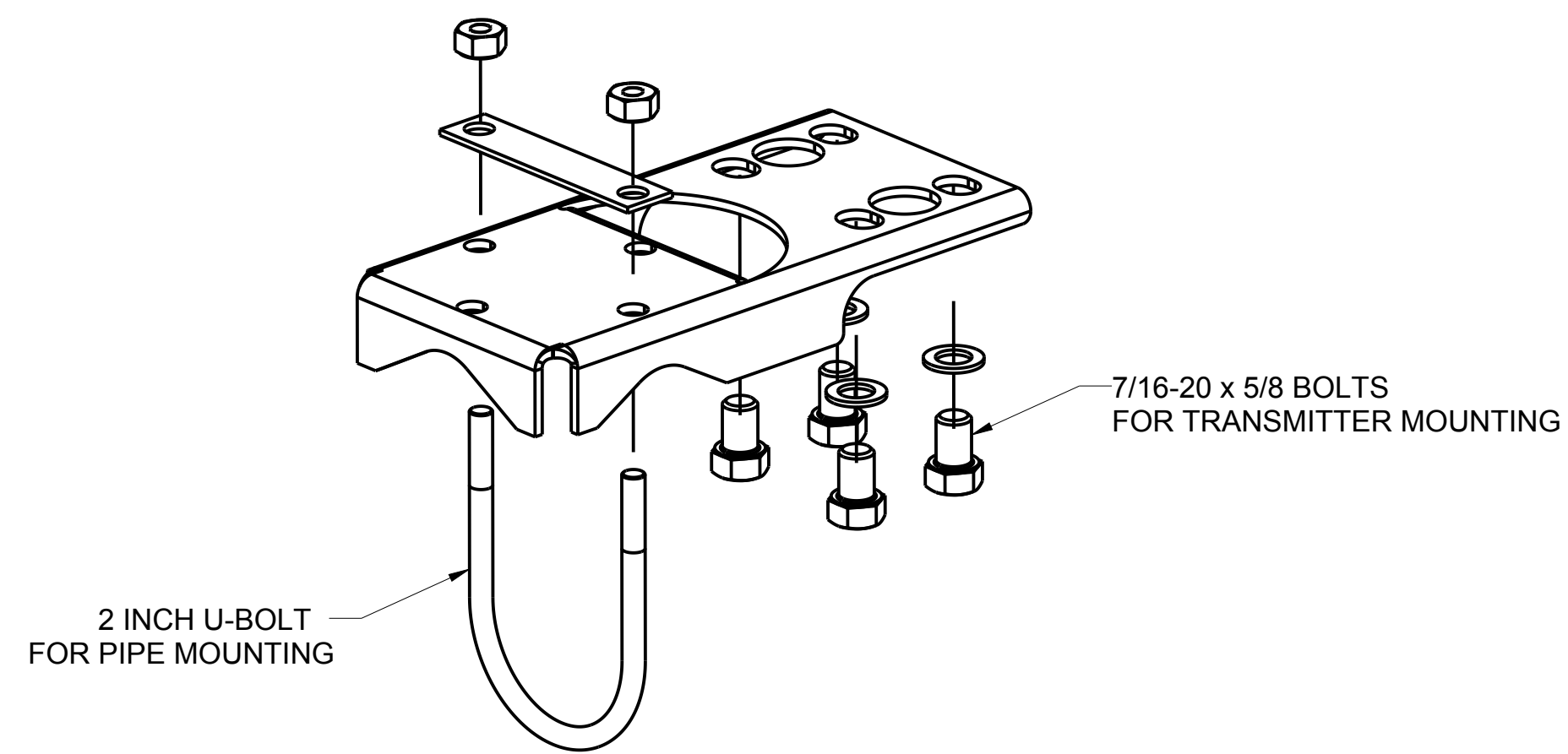
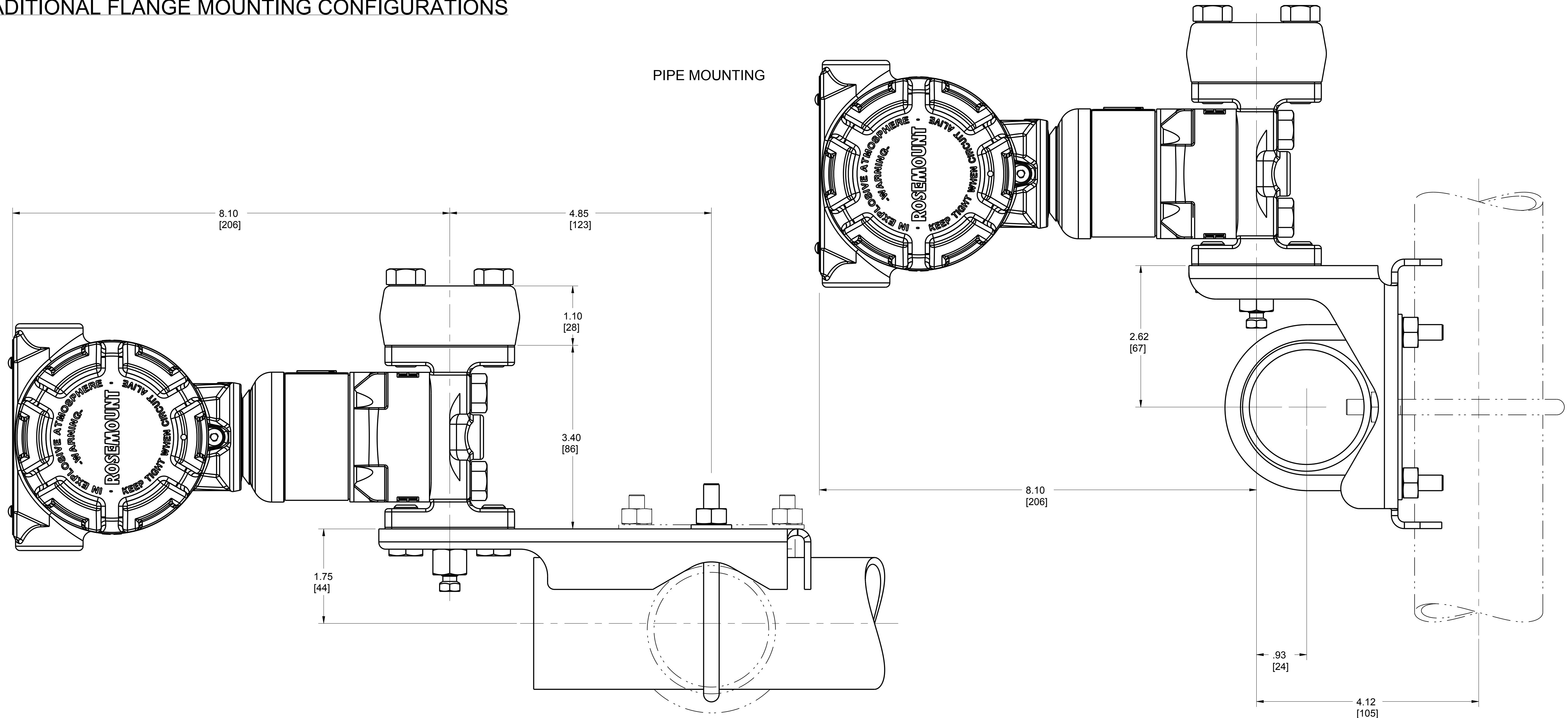
PLANTWEB HOUSING



©2015 ROSEMOUNT INC. ROSEMOUNT INC. CERTIFIES THIS PRODUCT TO THE REQUIREMENTS OF THE ATEX DIRECTIVE IN ACCORDANCE WITH ROSEMOUNT ENGINEERING SPECIFICATIONS. UNIT NOTES IN INCHES (mm). REFERENCE ROSEMOUNT PRODUCT SPECIFICATIONS. CLICK HERE	3RD ANGLE	SIZE D	SCALE NTS
	TITLE ROSEMOUNT 4088 MULTI. TYPE I DRAWING		
	DR. J. ARMSTRONG APP'D. MCCOLLUCH	8/15/17 8/15/17	DRAWING NO. 04088-6000

ROSEMOUNT 4088 MULTIVARIABLE TRANSMITTER
TRADITIONAL FLANGE MOUNTING CONFIGURATIONS

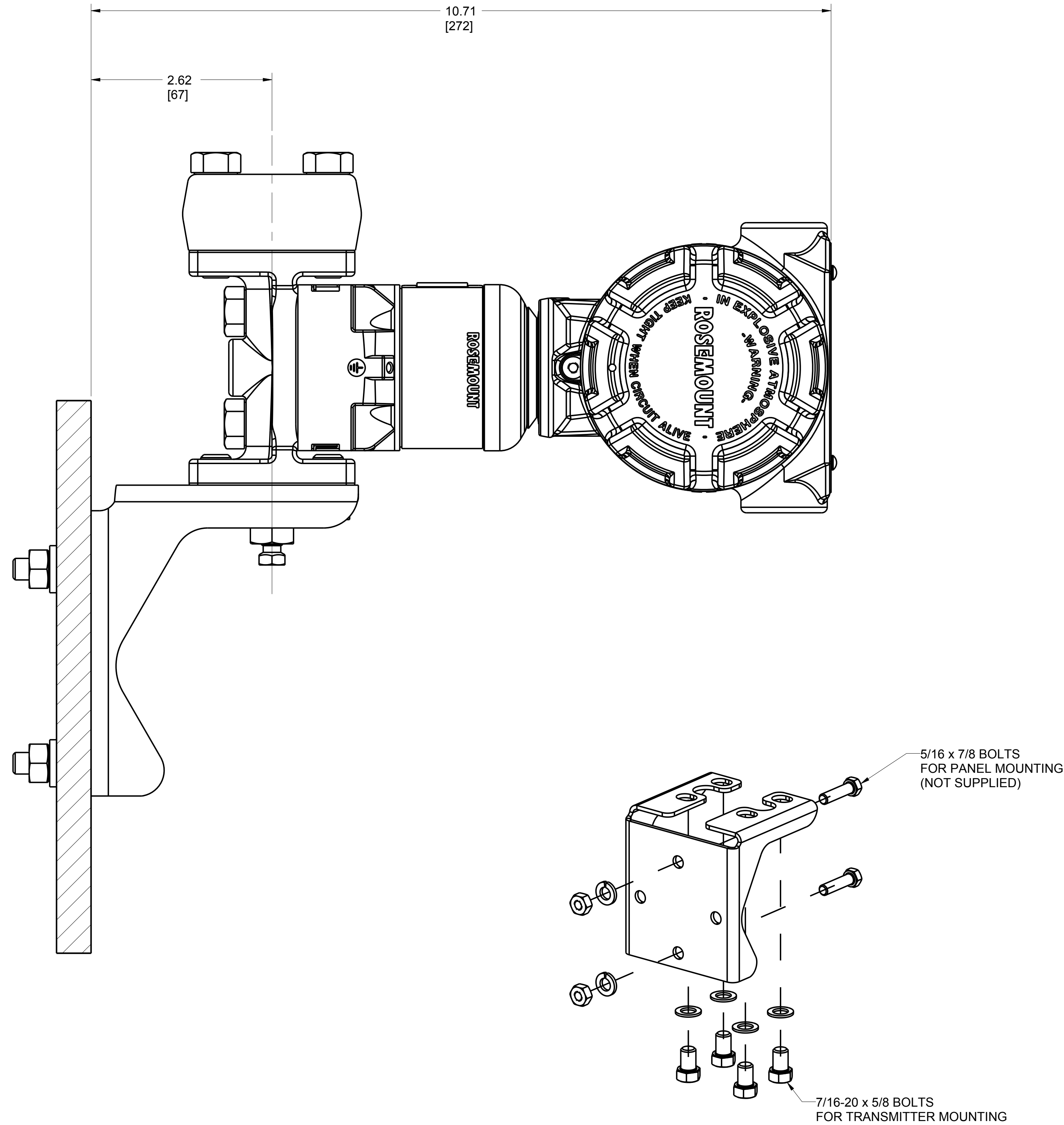
PIPE MOUNTING



©2015 ROSEMOUNT INC. ROSEMOUNT INC. CERTIFIES THIS DRAWING TO BE IN ACCORDANCE WITH ROSEMOUNT ENGINEERING SPECIFICATIONS. UNIT NOTES IN INCHES (mm). REFERENCE ROSEMOUNT PRODUCT SPECIFICATIONS. CLICK HERE	3RD ANGLE	SIZE D	SCALE NTS
	TITLE ROSEMOUNT 4088 MULTI. TYPE I DRAWING		
	DR. J. ARMSTRONG APP'D. MCCOLLUCH	8/15/17 8/15/17	DRAWING NO. 04088-6000

ROSEMOUNT 4088 MULTIVARIABLE TRANSMITTER
TRADITIONAL FLANGE MOUNTING CONFIGURATION

PANEL MOUNTING



©2015 ROSEMOUNT INC.
ROSEMOUNT INC. CERTIFIES
THIS DRAWING IS IN
ACCORDANCE WITH
ROSEMOUNT ENGINEERING
SPECIFICATIONS.
UNIT NOTES IN INCHES (mm).
REFERENCE ROSEMOUNT
PRODUCT SPECIFICATIONS.
CLICK HERE

3RD ANGLE

EMERSON

TITLE ROSEMOUNT 4088 MULTI.
TYPE I DRAWING

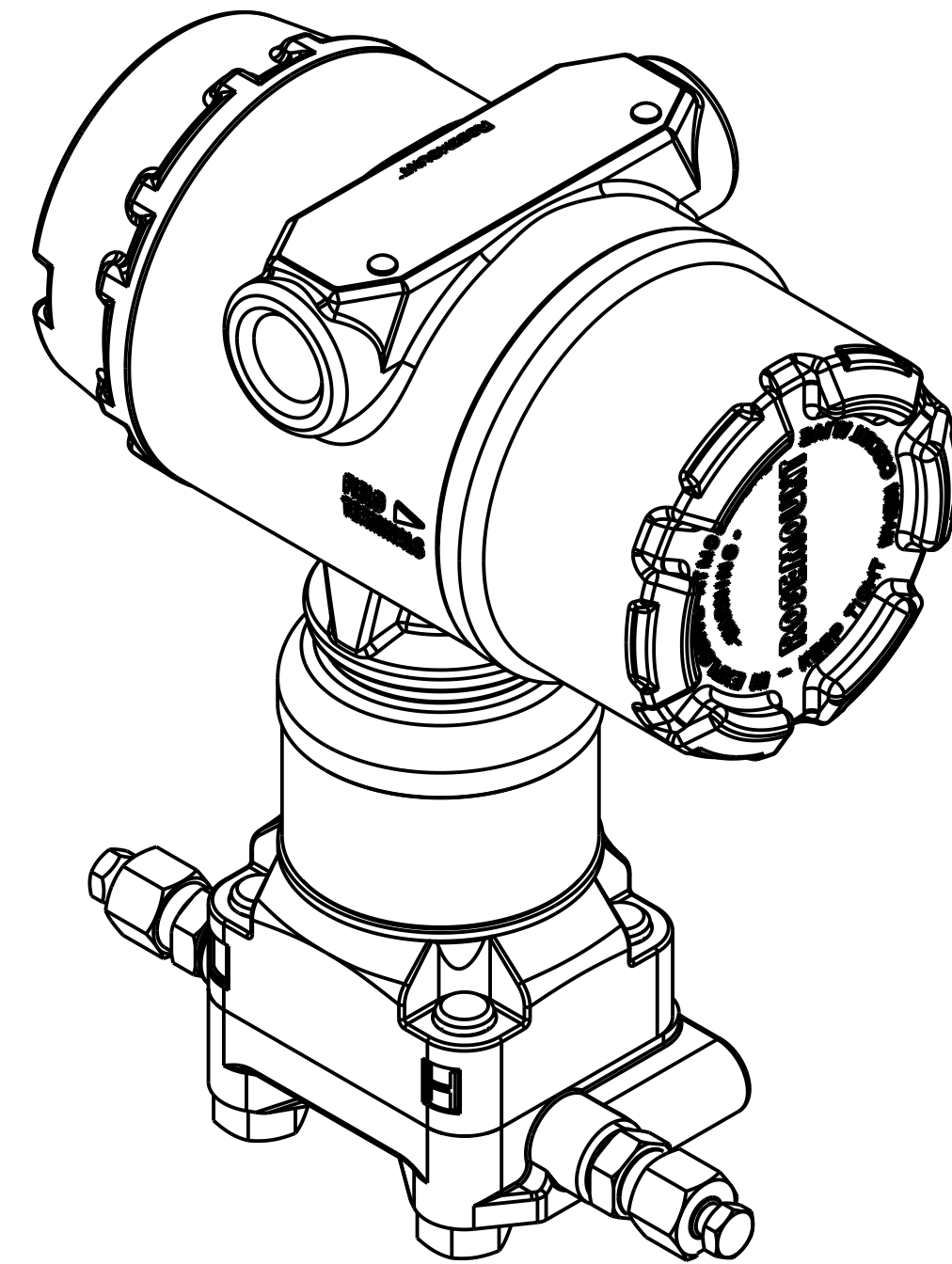
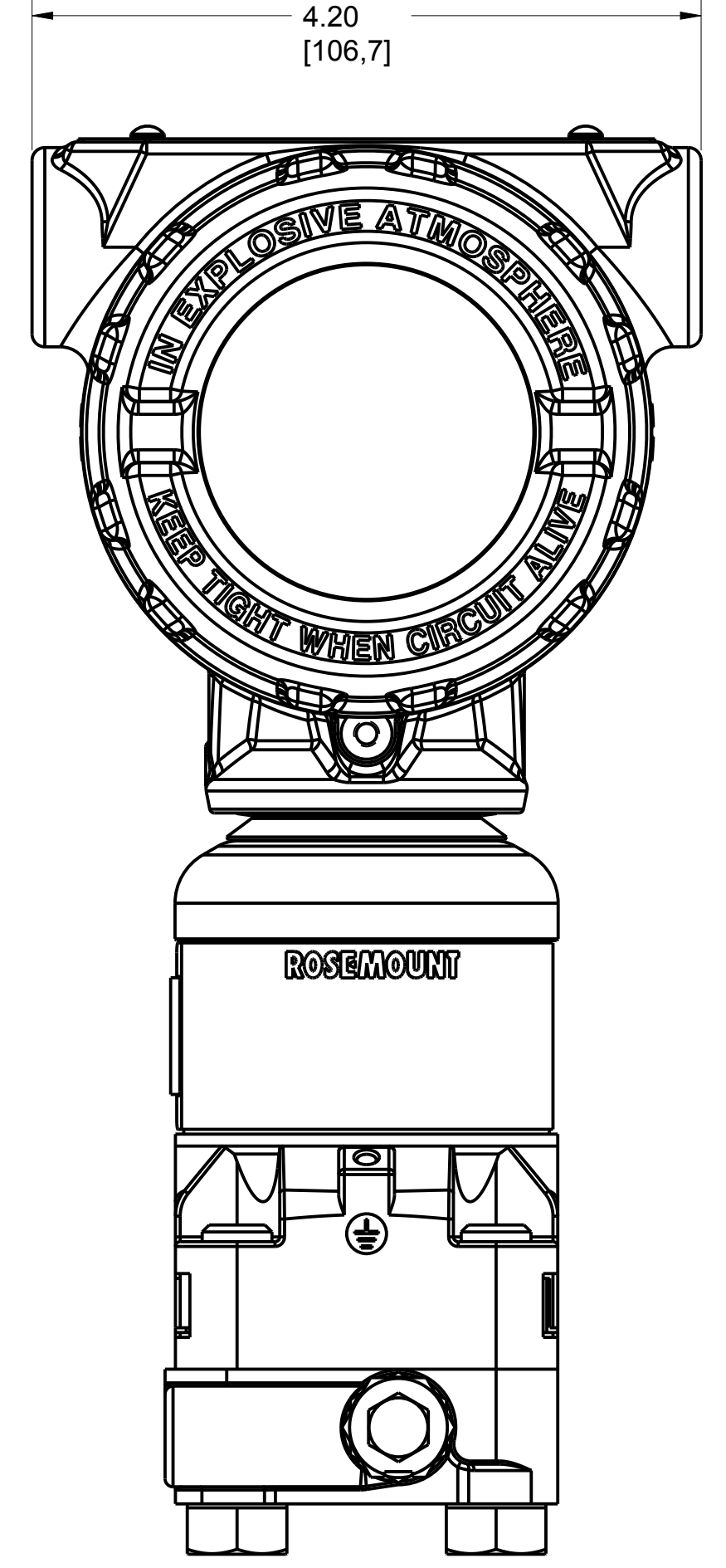
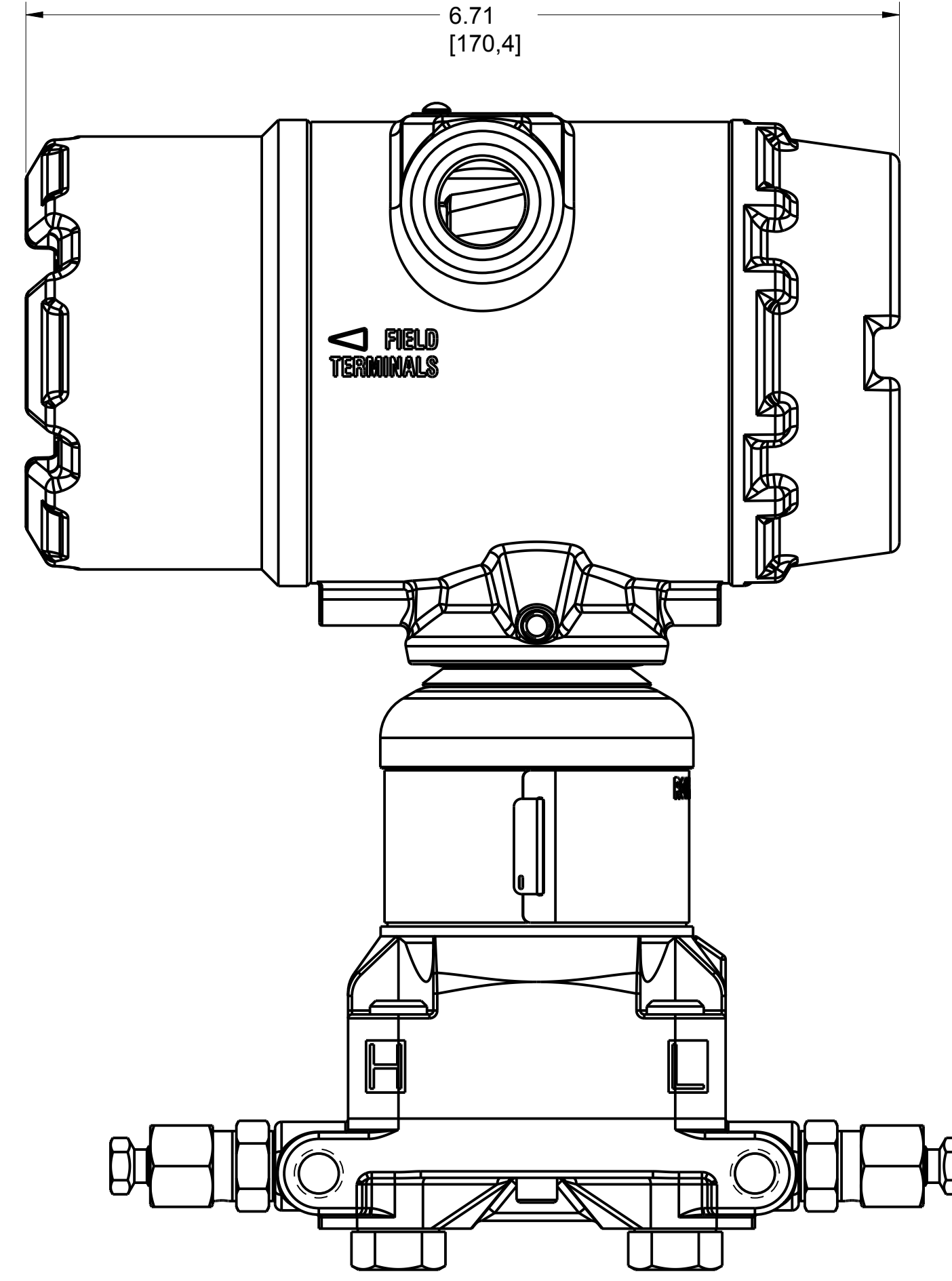
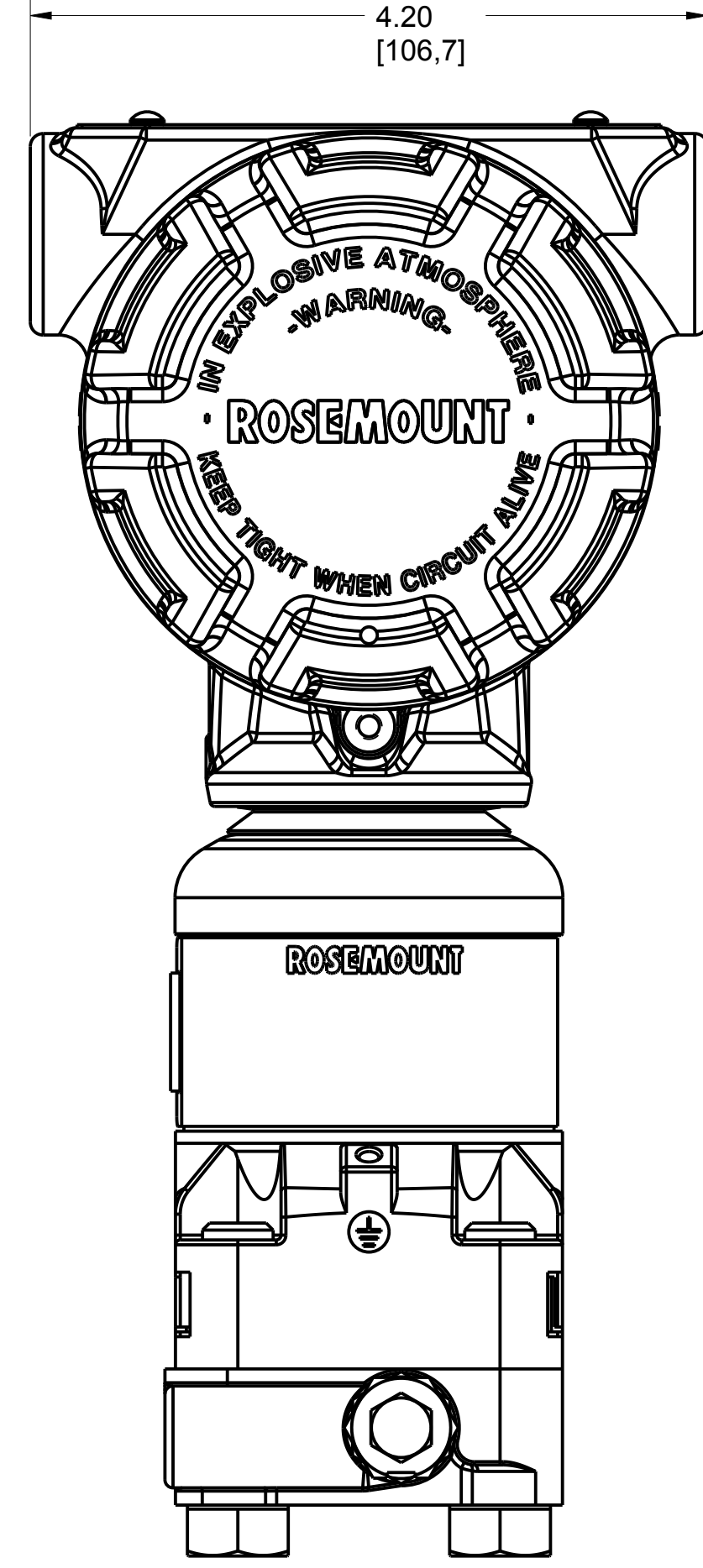
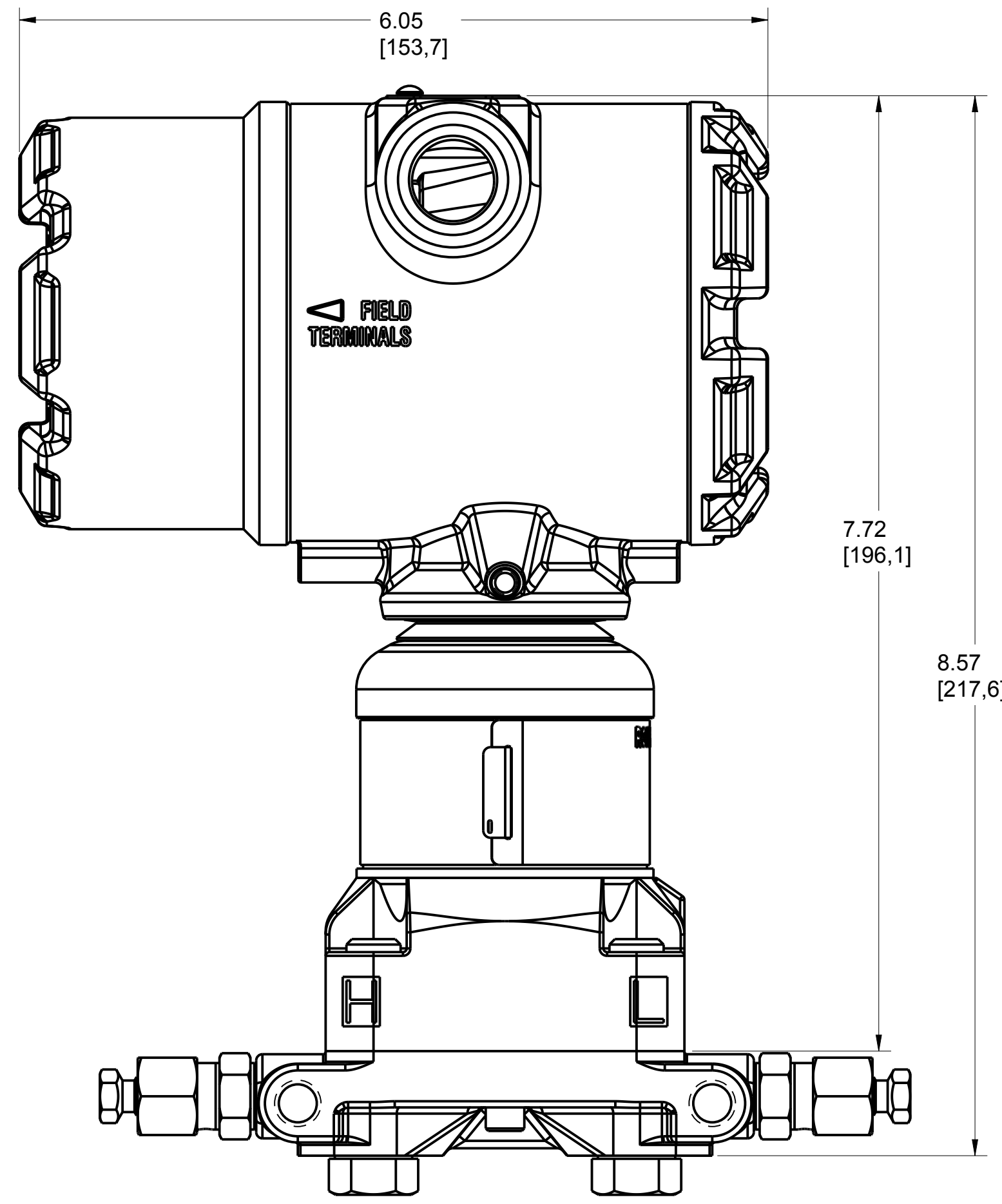
DR. J. ARMSTRONG	8/15/17	DRAWING NO.	04088-6000
APP'D. MCCOLLUCH	8/15/17		

CAD MAINTAINED, (PROE) SHEET 5 OF 6

ROSEMOUNT 4088 MULTIVARIABLE TRANSMITTER
 COPLANAR FLANGE PROCESS CONNECTION WITH EXTENDED COVER

PLANTWEB HOUSING WITH EXTENDED COVER

PLANTWEB HOUSING WITH EXTENDED COVER
 SHOWN WITH OPTIONAL DIGITAL DISPLAY



©2015 ROSEMOUNT INC. ROSEMOUNT INC. CERTIFIES THIS DRAWING TO BE IN ACCORDANCE WITH ROSEMOUNT ENGINEERING SPECIFICATIONS. UNIT NOTES IN INCHES (mm). REFERENCE ROSEMOUNT PRODUCT SPECIFICATIONS. CLICK HERE	3RD ANGLE	SIZE D	SCALE NTS
	TITLE ROSEMOUNT 4088 MULTI. TYPE I DRAWING		
	DR. J. ARMSTRONG APP'D. MCCOLLUCH	8/15/17 8/15/17	DRAWING NO. 04088-6000