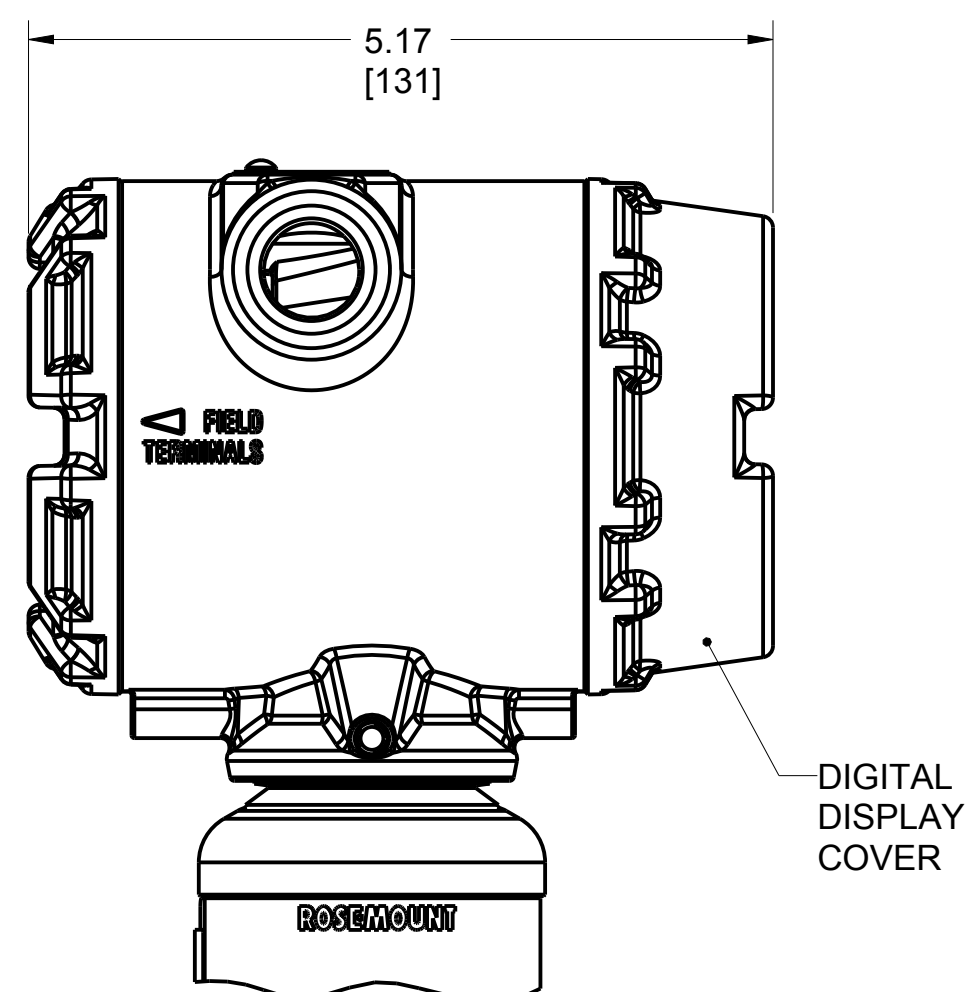
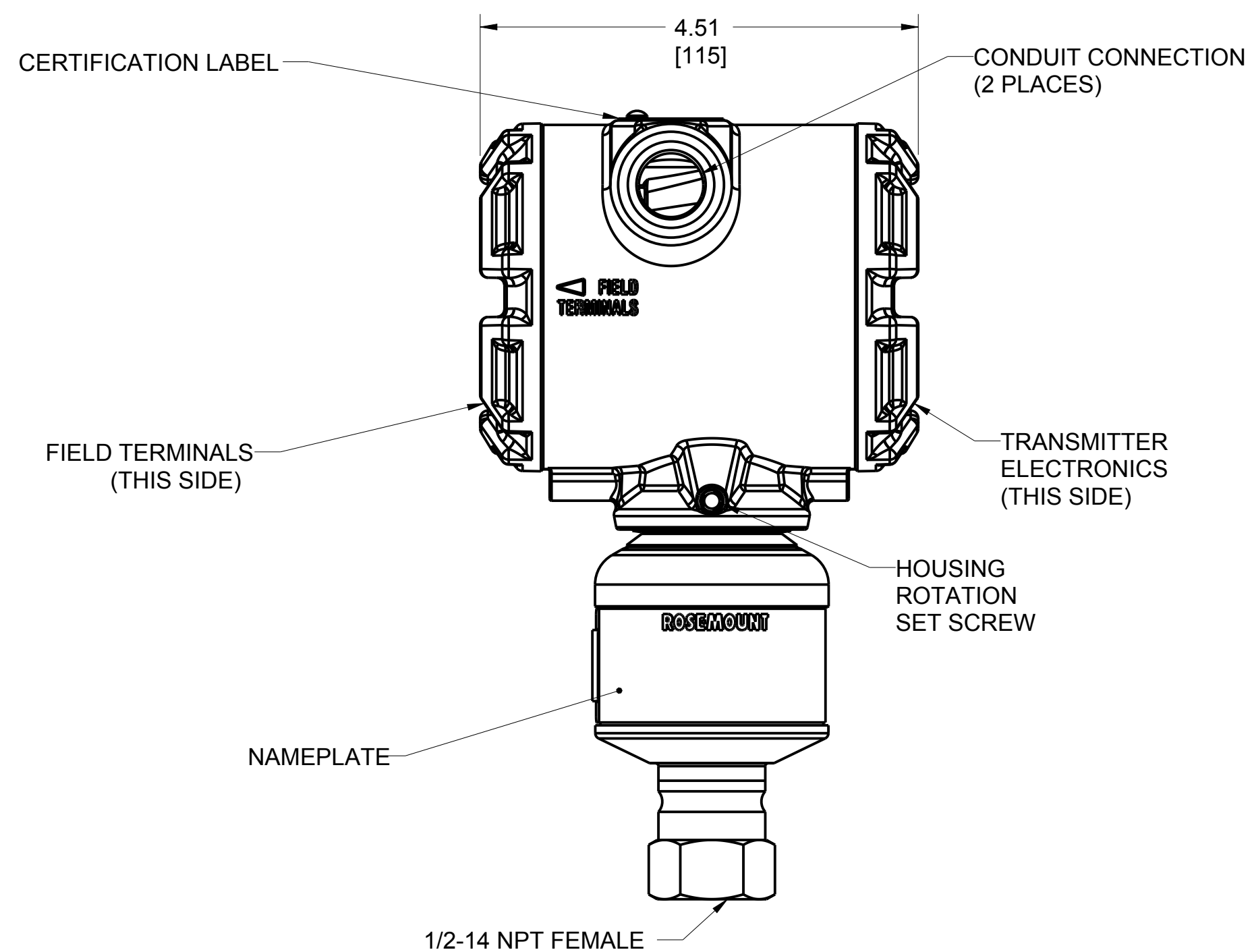


ROSEMOUNT 4088 IN-LINE PRESSURE TRANSMITTER 1/2-14 NPT FEMALE PROCESS CONNECTION

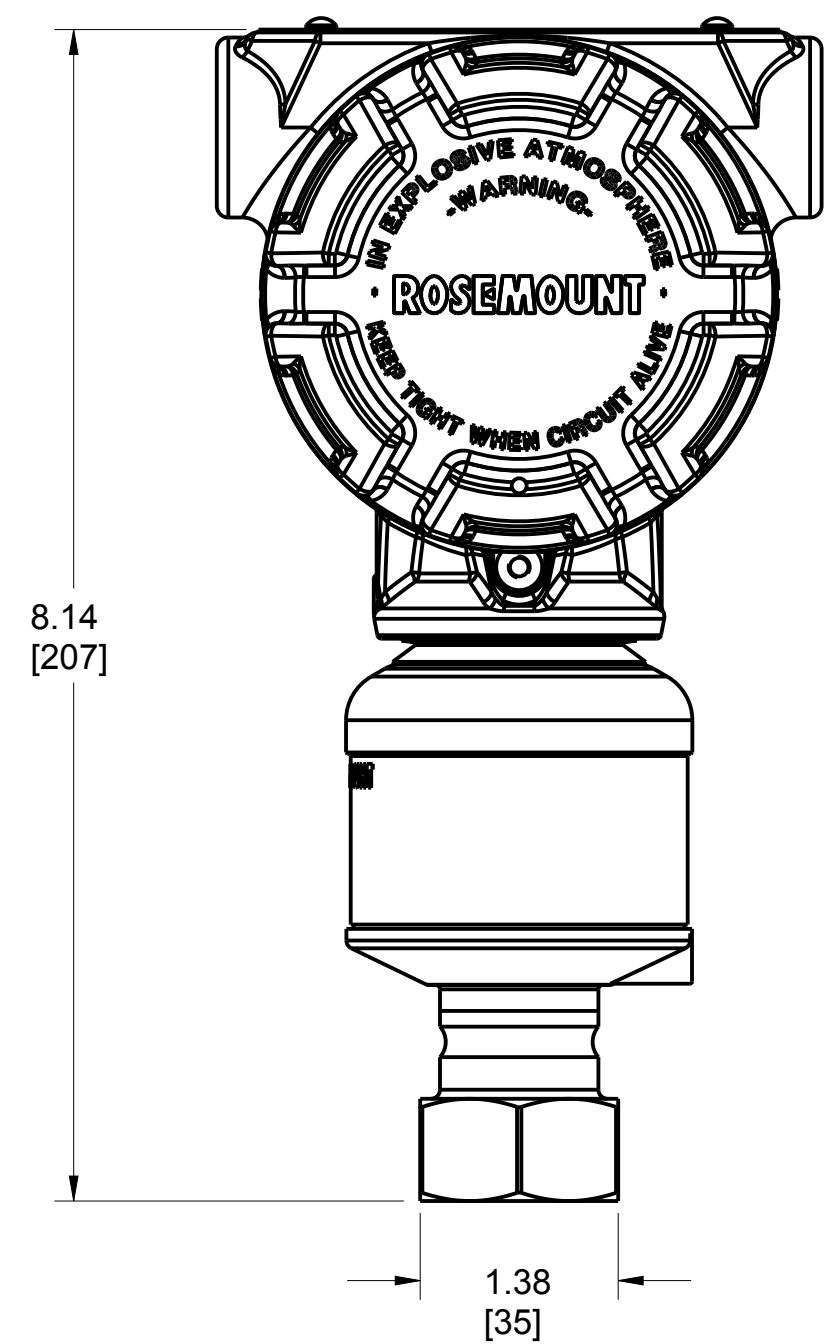
PLANTWEB HOUSING
SHOWN WITH OPTIONAL DIGITAL DISPLAY



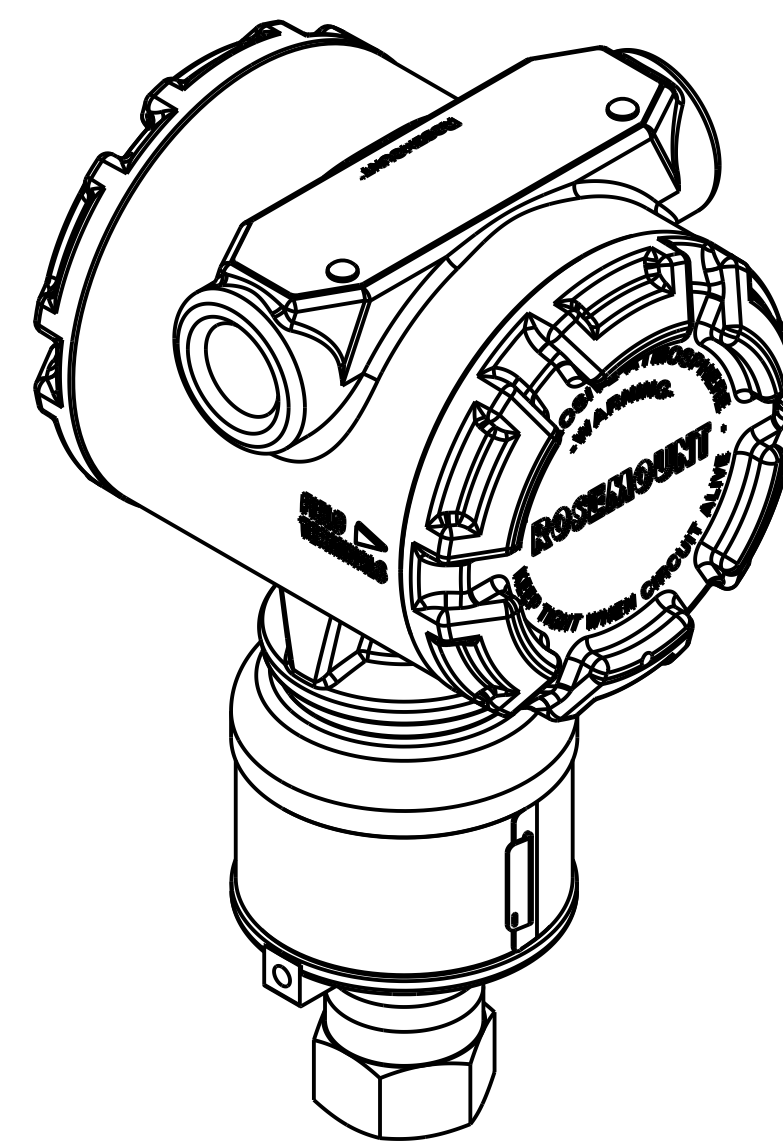
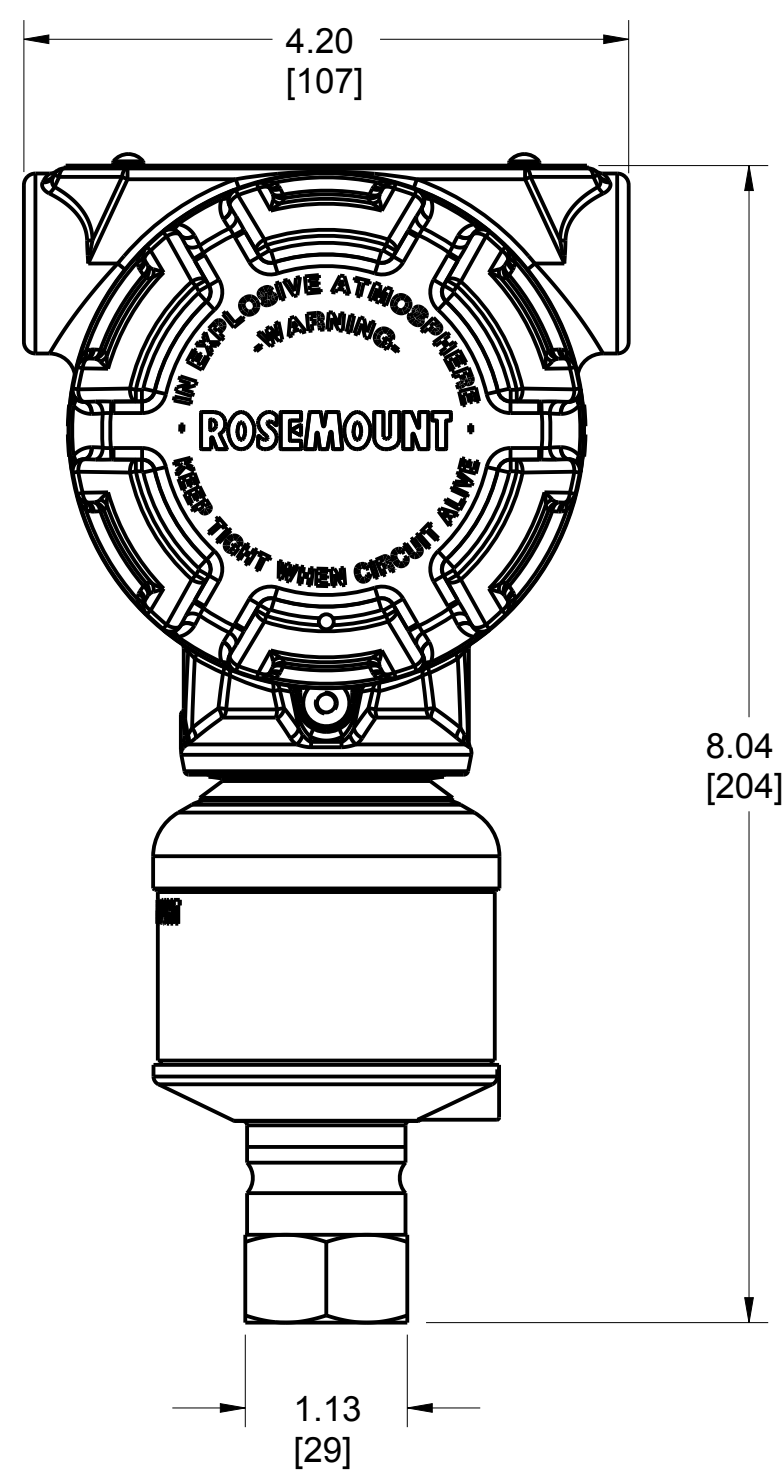
STAINLESS STEEL PROCESS WETTED
PLANTWEB HOUSING



PRESSURE RANGE OPTION 5

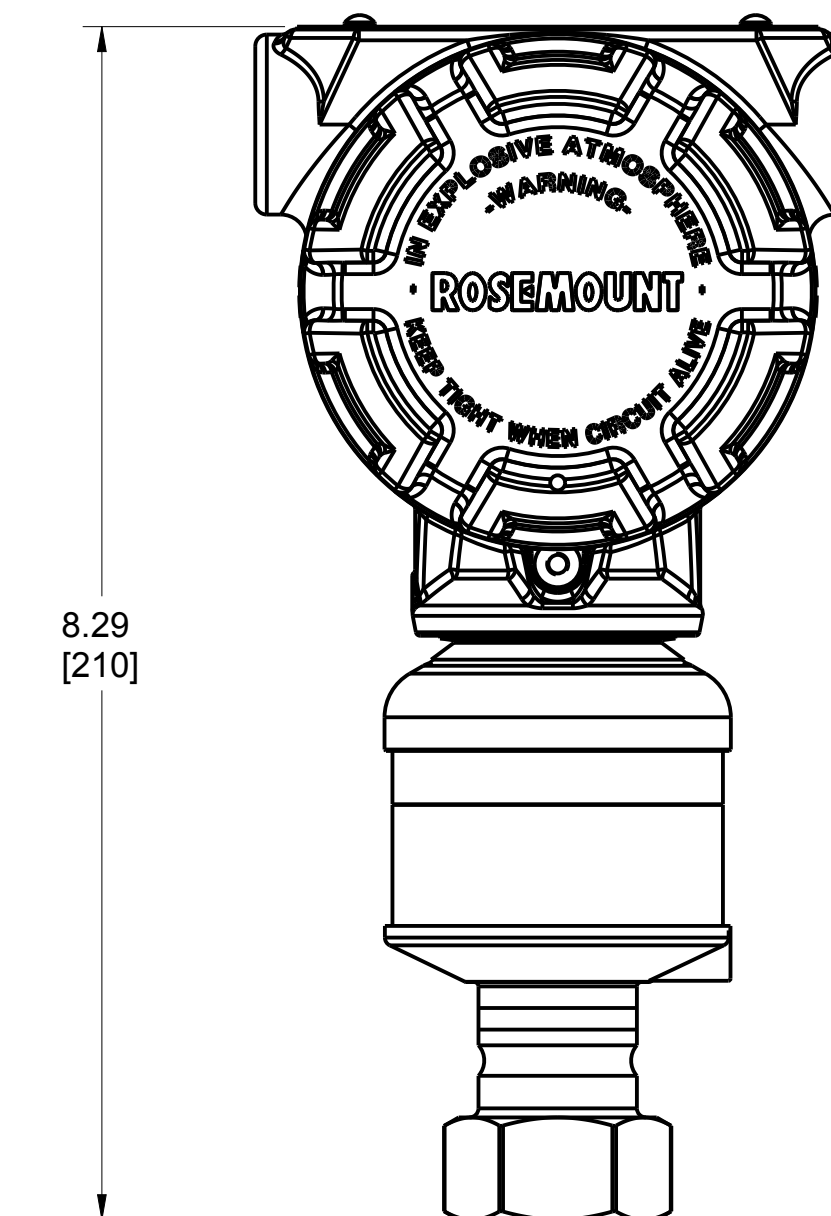


PLANTWEB HOUSING
PRESSURE RANGE OPTION 1-4

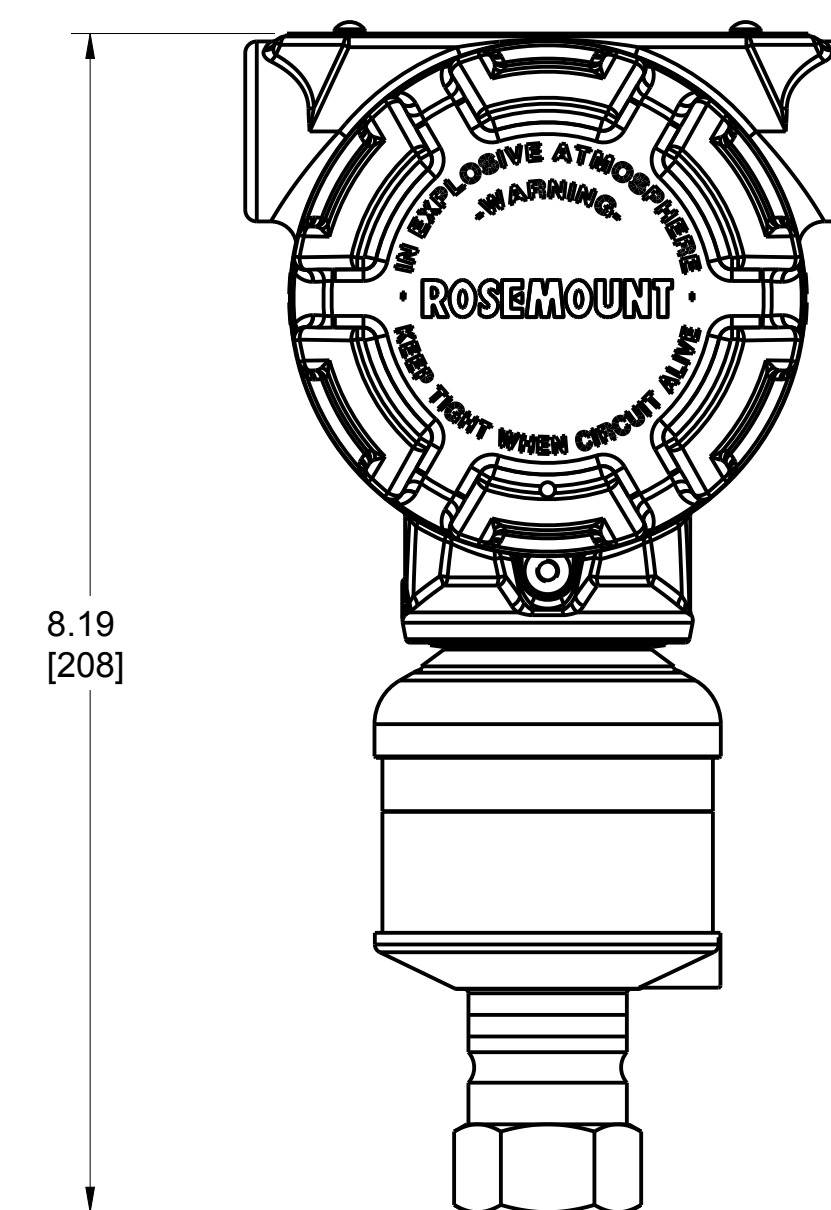


ALLOY C-276 PROCESS WETTED
PLANTWEB HOUSING

PRESSURE RANGE OPTION 5



PRESSURE RANGE OPTION 1-4



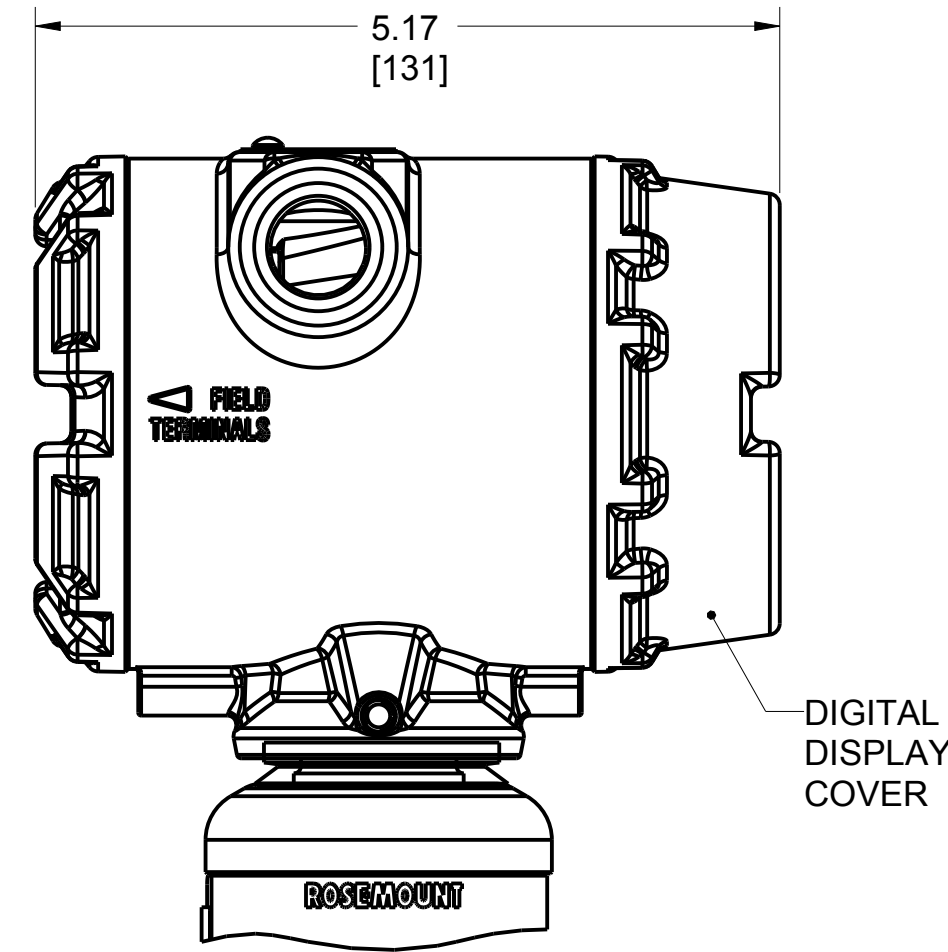
| REVISION TABLE | | | |
|--------------------|------------|--------------|---------|
| REVISION | ECO NO. | APP'D | DATE |
| AC | RTC1069109 | T. MCCULLOCH | 9/28/17 |
| DESCRIPTION | | | |
| ADD EXTENDED COVER | | | |

| | | | |
|--|--|--------------------|----------------------------------|
| ©2015 ROSEMOUNT INC. ROSEMOUNT INC. CERTIFIES THIS DRAWING IS MADE IN ACCORDANCE WITH ROSEMOUNT ENGINEERING SPECIFICATIONS. UNIT NOTES IN INCHES (mm). REFERENCE ROSEMOUNT PRODUCT SPECIFICATIONS. CLICK HERE | 3RD ANGLE | SIZE D | SCALE NTS |
| | | | |
| | TITLE ROSEMOUNT 4088 IN-LINE TYPE I DRAWING | | |
| | DR. J.ARMSTRONG APP'D T. MCCULLOCH | 9/28/17 9/28/17 | DRAWING NO. 04088-6001 |

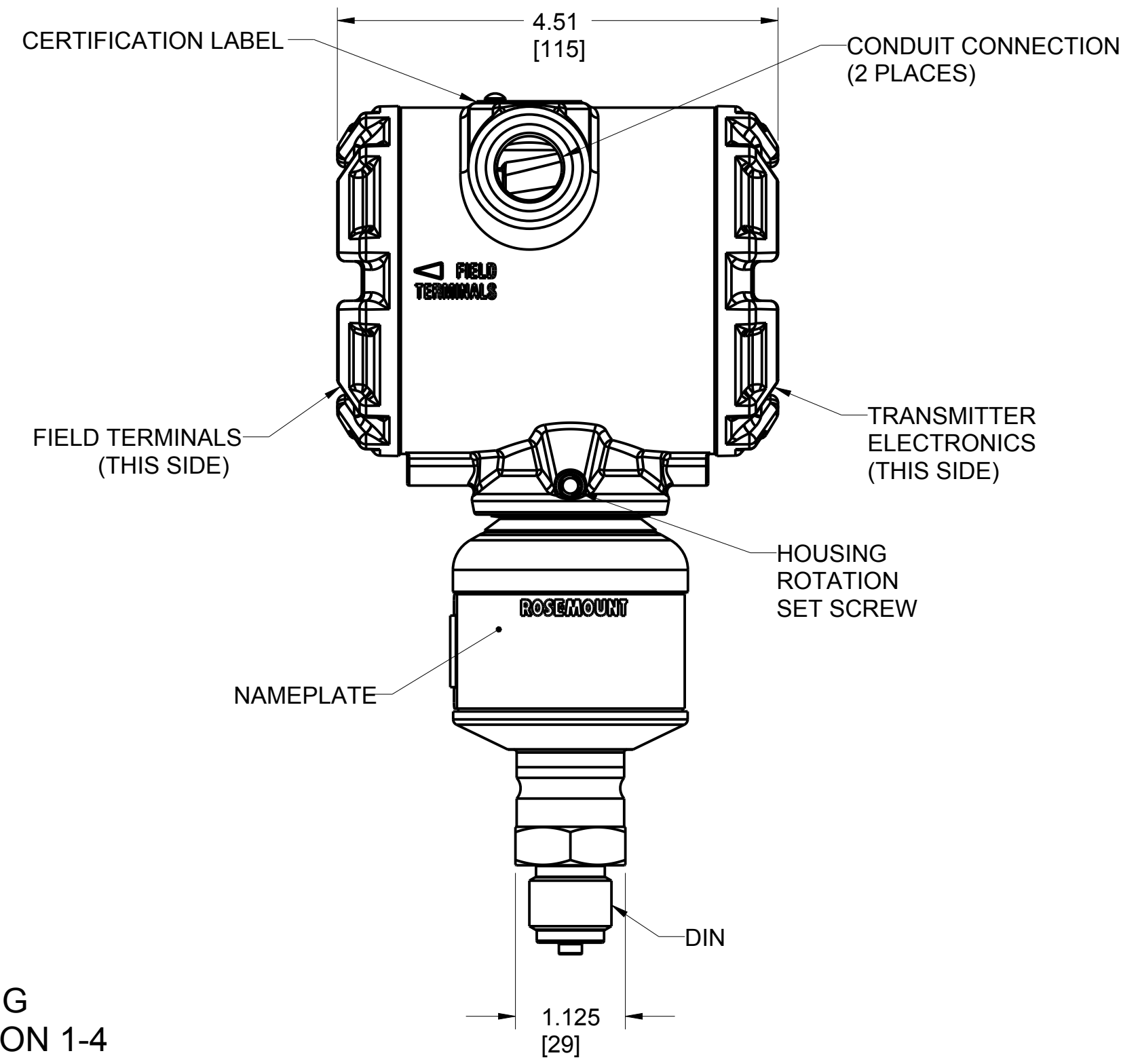
ROSEMOUNT 4088 IN-LINE PRESSURE TRANSMITTER
G 1/2 A DIN 16288 MALE PROCESS CONNECTION

STAINLESS STEEL PROCESS WETTED

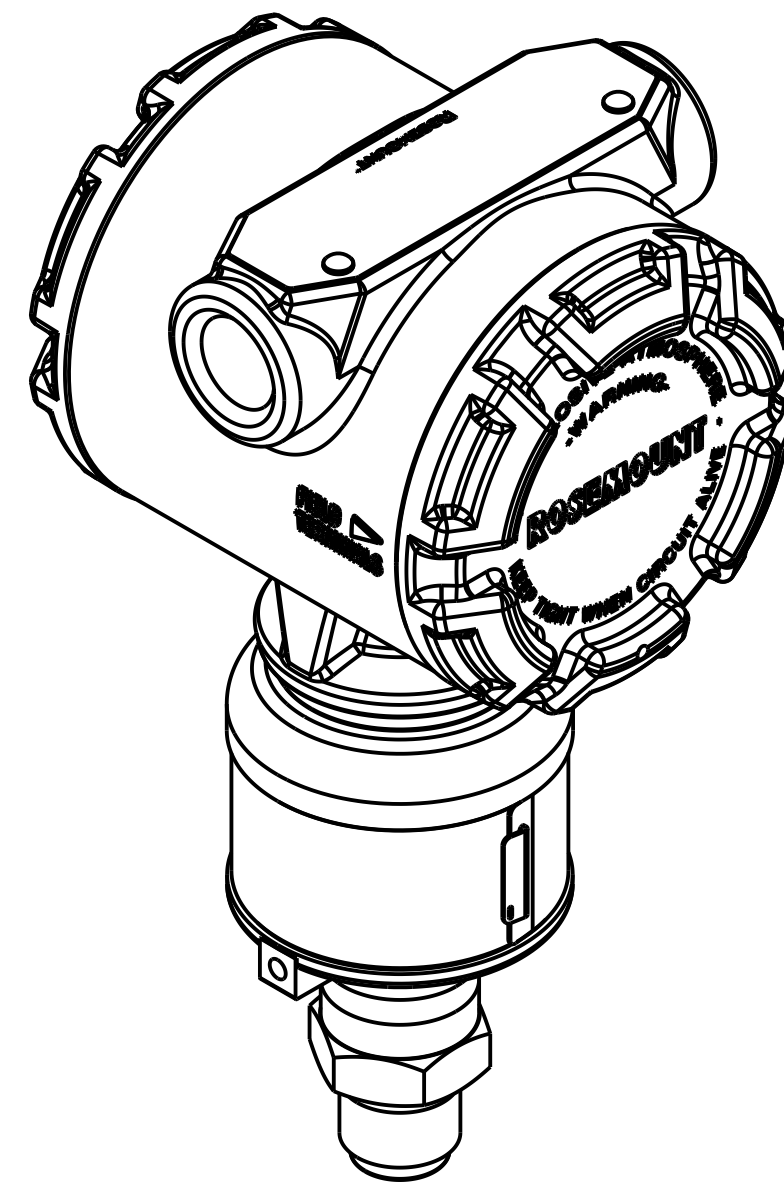
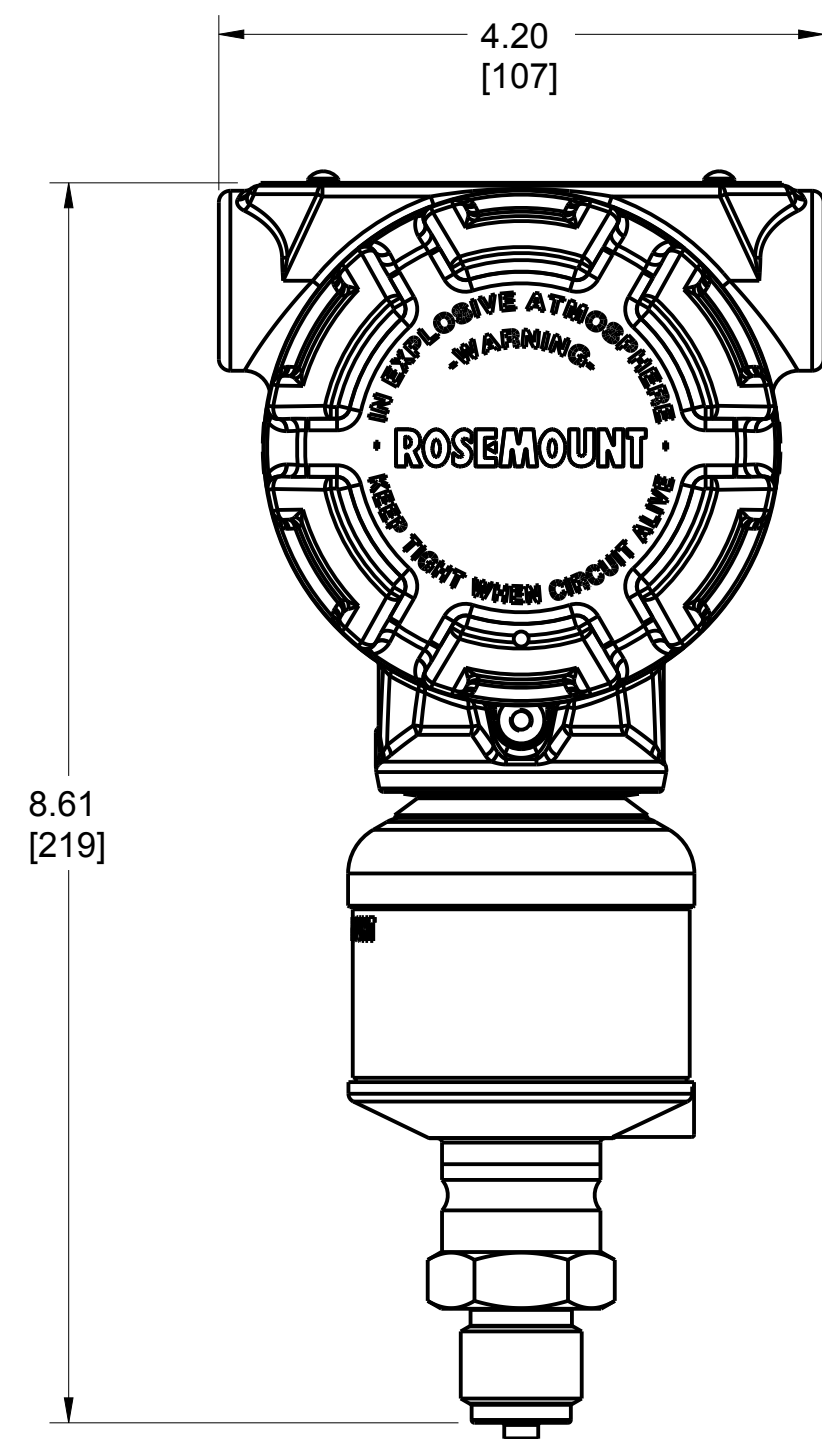
PLANTWEB HOUSING
SHOWN WITH OPTIONAL DIGITAL DISPLAY



PLANTWEB HOUSING

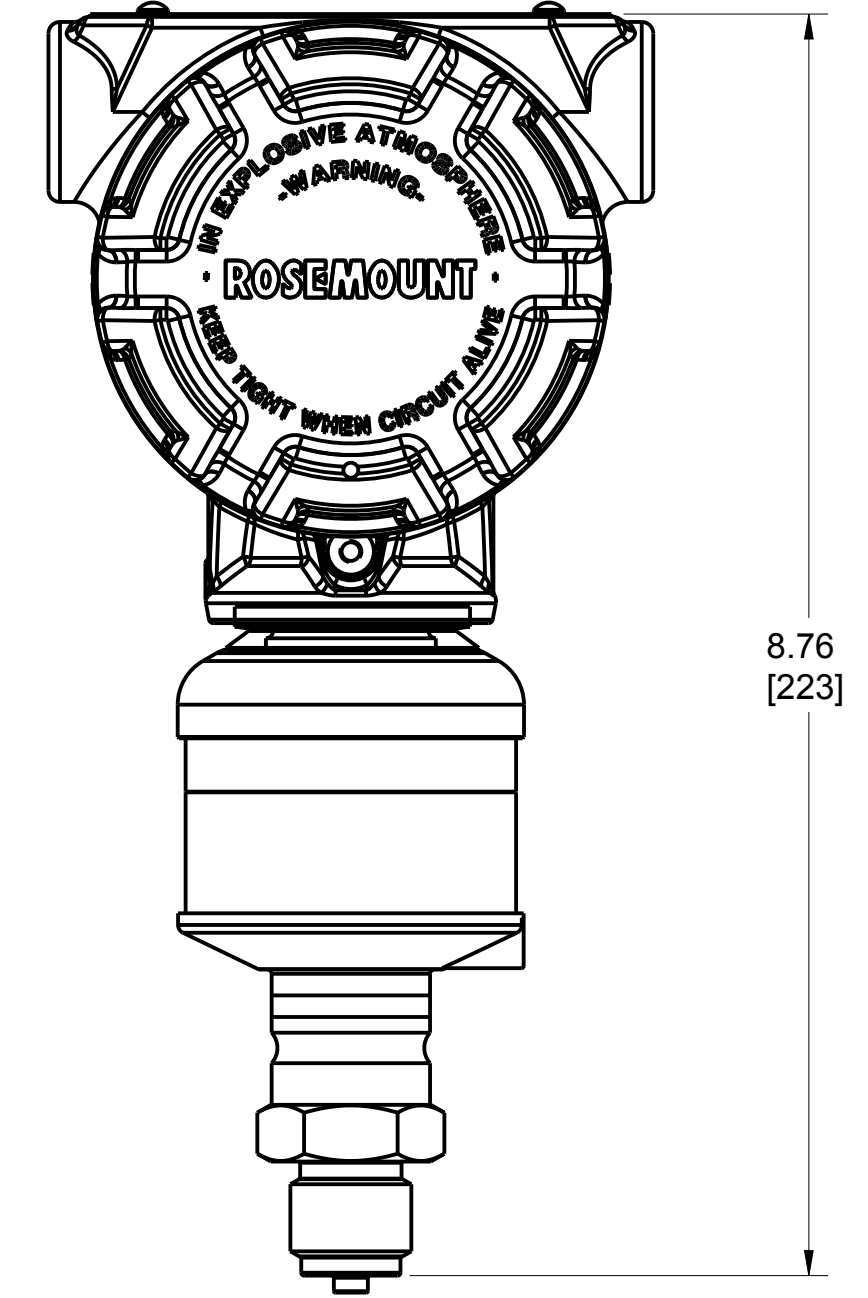


PLANTWEB HOUSING
PRESSURE RANGE OPTION 1-4



ALLOY C-276 PROCESS WETTED
PLANTWEB HOUSING

PRESSURE RANGE OPTION 1-4

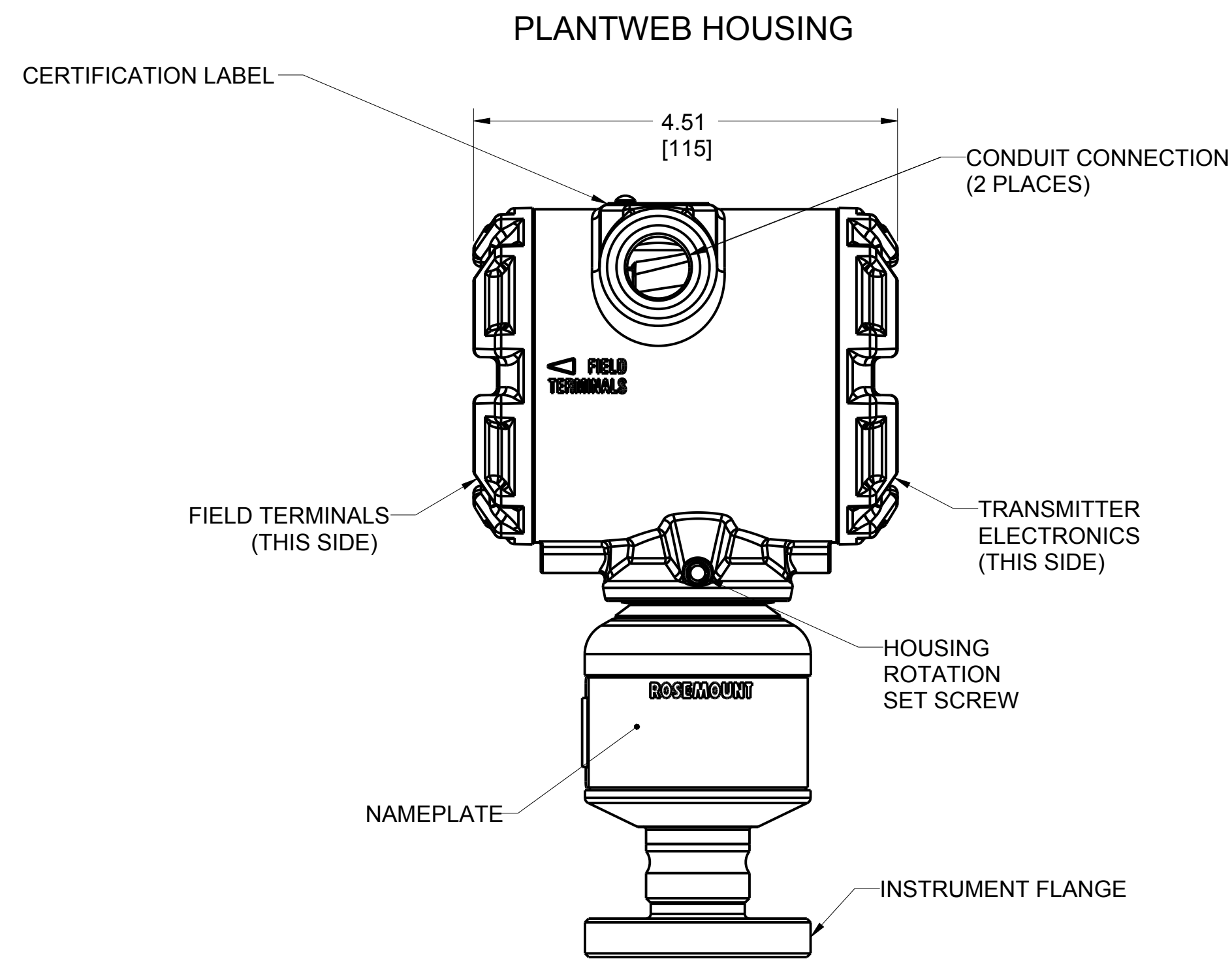
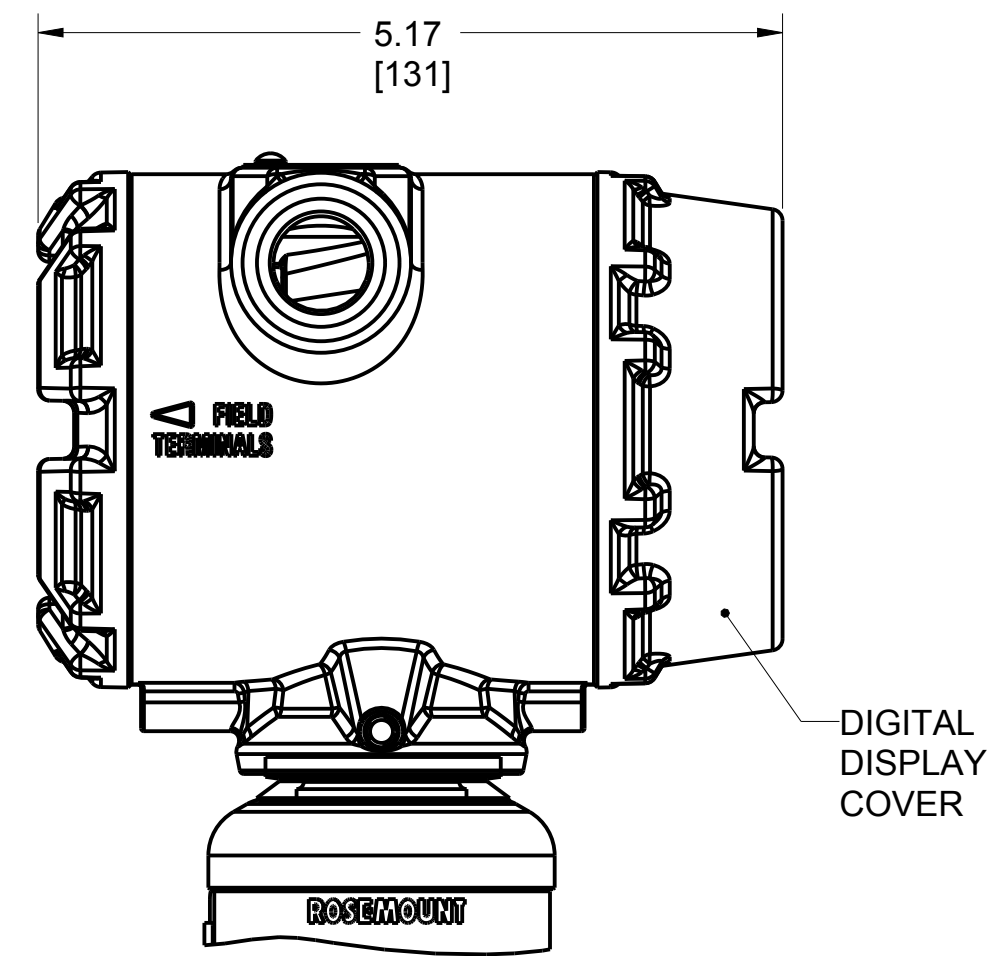


| | | | | |
|--|--|-------------------------------|--|--|
| <p>©2015 ROSEMOUNT INC. ROSEMOUNT INC. CERTIFIES THIS DRAWING IS MADE IN ACCORDANCE WITH ROSEMOUNT ENGINEERING SPECIFICATIONS. UNIT NOTES IN INCHES (mm). REFERENCE ROSEMOUNT PRODUCT SPECIFICATIONS. CLICK HERE</p> | | | | |
| | <p>TITLE ROSEMOUNT 4088 IN-LINE TYPE I DRAWING</p> | | | |
| | <p>DR. J.ARMSTRONG 9/28/17</p> | <p>DRAWING NO. 04088-6001</p> | | |
| | <p>APPD MB 12/16/13</p> | | | |
| <p>CAD MAINTAINED, (PROE)</p> | | <p>SHEET 2 OF 6</p> | | |

ROSEMOUNT 4088 IN-LINE PRESSURE TRANSMITTER
NON-THREADED INSTRUMENT FLANGE PROCESS CONNECTION

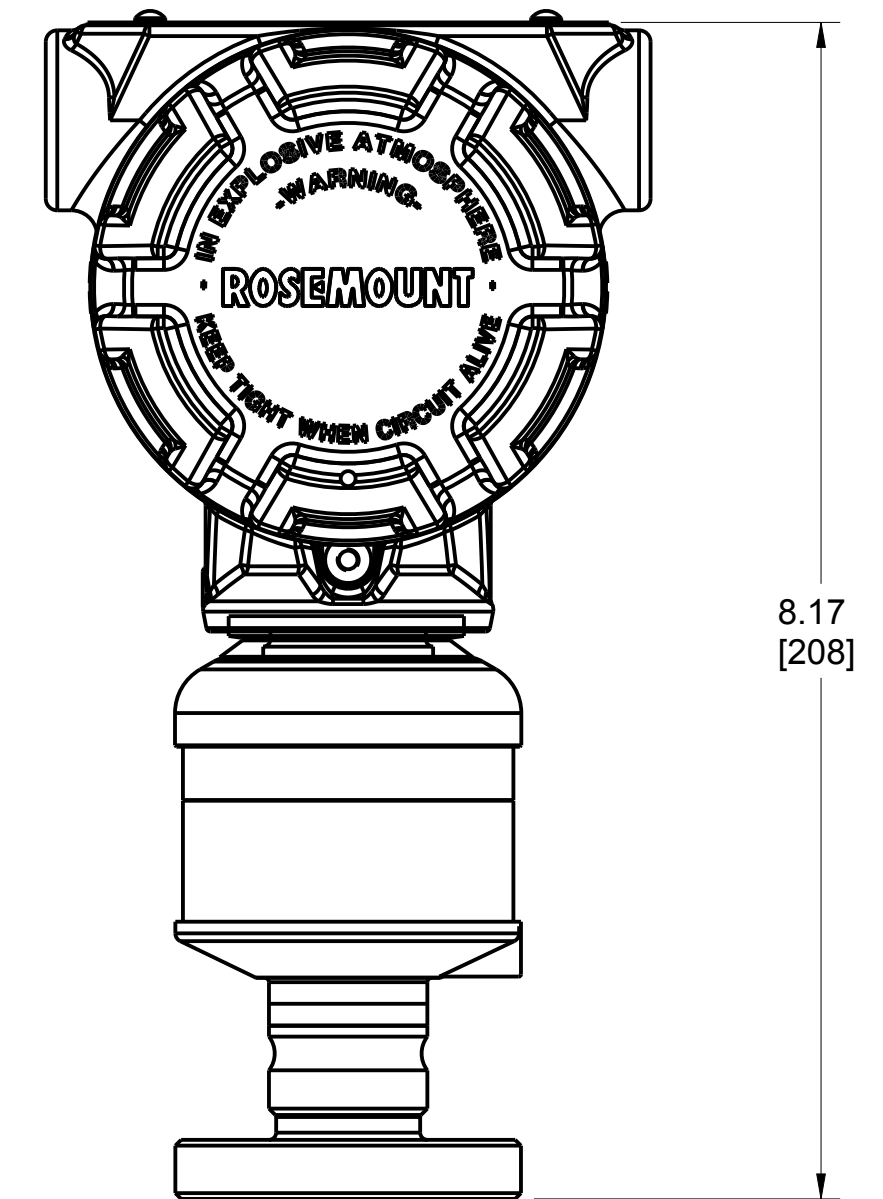
STAINLESS STEEL PROCESS WETTED

PLANTWEB HOUSING
SHOWN WITH OPTIONAL DIGITAL DISPLAY

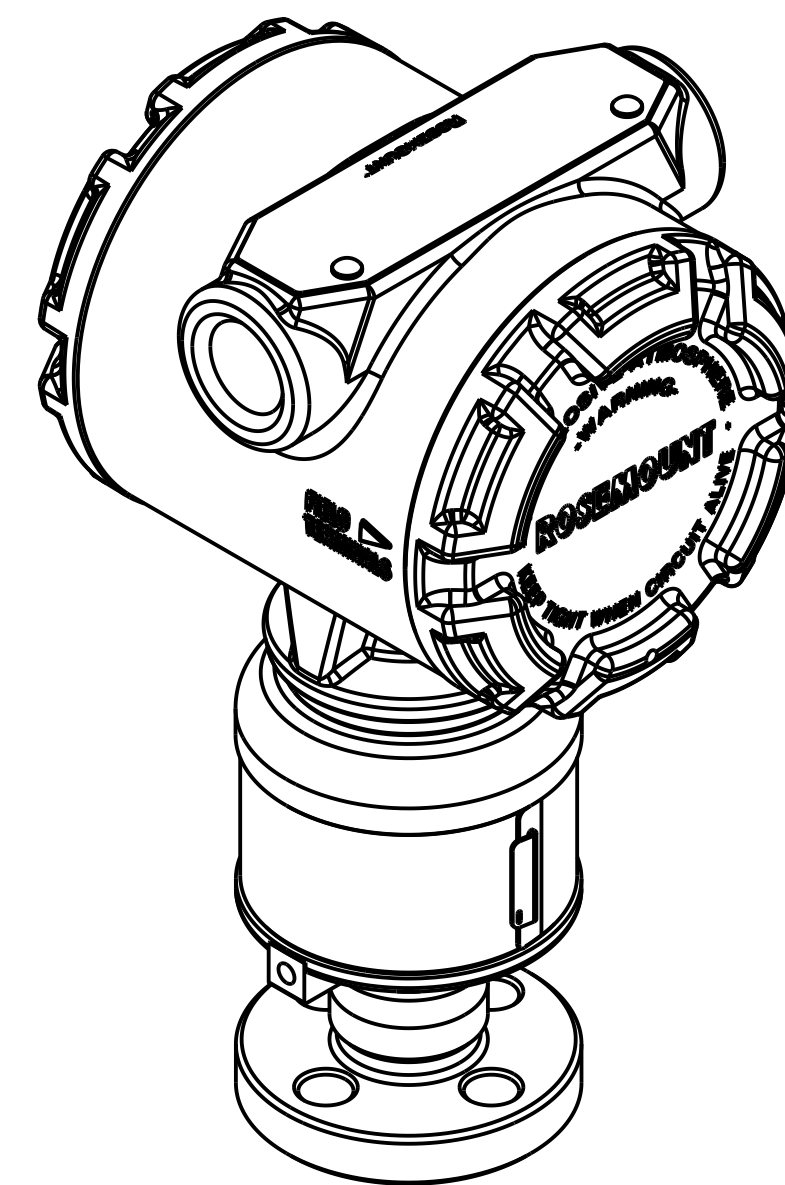
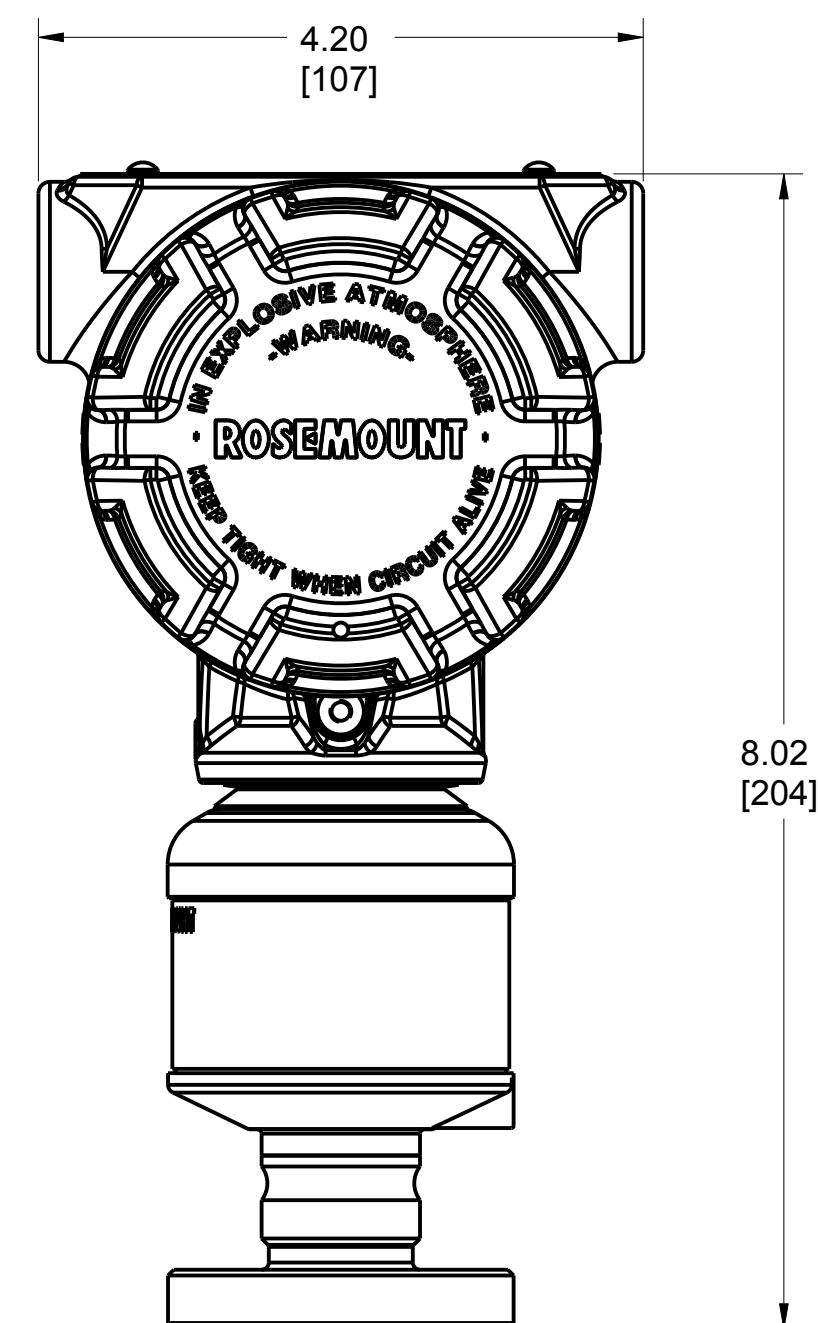


ALLOY C-276 PROCESS WETTED
PLANTWEB HOUSING

PRESSURE RANGE OPTION 1-4



PLANTWEB HOUSING
PRESSURE RANGE OPTION 1-4

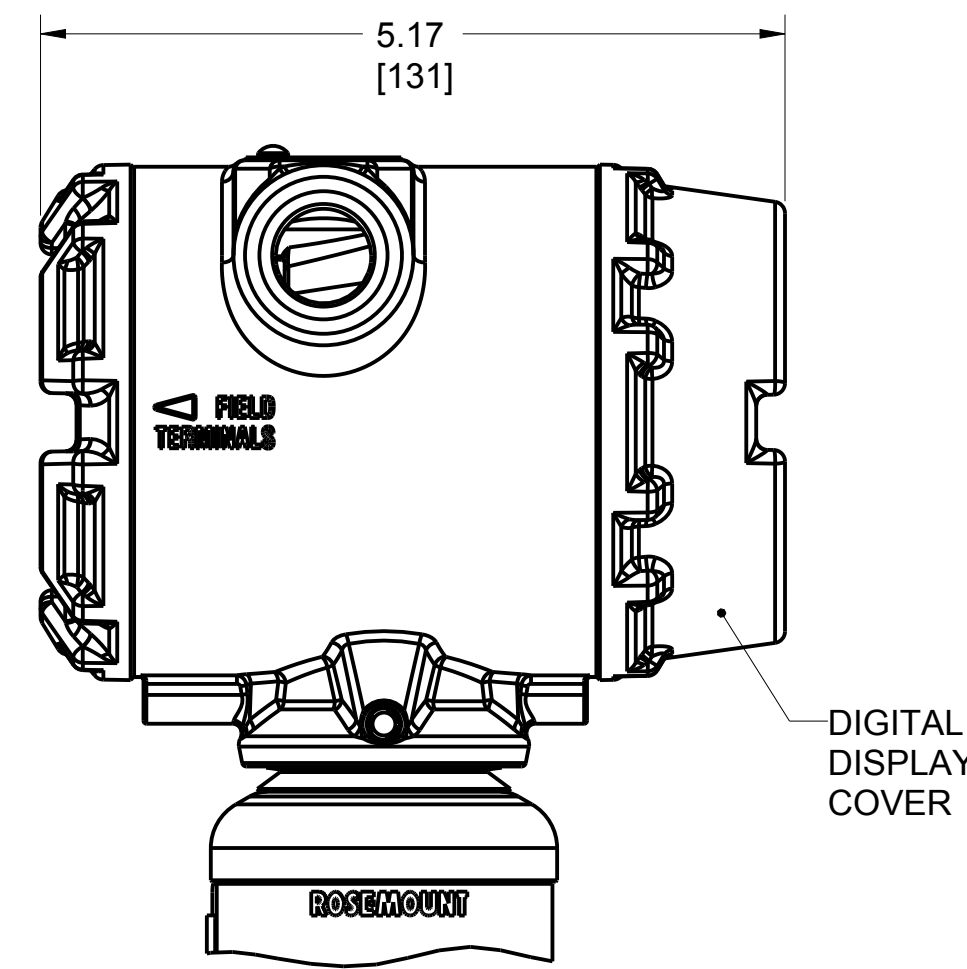


| | | | | | |
|---|---|-----------|--------------|--------------|--|
| ©2015 ROSEMOUNT INC. ROSEMOUNT INC. CERTIFIES THIS DRAWING AS BEING IN ACCORDANCE WITH ROSEMOUNT ENGINEERING SPECIFICATIONS. UNIT NOTES IN INCHES (mm). REFERENCE ROSEMOUNT PRODUCT SPECIFICATIONS. CLICK HERE | | 3RD ANGLE | SIZE D | SCALE NTS | |
| | TITLE ROSEMOUNT 4088 IN-LINE TYPE I DRAWING | | | | |
| | DR. J.ARMSTRONG | 9/28/17 | DRAWING NO. | 04088-6001 | |
| | APP'D MB | 12/16/13 | SHEET 3 OF 6 | | |

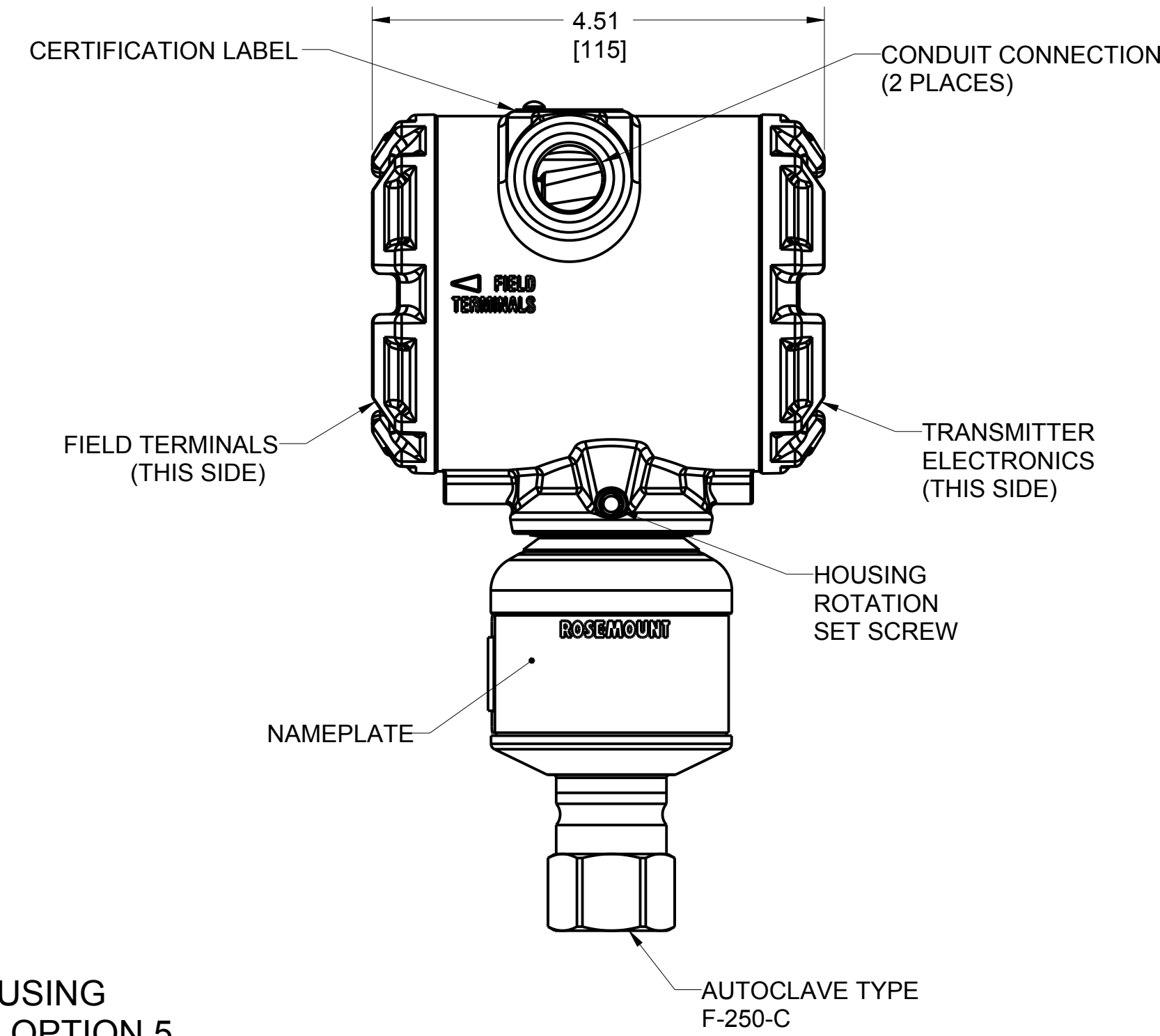
ROSEMOUNT 4088 IN-LINE PRESSURE TRANSMITTER
 AUTOCLAVE TYPE F-250-C COMPATIBLE PROCESS CONNECTION

STAINLESS STEEL PROCESS WETTED

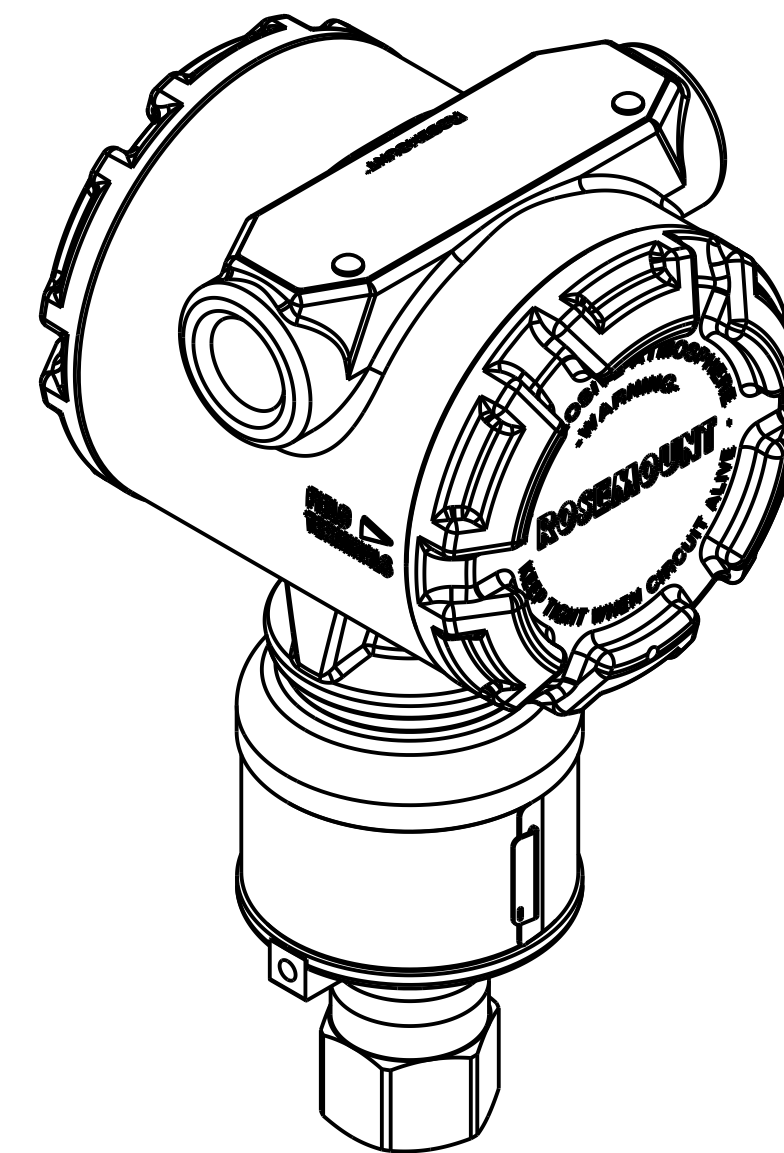
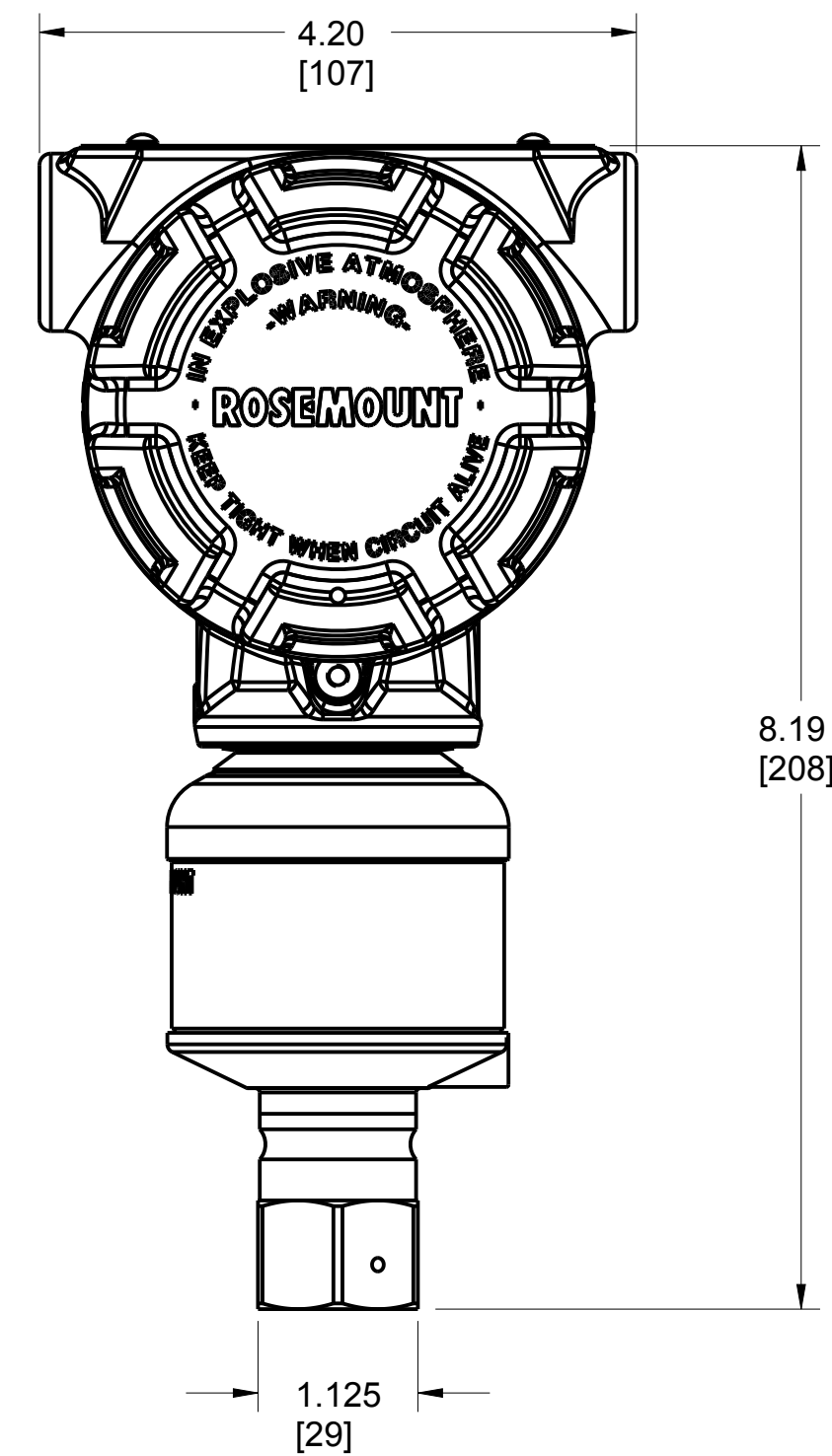
PLANTWEB HOUSING
 SHOWN WITH OPTIONAL DIGITAL DISPLAY



PLANTWEB HOUSING

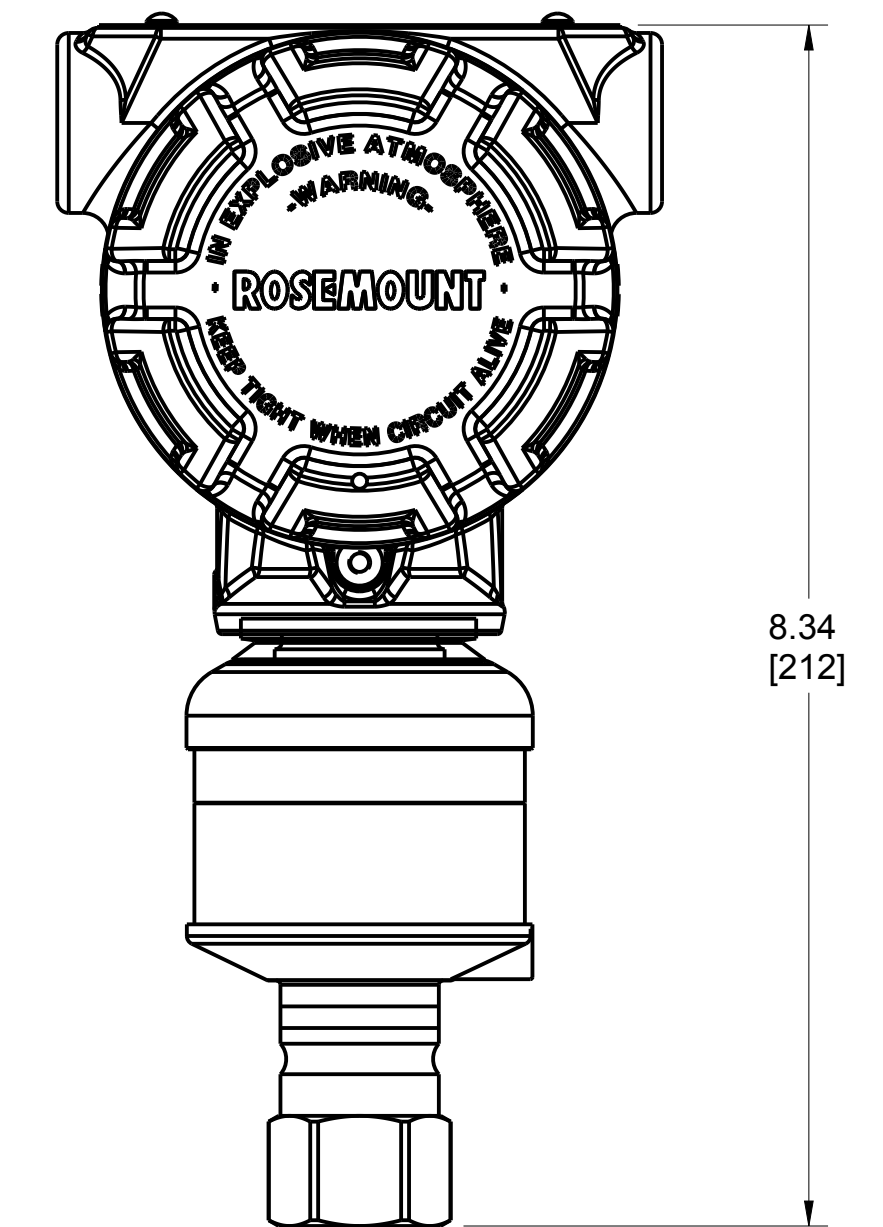


PLANTWEB HOUSING
 PRESSURE RANGE OPTION 5



ALLOY C-276 PROCESS WETTED
 PLANTWEB HOUSING

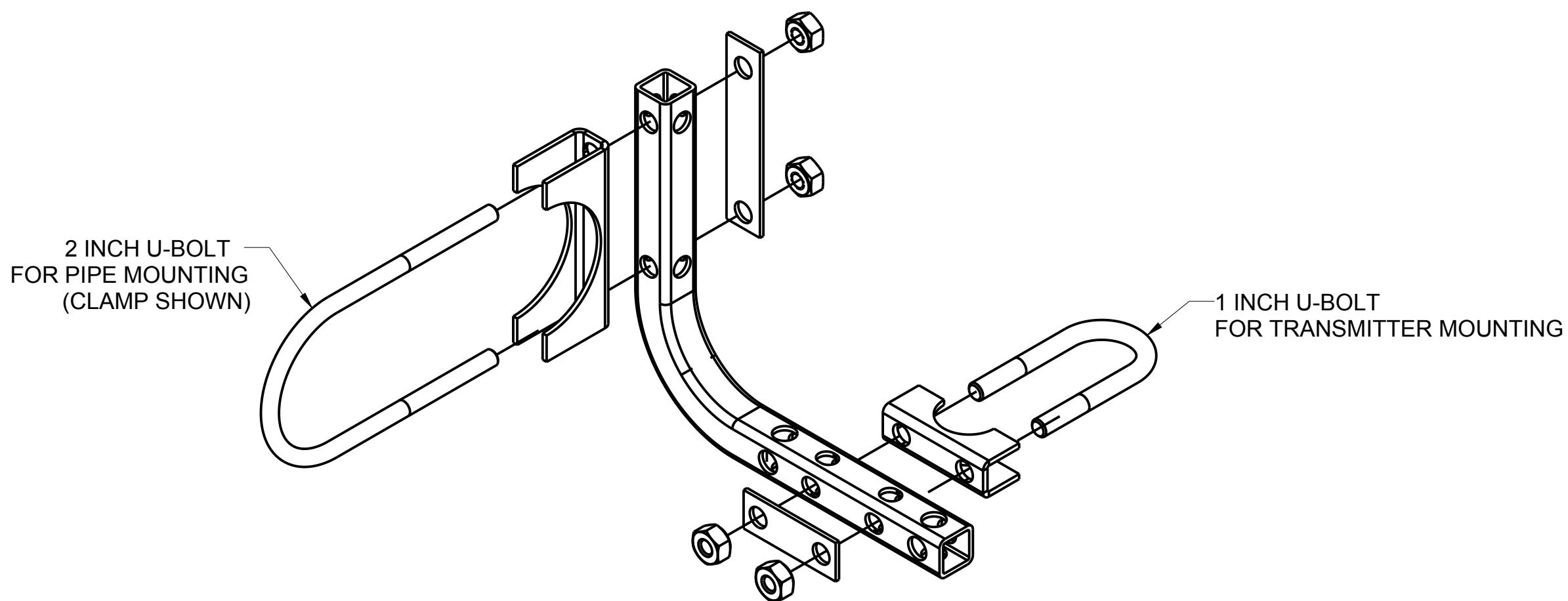
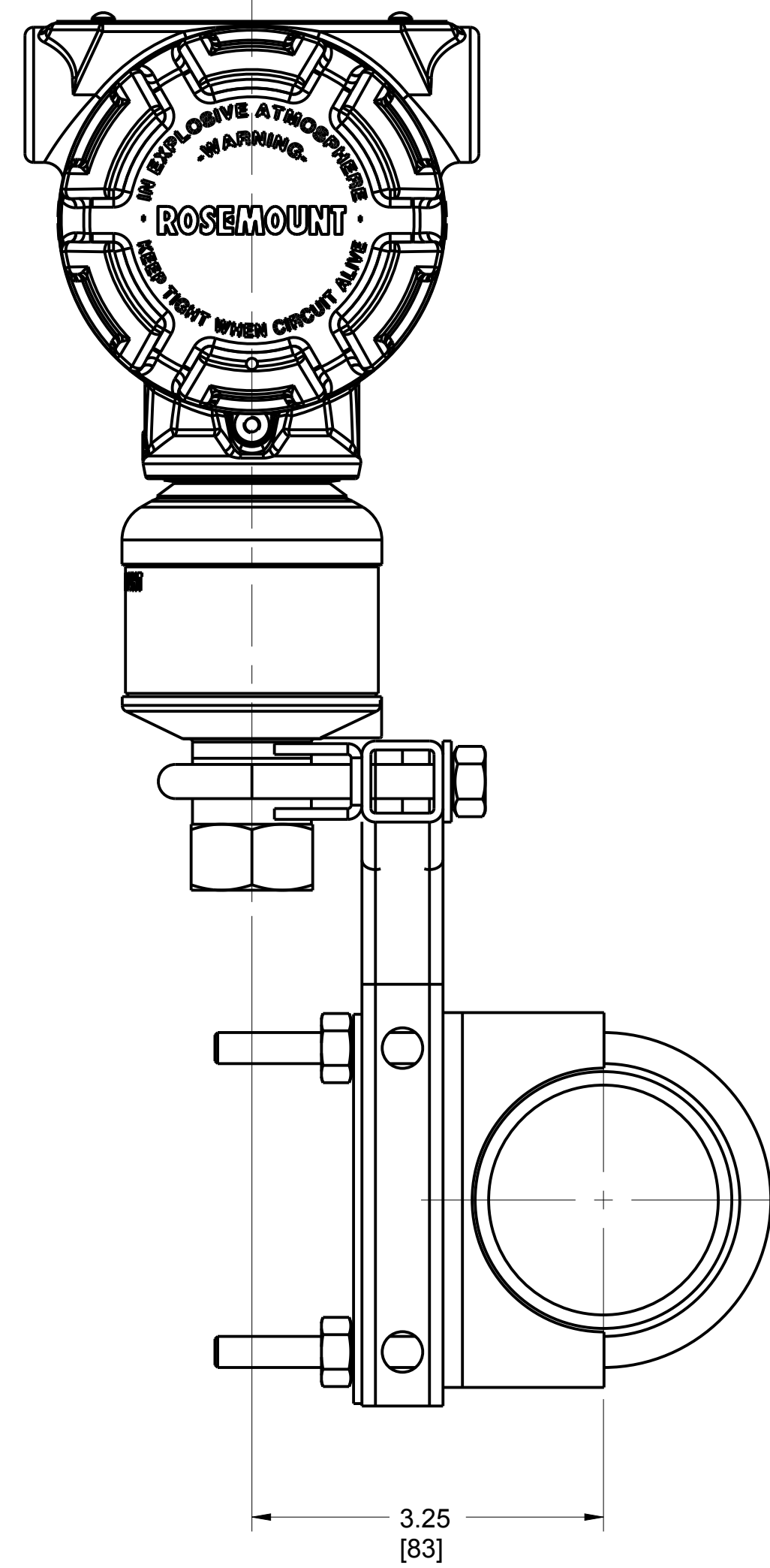
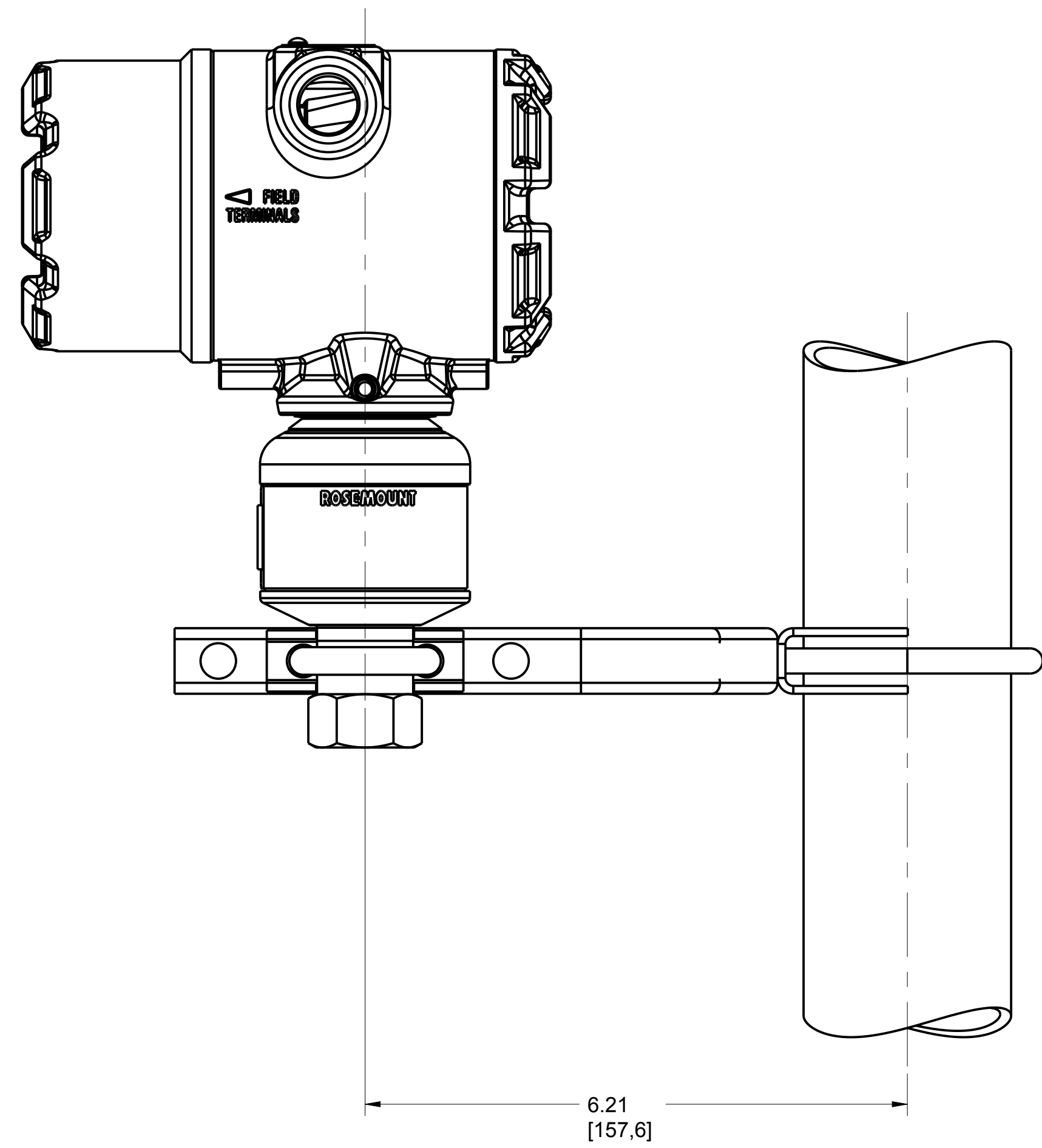
PRESSURE RANGE OPTION 5



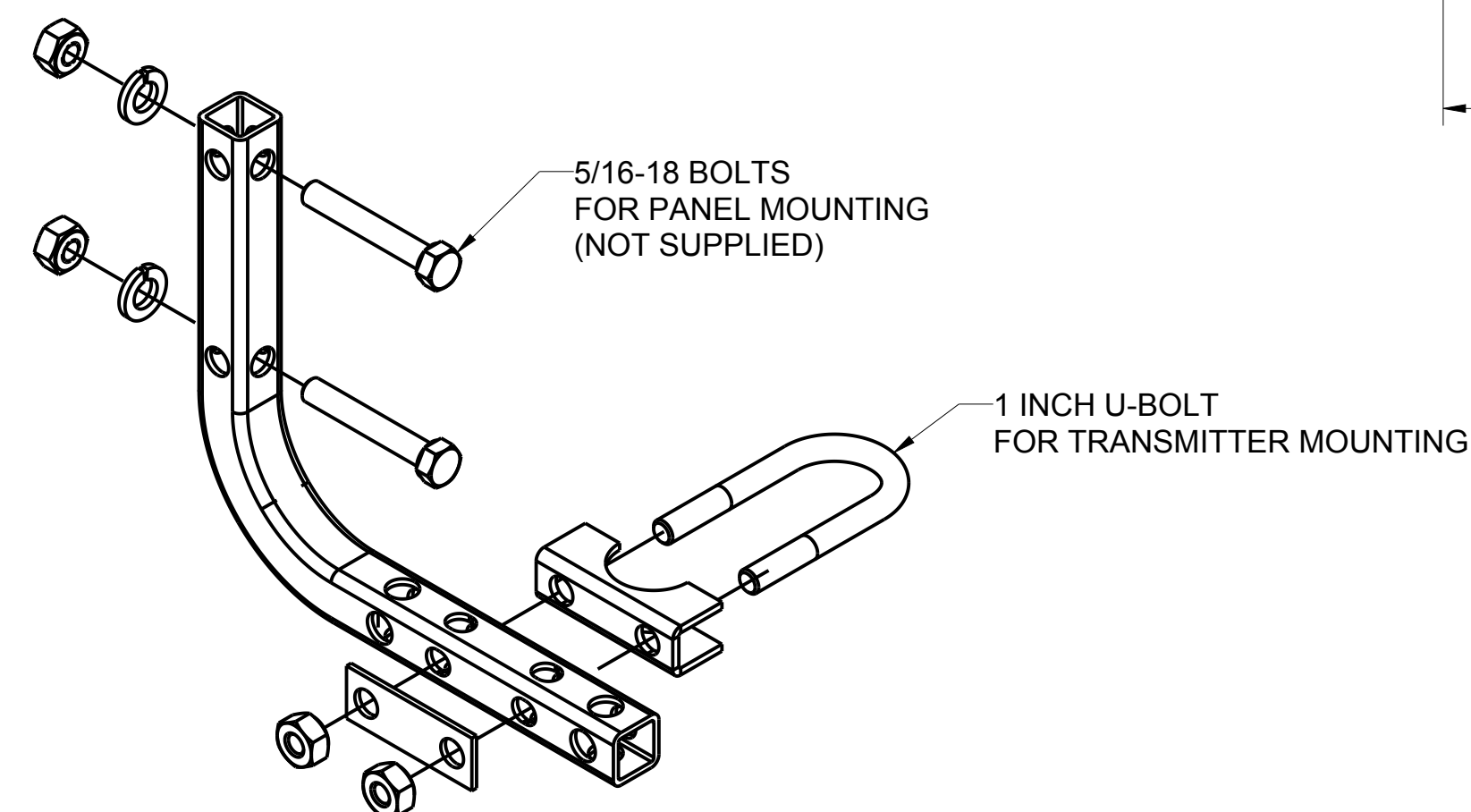
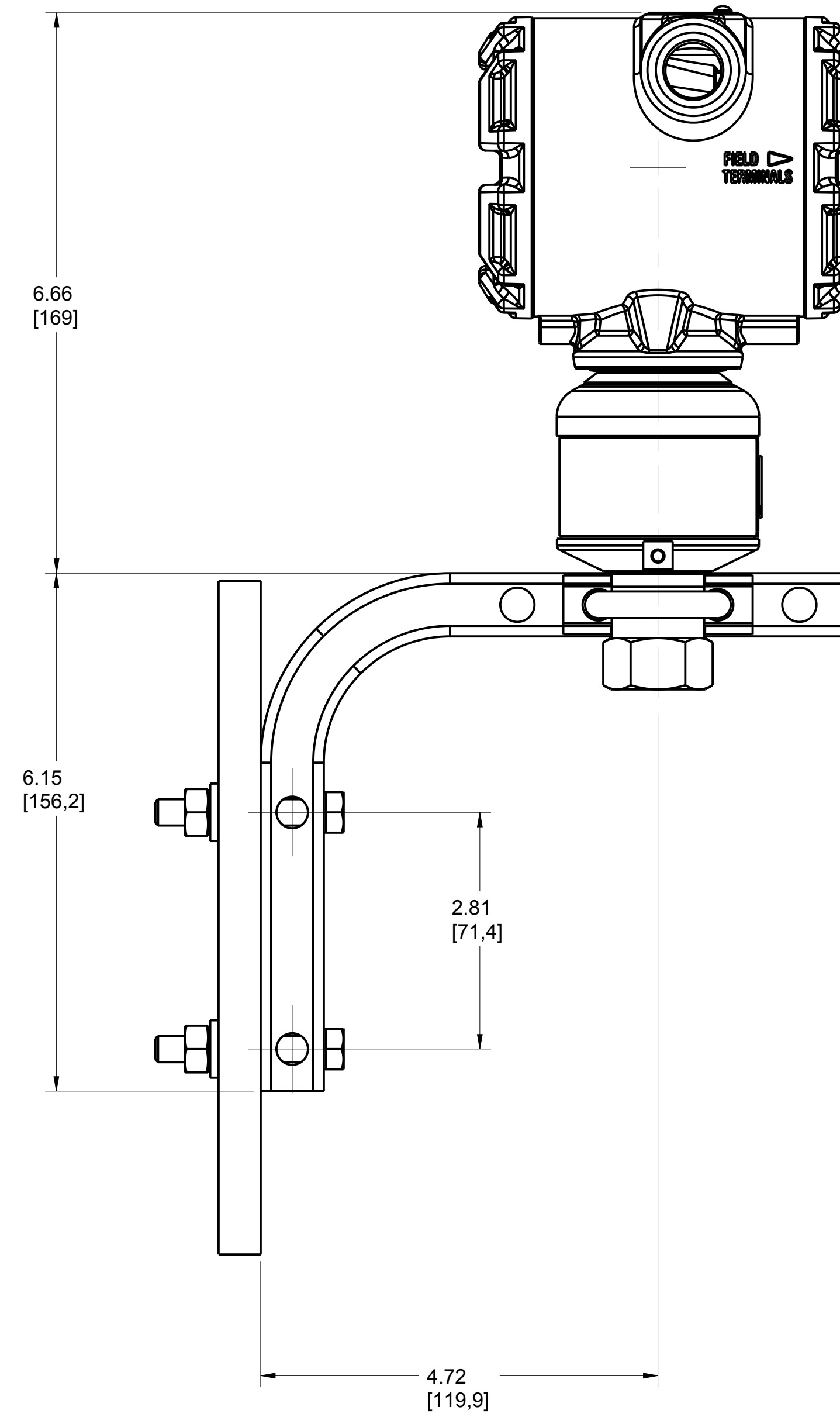
| | | | |
|---|---|---------------------|---------------------------|
| ©2015 ROSEMOUNT INC. ROSEMOUNT INC. CERTIFIES THIS DRAWING AS BEING IN ACCORDANCE WITH ROSEMOUNT ENGINEERING SPECIFICATIONS. UNIT NOTES IN INCHES (mm). REFERENCE ROSEMOUNT PRODUCT SPECIFICATIONS. CLICK HERE | 3RD ANGLE | SIZE D | SCALE NTS |
| | | | |
| | TITLE ROSEMOUNT 4088 IN-LINE TYPE I DRAWING | | |
| | DR. J.ARMSTRONG APPD MB | 9/28/17 12/16/13 | DRAWING NO. 04088-6001 |

ROSEMOUNT 4088 IN-LINE PRESSURE TRANSMITTER
 IN-LINE MOUNTING CONFIGURATIONS WITH OPTIONAL MOUNTING BRACKET

PIPE MOUNTING



PANEL MOUNTING



©2015 ROSEMOUNT INC.
 ROSEMOUNT INC. CERTIFIES
 THIS DRAWING IS IN
 ACCORDANCE WITH
 ROSEMOUNT ENGINEERING
 SPECIFICATIONS.
 UNIT NOTES IN INCHES (mm).

EMERSON

TITLE
 ROSEMOUNT 4088 IN-LINE
 TYPE I DRAWING

DR. J.ARMSTRONG 9/28/17 DRAWING NO. 04088-6001

APPD MB 12/16/13

CAD MAINTAINED, (PROE)

3RD ANGLE

SIZE D

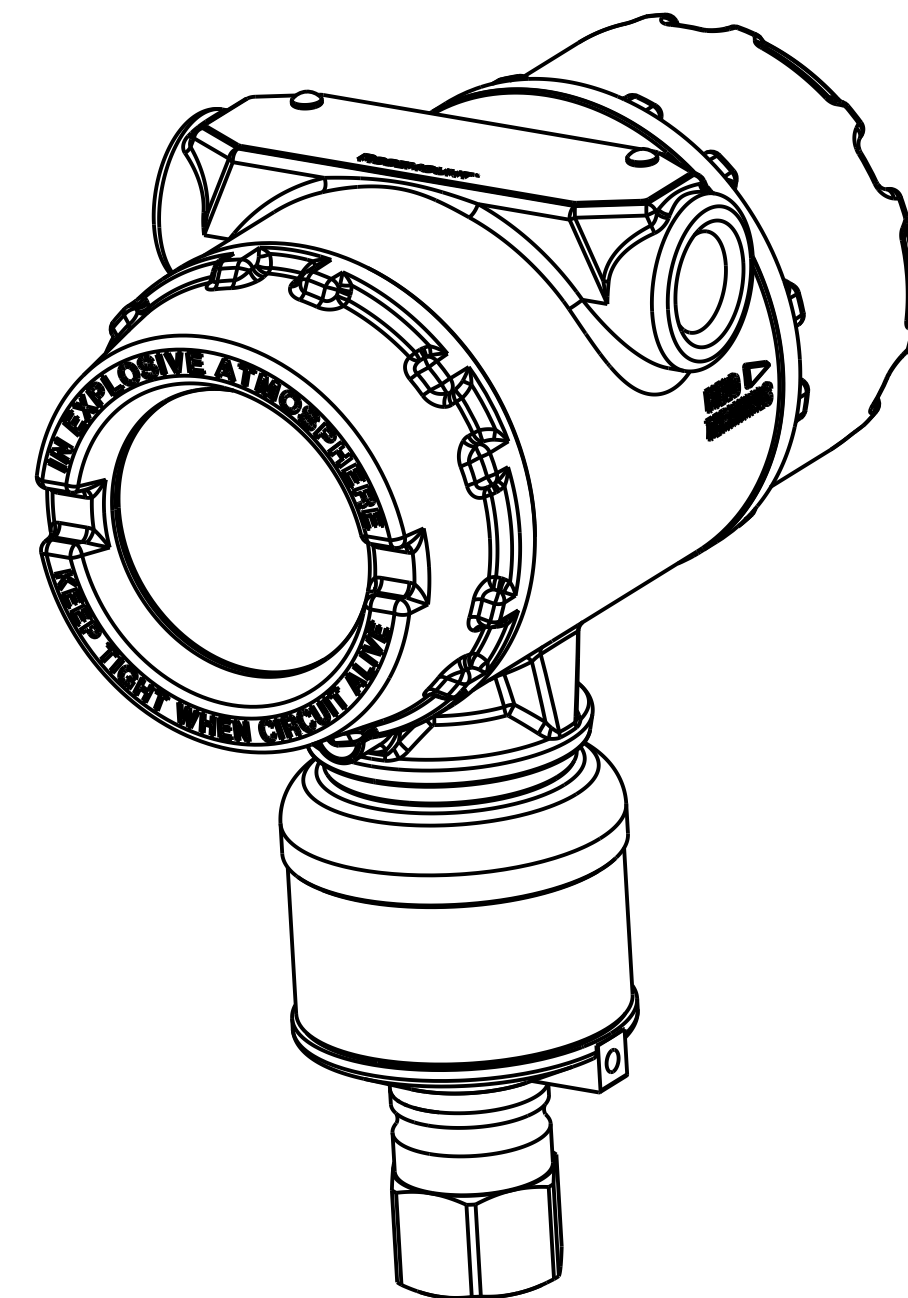
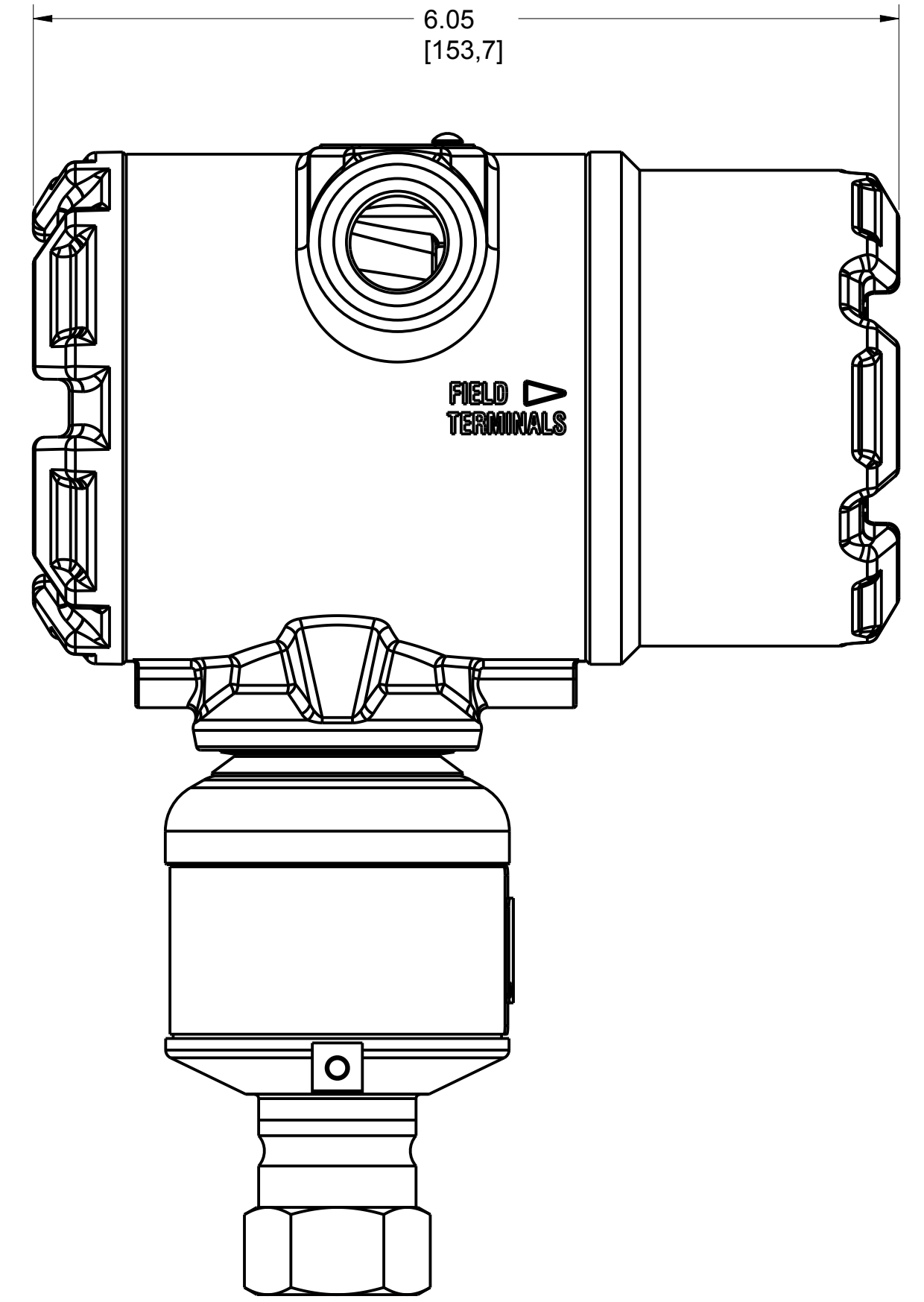
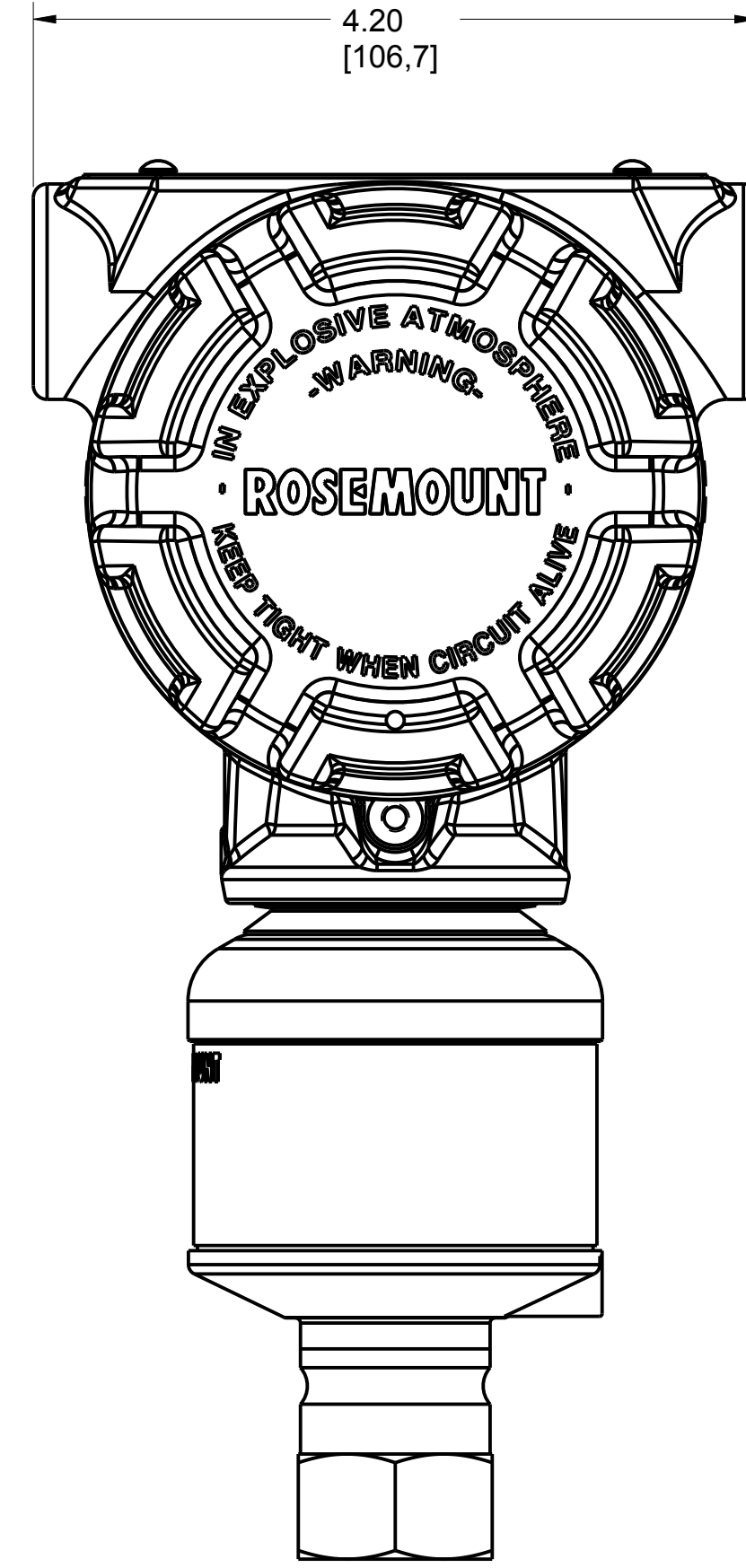
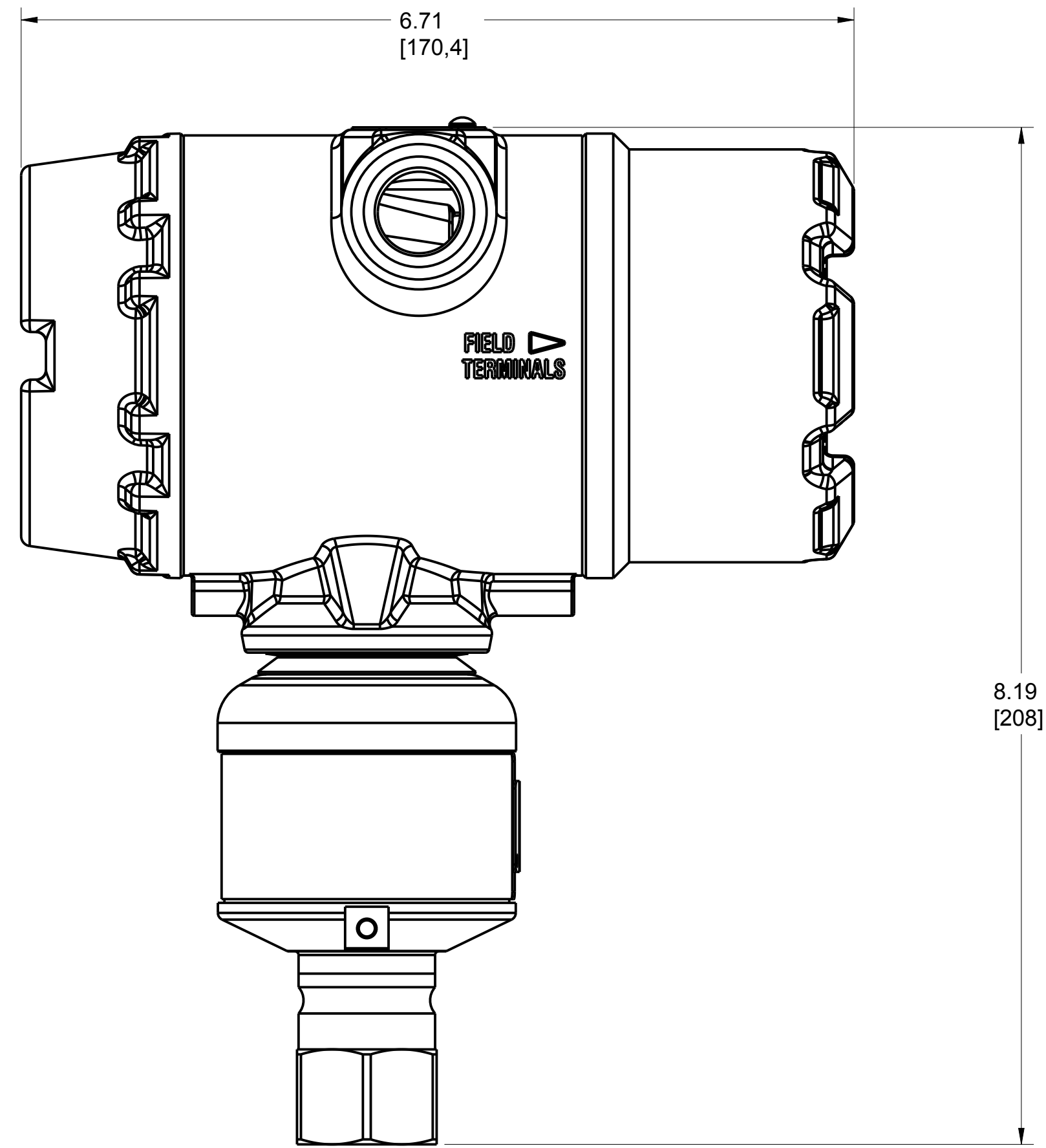
SCALE NTS

CLICK HERE

REFERENCE ROSEMOUNT
 PRODUCT SPECIFICATIONS.

SHEET 5 OF 6

ROSEMOUNT 4088 IN-LINE PRESSURE TRANSMITTER
WITH EXTENDED COVER



| | | | |
|---|--|---------------------|----------------------------------|
| ©2015 ROSEMOUNT INC. ROSEMOUNT INC. CERTIFIES THIS DRAWING TO THE REQUIREMENTS OF THE ACCORDANCE WITH ROSEMOUNT ENGINEERING SPECIFICATIONS. UNIT NOTES IN INCHES (mm). REFERENCE ROSEMOUNT PRODUCT SPECIFICATIONS. CLICK HERE | 3RD ANGLE | SIZE D | SCALE NTS |
| | | | |
| | TITLE ROSEMOUNT 4088 IN-LINE TYPE I DRAWING | | |
| | DR. JARMSTRONG APPD MB | 9/28/17 12/16/13 | DRAWING NO. 04088-6001 |