

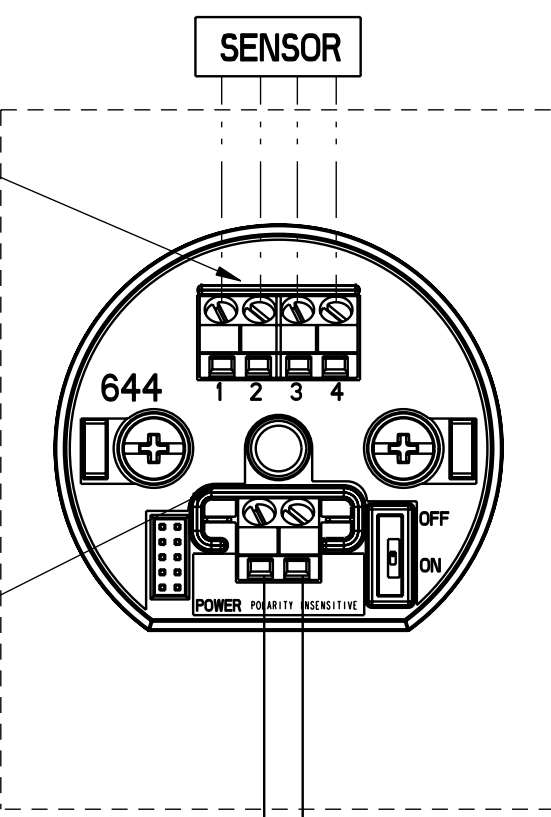
REVISION TABLE			
REVISION	ECO NO.	APP'D	DATE
AE	RTC1076589	K.W.	01/28/21
DESCRIPTION			
CORRECT UNITS FROM "UF" TO "NF" FOR PARAMETER CALLED OUT ON PAGE 2 & 6.			

FOR INSTALLATION IN CANADA

CSA CERTIFIED PRODUCT
NO MODIFICATION PERMITTED WITHOUT THE APPROVAL OF RTC TEMPERATURE DESIGN ENGINEERING

SENSOR TERMINAL OUTPUT PARAMETER LIMITS
 $V_{oc} = 13.9 \text{ Vdc}$
 $I_{sc} = 23.0 \text{ mAdc}$
 $C_a = 0.737 \text{ uF}$
 $L_a = 65 \text{ mH}$

POWER / LOOP TERMINAL INPUT PARAMETER LIMITS
 $V_{max} = 30 \text{ Vdc}$
 $I_{max} = 300 \text{ mAdc}$
 $C_i = 2.2 \text{ nF}$
 $L_i = 0$



CSA APPROVED
FIELDBUS DEVICE "n"

CSA APPROVED
FIELDBUS DEVICE 2

CSA APPROVED
ASSOCIATED
APPARATUS

HAZARDOUS AREA

NON-HAZARDOUS AREA

INTRINSICALLY SAFE FOR CLASS I, DIVISION 1, GROUPS A, B, C, D

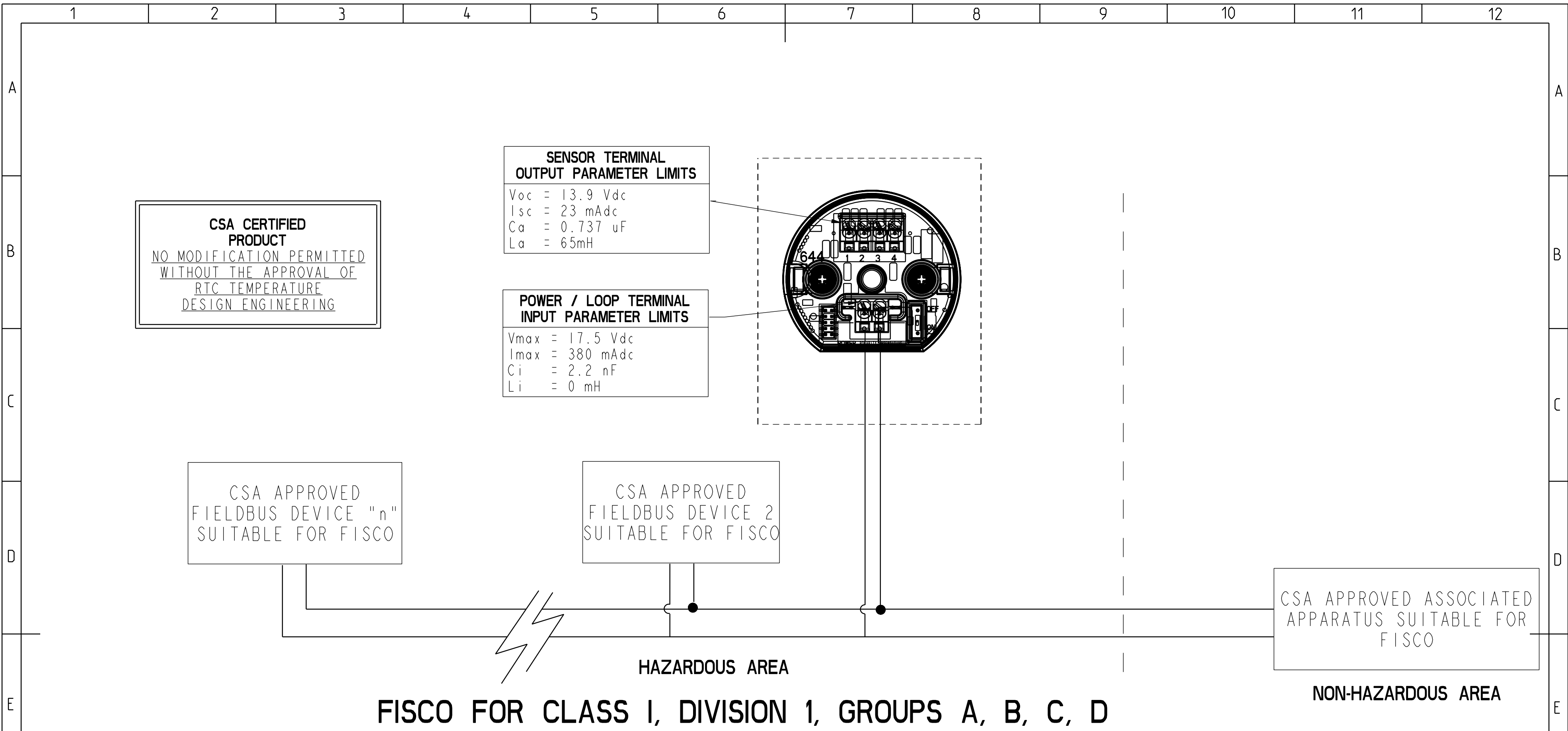
NOTES:

- 1.1 NO REVISION TO DRAWING WITHOUT PRIOR CSA APPROVAL.
- 1.2 ONLY APPROVED EQUIPMENT OR EQUIPMENT CLASSIFIED AS SIMPLE APPARATUS, SUCH AS THERMOCOUPLES AND RTD'S, MAYBE CONNECTED TO SENSOR TERMINALS.
- 1.3 WARNING - TO PREVENT IGNITION OF FLAMMABLE OR COMBUSTIBLE ATMOSPHERES, DISCONNECT POWER BEFORE SERVICING.
- 1.4 AMBIENT TEMPERATURE LIMITS:
 I.S.: T4 (-50°C ≤ T_a ≤ 60°C)
 CLASS I, DIVISION 2: T4 (-50°C ≤ T_a ≤ 60°C); T5 (-50°C ≤ T_a ≤ 85°C)
- 1.5 ASSOCIATED APPARATUS MANUFACTURER'S INSTALLATION DRAWING MUST BE FOLLOWED WHEN INSTALLING THIS EQUIPMENT.
- 1.6 THE ENTITY CONCEPT ALLOWS INTERCONNECTION OF INTRINSICALLY SAFE APPARATUS WITH ASSOCIATED APPARATUS WHEN THE FOLLOWING IS TRUE:

I.S. APPARATUS (FIELD DEVICE INPUT)	ASSOCIATED APPARATUS OUTPUT
V_{max}	V_{oc}
I_{max}	I_{sc}
C_i (SUM ALL DEVICES) + C_{cable}	C_a
L_i (SUM ALL DEVICES) + L_{cable}	L_a
- 1.7 CONTROL EQUIPMENT CONNECTED TO BARRIER MUST NOT USE OR GENERATE MORE THAN 250 V_{rms} OR V_{dc}.
- 1.8 INSTALLATION SHOULD BE IN ACCORDANCE WITH ANSI/ISA-RP12.6 "INSTALLATION OF INTRINSICALLY SAFE SYSTEMS FOR HAZARDOUS (CLASSIFIED) LOCATIONS" AND THE CANADIAN ELECTRICAL CODE.
- 1.9 TOTAL CAPACITANCE AND INDUCTANCE APPLIED TO ALL SENSOR TERMINALS COMBINED MAY NOT EXCEED A TOTAL OF C_a OR L_a RESPECTIVELY.
- 1.10 WARNING - SUBSTITUTION OF COMPONENTS MAY IMPAIR INTRINSIC SAFETY OR SUITABILITY FOR DIVISION 2.
- 1.11 ENCLOSURE OPTION J5, J6, J7 OR J8 MUST BE USED FOR CLASS I, DIVISION 2 INSTALLATION.

CONFIDENTIAL AND PROPRIETARY INFORMATION IS CONTAINED HEREIN AND MUST BE HANDLED ACCORDINGLY.	SURFACE FINISH UNLESS OTHERWISE SPECIFIED	125/	3RD ANGLE		SIZE C	SCALE 3:4	REV AE
UNLESS OTHERWISE SPECIFIED DIMENSIONS IN INCHES (mm). REMOVE ALL BURRS AND SHARP EDGES.	ROSEMOUNT EMERSON 8200 Market Boulevard, Chanhassen, MN 55317 USA						
-DEC TOLERANCES-		TITLE INSTALLATION 644H FIELDBUS CSA I.S. No Description in CAD					
.x ± .1 [2.5]	.xx ± .02 [0.5]	DR. NGA DOAN 1/15/03		DRAWING NO. 00644-2076			
.xxx ± .010 [0.25]	FRACTIONS ± 1/32	APP'D N. HOFFMANN 1/21/03					
ANGLES ± 2°		DO NOT SCALE PRINT		CAD MAINTAINED. (PRO/E)	PRODUCT CODE	DOC TYPE	SHEET 1 OF 6

DRAWING NO. 00644-2076



SENSOR TERMINAL OUTPUT PARAMETER LIMITS
 $V_{oc} = 13.9 \text{ Vdc}$
 $I_{sc} = 23 \text{ mAdc}$
 $C_a = 0.737 \text{ uF}$
 $L_a = 65\text{mH}$

POWER / LOOP TERMINAL INPUT PARAMETER LIMITS
 $V_{max} = 17.5 \text{ Vdc}$
 $I_{max} = 380 \text{ mAdc}$
 $C_i = 2.2 \text{ nF}$
 $L_i = 0 \text{ mH}$

CSA CERTIFIED PRODUCT
 NO MODIFICATION PERMITTED WITHOUT THE APPROVAL OF RTC TEMPERATURE DESIGN ENGINEERING

CSA APPROVED FIELDBUS DEVICE "n" SUITABLE FOR FISCO

CSA APPROVED FIELDBUS DEVICE 2 SUITABLE FOR FISCO

CSA APPROVED ASSOCIATED APPARATUS SUITABLE FOR FISCO

FISCO FOR CLASS 1, DIVISION 1, GROUPS A, B, C, D

NOTES:

- 2.1 FISCO IS A SUBSET OF STANDARD INTRINSICALLY SAFE INSTALLATION (SEE PAGE 1) EXCEPT AS SPECIFICALLY NOTED HERE.
- 2.2 AMBIENT TEMPERATURE LIMITS: $T_4 (-50^\circ\text{C} \leq T_a \leq 60^\circ\text{C})$.

WHAT IS FISCO?

FIELDBUS INTRINSICALLY SAFE CONCEPT IS A PARTICULAR, YET SUFFICIENTLY FLEXIBLE, AGREED UPON INSTALLATION CONFIGURATION. THIS ALLOWS FOR A CONTROLLED DISTRIBUTION OF THE ELECTRICAL CHARACTERISTICS AROUND THE SEGMENT.

WHAT ARE THE BENEFITS TO INSTALLING WITHIN THE BOUNDS OF THIS CONFIGURATION?

- A. MORE DEVICES ARE ALLOWED ON THE FIELDBUS SINCE MORE POWER CAN BE APPLIED.
- B. THE R, L, AND C CHARACTERISTICS OF THE FIELDBUS CABLE NEED NOT BE CALCULATED.

WIRING CONFIGURATION:

- LENGTH
 - TRUNK CABLE $\leq 1000 \text{ m}$
 - SPUR CABLE $\leq 30 \text{ m}$
 - SPLICE $\leq 1 \text{ m}$
- CABLE PROPERTIES:
 - LOOP RESISTANCE, R 15 TO 150 Ω/Km
 - INDUCTANCE, L 0.4 TO 1 mH/Km
 - CAPACITANCE, C 80 TO 200 nF/Km
- C = C LINE-TO-LINE + 1/2 C LINE-TO SHIELD (FOR BOTH LINES FLOATING WITH RESPECT TO SHIELD)
- C = C LINE-TO-LINE + C LINE-TO-SHIELD (FOR ONE LINE TIED TO SHIELD)

APPARATUS CRITERIA:

- 2.3 $C_i \leq 5 \text{ nF}$ AND $L_i \leq 10 \text{ uH}$ FOR EACH APPARATUS, OTHER THAN THE TERMINATOR, CONNECTED TO THE FIELDBUS.
- 2.4 $R = 90 \text{ TO } 100 \Omega$, AND $C = 0 \text{ TO } 2.2 \text{ uF}$ FOR THE LINE TERMINATION. THIS TERMINATION MAYBE INTEGRATED INTO AN APPARATUS.
- 2.5 EACH APPARATUS, OTHER THAN THE ASSOCIATED APPARATUS, MUST BE PASSIVE. (NOT ALLOWED TO PROVIDE ENERGY TO THE SYSTEM.)
- 2.6 INTERCONNECTION IS ALLOWED WHEN THE FOLLOWING IS TRUE:

I.S. APPARATUS (FIELD DEVICE) INPUT		ASSOCIATED APPARATUS OUTPUT
V_{max}	\geq	V_{oc}
I_{max}	\geq	I_{sc}

CONFIDENTIAL AND PROPRIETARY INFORMATION IS CONTAINED HEREIN AND MUST BE HANDLED ACCORDINGLY.	SURFACE FINISH UNLESS OTHERWISE SPECIFIED 125/3RD ANGLE	SIZE C	SCALE 3:4	REV AE
UNLESS OTHERWISE SPECIFIED DIMENSIONS IN INCHES (mm). REMOVE ALL BURRS AND SHARP EDGES.	EMERSON 8200 Market Boulevard, Chanhassen, MN 55317 USA			
-DEC TOLERANCES-		TITLE INSTALLATION 644H FIELDBUS CSA I.S.		
.x $\pm .1$ [2.5]	No Description in CAD			
.xx $\pm .02$ [0.5]	DR. NGA DOAN 1/15/03 DRAWING NO. 00644-2076			
.xxx $\pm .010$ [0.25]	APP'D N. HOFFMANN 1/21/03			
FRACTIONS $\pm 1/32$	ANGLES $\pm 2^\circ$	DO NOT SCALE PRINT CAD MAINTAINED. (PRO/E) PRODUCT CODE DOC TYPE SHEET 2 OF 6		

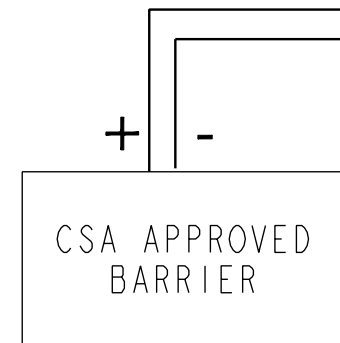
DRAWING NO. 00644-2076

CSA INTRINSIC SAFETY APPROVAL CONFIGURATION 644H FIELDBUS / PROFIBUS CIRCUIT CONNECTION WITH CSA APPROVED BARRIER

Exia PARAMETRIC INSTALLATION

NON-HAZARDOUS AREA

HAZARDOUS AREA



INTRINSICALLY SAFE OUTPUT PARAMETERS
CLASS 1, DIVISION 1

GROUPS A,B,C, AND D

T4 (-50° ≤ Ta ≤ 60°C)

30V OR LESS, 330Ω OR MORE	136
28V OR LESS, 250Ω OR MORE	168
25V OR LESS, 200Ω OR MORE	188
22V OR LESS, 130Ω OR MORE	254

GROUPS C AND D

T4 (-50° ≤ Ta ≤ 80°C)

30V OR LESS, 230Ω OR MORE	196
28V OR LESS, 200Ω OR MORE	210
25V OR LESS, 160Ω OR MORE	234

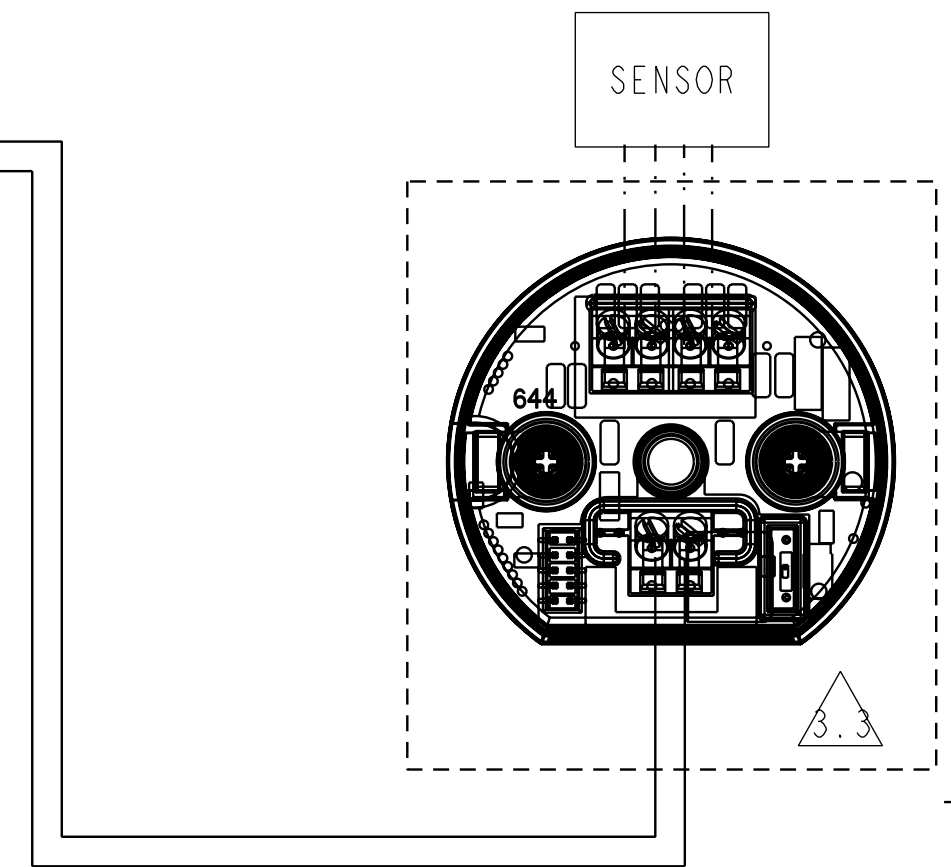
WARNING: SUBSTITUTION OF COMPONENTS MAY IMPAIR INTRINSIC SAFETY.
AVERTISSEMENT: La Substitution de composants peut compromettre la securite intrinseque.

UNIVERSAL HEAD ENCLOSURE OPTIONS:

- J5
- J6

TRANSMITTER MODEL NUMBERS:

644HF



NOTES:

- 3.1 (VOLTS/Ω) X 1.5, (REPRESENTS 1.5 F.O.S. (CURRENT) REFERENCED TO FIGURE 3 OF C22.2 NO. 157-92.
- 3.2 POWER LIMITED TO ≤ 1.3 WATTS TO ENSURE 2/3 RATING OF PROTECTION COMPONENTS.
- 3.3 THE 644H FIELDBUS MUST BE INSTALLED IN A SUITABLE ENCLOSURE TO MEET INSTALLATION CODES STIPULATED IN THE CANADIAN ELECTRICAL CODE (CEC).
- 3.4 SENSOR MUST BE CSA APPROVED OR SIMPLE APPARATUS DEVICE.

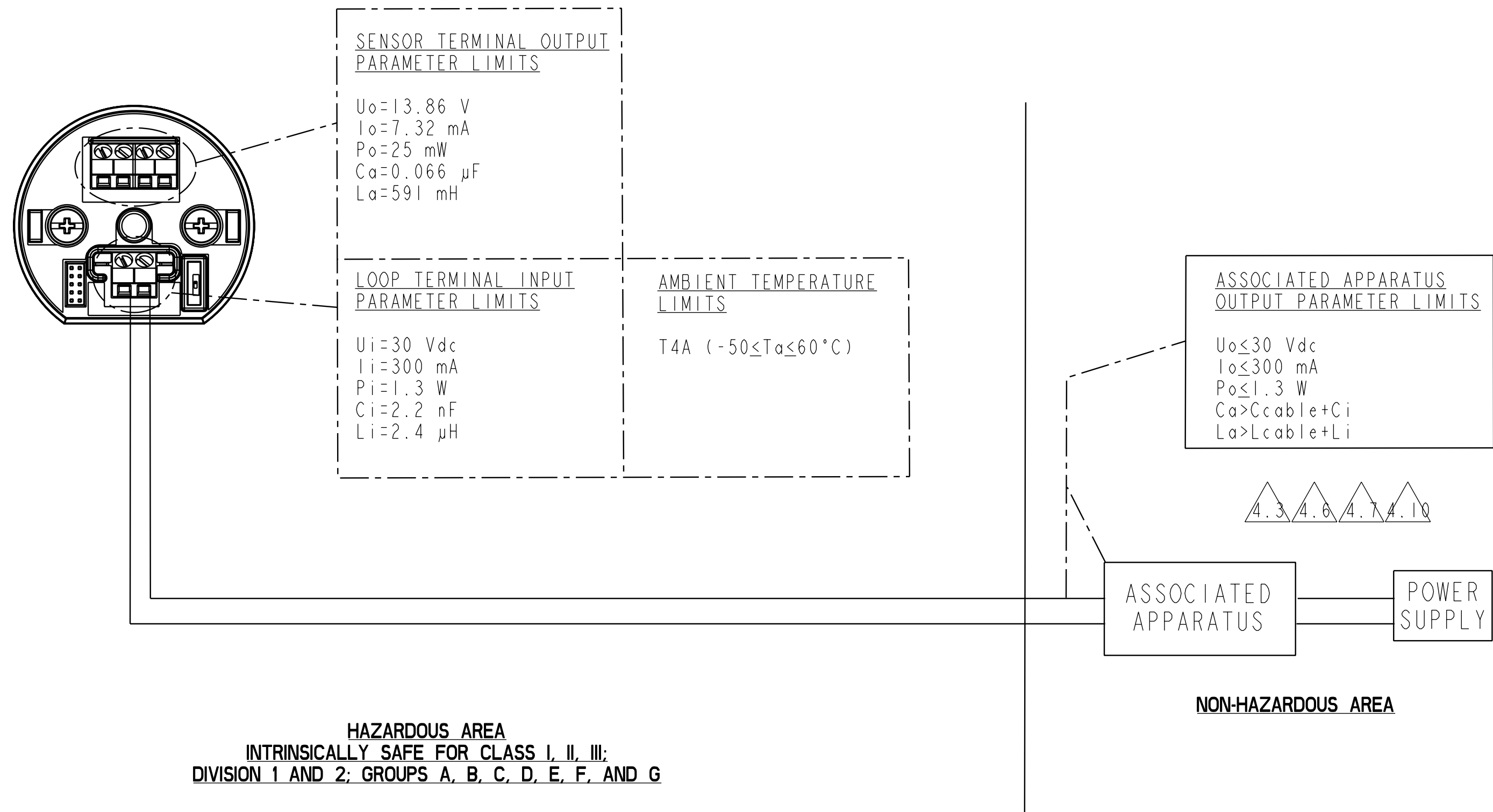
DRAWING NO. 00644-2076

CONFIDENTIAL AND PROPRIETARY INFORMATION IS CONTAINED HEREIN AND MUST BE HANDLED ACCORDINGLY.		SURFACE FINISH UNLESS OTHERWISE SPECIFIED		125/	3RD ANGLE	SIZE C	SCALE 1:1	REV AE
UNLESS OTHERWISE SPECIFIED DIMENSIONS IN INCHES (mm). REMOVE ALL BURRS AND SHARP EDGES.		EMERSON ROSEMOUNT 8200 Market Boulevard, Chanhassen, MN 55317 USA						
-DEC TOLERANCES-		TITLE INSTALLATION 644H FIELDBUS CSA I.S. No Description in CAD						
.x ± .1 [2.5]	.xx ± .02 [0.5]	DR. NGA DOAN		1/15/03	DRAWING NO. 00644-2076			
.xxx ± .010 [0.25]	FRACTIONS ± 1/32	APP'D N. HOFFMANN		1/21/03				
ANGLES ± 2°		DO NOT SCALE PRINT		CAD MAINTAINED. (PRO/ε)	PRODUCT CODE	DOC TYPE	SHEET 3 OF 6	

ROSEMOUNT 644 FIELDBUS AND PROFIBUS TRANSMITTERS ARE CSA APPROVED AS INTRINSICALLY SAFE WHEN USED IN CIRCUIT WITH AN APPROVED ASSOCIATED APPARATUS WHICH MEETS THE ENTITY PARAMETERS LISTED IN CLASS I, II, III; DIVISION 1 AND 2; AND GROUPS A, B, C, D, E, F AND G.

TO ASSURE AN INTRINSICALLY SAFE SYSTEM, THE TRANSMITTER AND ASSOCIATED APPARATUS MUST BE WIRED IN ACCORDANCE WITH THE ASSOCIATED APPARATUS MANUFACTURER'S FIELD WIRING INSTRUCTIONS AND THE CIRCUIT DIAGRAM SHOWN BELOW.

FOR INSTALLATION IN THE UNITED STATES



4.1 ONLY APPROVED EQUIPMENT OR EQUIPMENT CLASSIFIED AS SIMPLE APPARATUS, SUCH AS THERMOCOUPLES AND RTD'S MAY BE CONNECTED TO SENSOR TERMINALS.

4.2 NO REVISION TO DRAWING WITHOUT PRIOR CSA APPROVAL.

4.3 ASSOCIATED APPARATUS MANUFACTURER'S INSTALLATION DRAWING MUST BE FOLLOWED WHEN INSTALLING THIS EQUIPMENT.

4.4 THE ENTITY CONCEPT ALLOWS INTERCONNECTION OF INTRINSICALLY SAFE APPARATUS WHEN THE FOLLOWING IS TRUE:

V_{max} or $U_i \geq V_{\text{oc}}$, V_t or U_o ;
 I_{max} or $I_i \geq I_{\text{sc}}$, I_t or I_o ;
 P_{max} or $P_i \geq P_o$;
 $C_a > C_i + C_{\text{cable}}$;
 $L_a \geq L_i + L_{\text{cable}}$.

4.5 DUST-TIGHT CONDUIT SEAL MUST BE USED WHEN INSTALLED IN CLASS II AND CLASS III ENVIRONMENTS.

4.6 CONTROL EQUIPMENT CONNECTED TO BARRIER MUST NOT USE OR GENERATE MORE THAN 250 Vrms or Vdc.

4.7 RESISTANCE BETWEEN INTRINSICALLY SAFE GROUND AND EARTH GROUND MUST BE LESS THAN 1 Ohm.

4.8 INSTALLATION SHOULD BE IN ACCORDANCE WITH ANSI/ISA-RP 12.06.01 "INSTALLATION OF INTRINSICALLY SAFE SYSTEM FOR HAZARDOUS (CLASSIFIED) LOCATIONS" AND THE NATIONAL ELECTRICAL CODE (ANSI/NFPA70).

4.9 MUST BE INSTALLED IN AN ENCLOSURE MEETING THE REQUIREMENTS OF THE NATIONAL ELECTRICAL CODE (ANSI/NFPA70) AND ANSI/ISA S82.01 AND S82.03.

4.10 THE ASSOCIATED APPARATUS MUST BE CSA APPROVED FOR INTRINSICALLY SAFE.

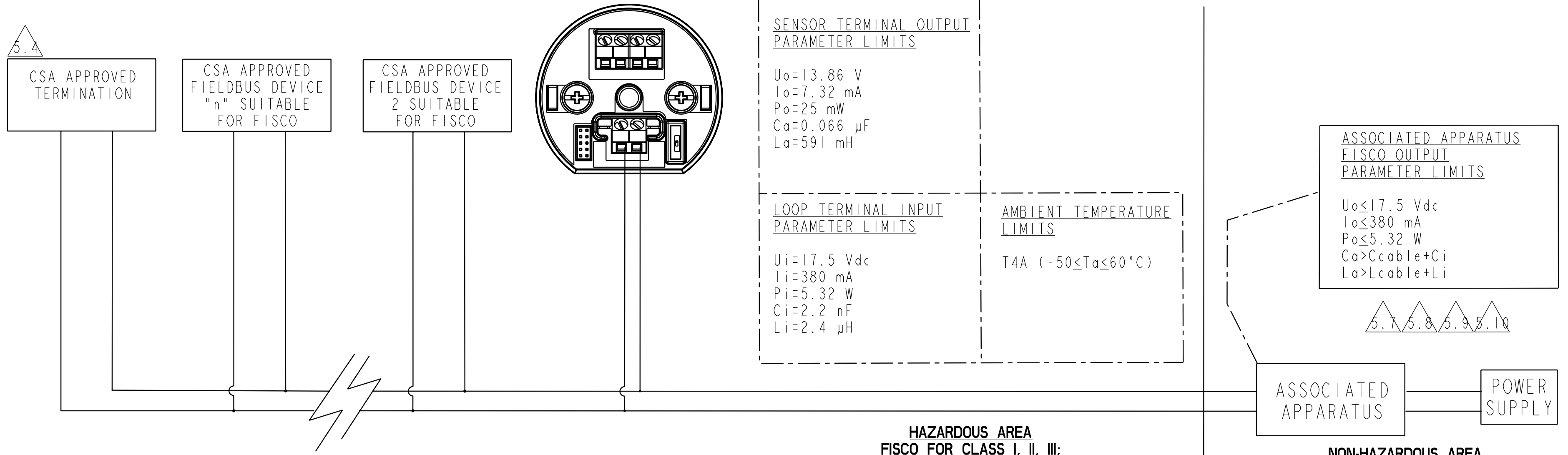
4.11 UNIVERSAL HEAD J5, J6, J7 OR J8.

CONFIDENTIAL AND PROPRIETARY INFORMATION IS CONTAINED HEREIN AND MUST BE HANDLED ACCORDINGLY.		SURFACE FINISH UNLESS OTHERWISE SPECIFIED		125/	3RD ANGLE		SIZE C	SCALE 3:4	REV AE
UNLESS OTHERWISE SPECIFIED DIMENSIONS IN INCHES (mm). REMOVE ALL BURRS AND SHARP EDGES.		ROSEMOUNT 8200 Market Boulevard, Chanhassen, MN 55317 USA							
-DEC TOLERANCES-		TITLE INSTALLATION 644H FIELDBUS CSA I.S.							
.x ± .1 (2.5)		No Description in CAD							
.xx ± .02 (0.5)		DR. NGA DOAN		1/15/03		DRAWING NO.		00644-2076	
.xxx ± .010 (0.25)		APP'D N. HOFFMANN		1/21/03					
FRACTIONS ± 1/32		ANGLES ± 2'		DO NOT SCALE PRINT		CAD MAINTAINED. (PRO/E)		PRODUCT CODE	
		DOC TYPE		SHEET 4 OF 6					

DRAWING NO. 00644-2076

ROSEMOUNT 644 FIELDBUS AND PROFIBUS TRANSMITTERS ARE CSA APPROVED AS FISCO WHEN USED IN CIRCUIT WITH AN APPROVED ASSOCIATED APPARATUS WHICH MEETS THE ENTITY PARAMETERS LISTED IN CLASS I, II, III; DIVISION 1 AND 2; AND GROUPS A, B, C, D, E, F AND G.

TO ASSURE A FISCO SYSTEM, THE TRANSMITTER AND ASSOCIATED APPARATUS MUST BE WIRED IN ACCORDANCE WITH THE ASSOCIATED APPARATUS MANUFACTURER'S FIELD WIRING INSTRUCTIONS AND THE CIRCUIT DIAGRAM SHOWN BELOW.



HAZARDOUS AREA
FISCO FOR CLASS I, II, III;
DIVISION 1 AND 2; GROUPS A, B, C, D, E, F, AND G

NON-HAZARDOUS AREA

- 5.1 FISCO IS A SUBSET OF STANDARD INTRINSICALLY SAFE INSTALLATION (SEE PAGE 1) EXCEPT AS SPECIFICALLY NOTED HERE.
- 5.2 THE CSA FISCO INSTALLATION IS ONLY VALID WITH MODEL OPTION CODES 15, OR K5

WHAT IS FISCO?

FIELDBUS INTRINSICALLY SAFE CONCEPT IS A PARTICULAR, YET SUFFICIENTLY FLEXIBLE, DISTRIBUTION OF THE ELECTRICAL CHARACTERISTICS AROUND THE SEGMENT.

WHAT ARE THE BENEFITS TO INSTALLING WITHIN THE BOUNDS OF THE CONFIGURATION?

- A. MORE DEVICES ARE ALLOWED ON THE FIELDBUS SINCE MORE POWER CAN BE APPLIED.
- B. THE R, L, AND C CHARACTERISTICS OF THE FIELDBUS CABLE NEED NOT BE CALCULATED.

WIRING CONFIGURATION:

LENGTH
 TRUNK CABLE ≤ 1000 m
 SPUR CABLE ≤ 30 m
 SPLICE ≤ 1 m
 CABLE PROPERTIES:
 LOOP RESISTANCE, R 15 TO 150 Ohms/Km
 INDUCTANCE, L 0.4 TO 1 mH/Km
 CAPACITANCE, C 80 TO 200 nF/Km
 C = C LINE TO LINE + 1/2 C LINE TO SHIELD
 (FOR BOTH LINES FLOATING WITH RESPECT TO SHIELD)
 C = C LINE TO LINE + C LINE TO SHIELD
 (FOR ONE LINE TIED TO SHIELD)

APPARATUS CRITERIA:

- 5.3 $C_i < 5 \text{ nF}$ AND $L_i < 10 \text{ µH}$ FOR EACH APPARATUS, OTHER THAN THE TERMINATOR, CONNECTED TO THE FIELDBUS.
- 5.4 $R = 90 \text{ TO } 100 \text{ Ohms}$ AND $C = 0 \text{ TO } 2.2 \text{ µF}$ FOR THE LINE TERMINATION. THIS TERMINATION MAY BE INTEGRATED INTO AN APPARATUS.
- 5.5 EACH APPARATUS OTHER THAN THE ASSOCIATED APPARATUS, MUST BE PASSIVE. (NOT ALLOWED TO PROVIDE ENERGY TO THE SYSTEM.)

5.6 INTERCONNECTION IS ALLOWED WHEN THE FOLLOWING IS TRUE:

I.S. APPARATUS (FIELD DEVICE) INPUT		ASSOCIATED APPARATUS OUTPUT
V_{max} or U_i	≥	V_{oc} , V_t , or U_o
I_{max} or I_i	≥	I_{sc} , I_t , or I_o
P_{max} or P_i	≥	P_o

- 5.7 ASSOCIATED APPARATUS MANUFACTURER'S INSTALLATION DRAWING MUST BE FOLLOWED WHEN INSTALLING THIS EQUIPMENT.
- 5.8 CONTROL EQUIPMENT CONNECTED TO FISCO BARRIER MUST NOT USE OR GENERATE MORE THAN 250 Vrms or Vdc.
- 5.9 RESISTANCE BETWEEN FISCO INTRINSICALLY SAFE GROUND AND EARTH GROUND MUST BE LESS THAN 1.0 Ohm.
- 5.10 THE ASSOCIATED APPARATUS MUST BE CSA APPROVED FOR FISCO.

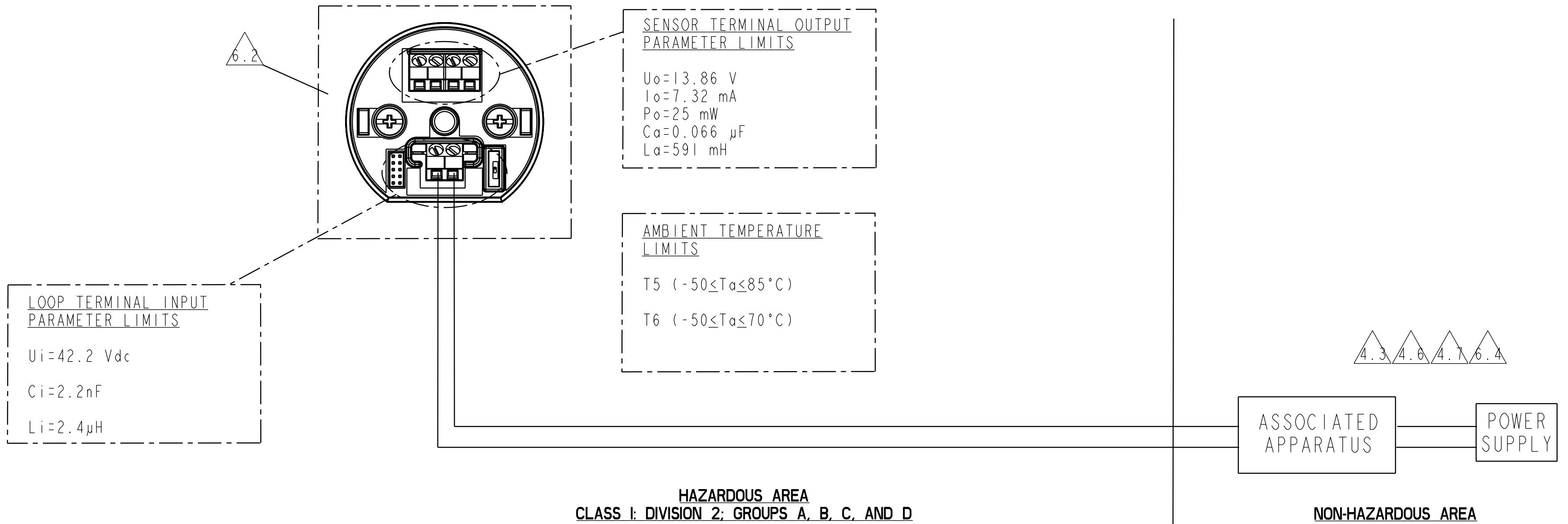
- 5.11 INSTALLATION SHOULD BE IN ACCORDANCE WITH ANSI/ISA-RP 12.06.01 "INSTALLATION OF INTRINSICALLY SAFE SYSTEMS FOR HAZARDOUS (CLASSIFIED) LOCATIONS" AND THE NATIONAL ELECTRICAL CODE (ANSI/NFPA 70)
- 5.12 MUST BE INSTALLED IN AN ENCLOSURE MEETING THE REQUIREMENTS OF THE NATIONAL ELECTRIC CODE (ANSI/NFPA70) AND ANSI/ISA S82.02 AND S82.03.

DRAWING NO. 00644-2076

CONFIDENTIAL AND PROPRIETARY INFORMATION IS CONTAINED HEREIN AND MUST BE HANDLED ACCORDINGLY.		SURFACE FINISH UNLESS OTHERWISE SPECIFIED		125	3RD ANGLE	SIZE C	SCALE 3:4	REV AE
UNLESS OTHERWISE SPECIFIED DIMENSIONS IN INCHES (mm). REMOVE ALL BURRS AND SHARP EDGES.		ROSEMOUNT 8200 Market Boulevard, Chanhassen, MN 55317 USA						
-DEC TOLERANCES-		TITLE INSTALLATION 644H FIELDBUS CSA I.S. No Description in CAD						
.x ± .1 (2.5)	.xx ± .02 (0.5)	DR. NGA DOAN		1/15/03	DRAWING NO.		00644-2076	
.xxx ± .010 (0.25)	FRACTIONS ± 1/32	APP'D N. HOFFMANN		1/21/03				
ANGLES ± 2		DO NOT SCALE PRINT		CAD MAINTAINED. (PRO/E)	PRODUCT CODE	DOC TYPE	SHEET 5 OF 6	

THE 644H FIELDBUS AND PROFIBUS TRANSMITTER IS CSA APPROVED AS NON-INCENDIVE FOR CLASS 1, DIVISION 2, GROUPS A, B, C, AND D HAZARDOUS (CLASSIFIED) LOCATIONS.

TO ASSURE A NON-INCENDIVE SYSTEM, THE TRANSMITTER AND ASSOCIATED APPARATUS MUST BE WIRED IN ACCORDANCE WITH THE ASSOCIATED APPARATUS MANUFACTURER'S FIELD WIRING INSTRUCTIONS AND THE CIRCUIT DIAGRAM SHOWN BELOW.



6.6 TO ASSURE A NON-INCENDIVE SYSTEM, THE FOLLOWING MUST BE TRUE OF THE ASSOCIATED APPARATUS:

$$V_{max} \text{ or } U_i \geq V_{oc} \cdot V_i \text{ or } U_o;$$

$$C_a \geq C_i + C_{cable};$$

$$L_a \geq L_i + L_{cable};$$

6.5 MUST BE INSTALLED IN AN ENCLOSURE MEETING THE REQUIREMENTS OF THE NATIONAL ELECTRIC CODE (ANSI/NFPA70) AND ANSI/ISA S82.02 AND S82.03.

6.4 THE ASSOCIATED APPARATUS MUST BE CSA APPROVED FOR NON-INCENDIVE.

6.3 MUST BE INSTALLED IN ACCORDANCE WITH THE NATIONAL ELECTRIC CODE (ANSI-NFPA 70) FOR WIRING IN DIVISION 2 HAZARDOUS (CLASSIFIED) LOCATIONS.

6.2 TRANSMITTER MUST BE INSTALLED IN A SUITABLE RATED ENCLOSURE.

6.1 ONLY APPROVED EQUIPMENT OR EQUIPMENT CLASSIFIED AS SIMPLE APPARATUS, SUCH AS THERMOCOUPLES AND RTD'S, MAY BE CONNECTED TO SENSOR TERMINALS.

NOTES:

DRAWING NO. 00644-2076

CONFIDENTIAL AND PROPRIETARY INFORMATION IS CONTAINED HEREIN AND MUST BE HANDLED ACCORDINGLY.	SURFACE FINISH UNLESS OTHERWISE SPECIFIED	125/	3RD ANGLE		SIZE C	SCALE 3:4	REV AE
UNLESS OTHERWISE SPECIFIED DIMENSIONS IN INCHES (mm). REMOVE ALL BURRS AND SHARP EDGES.	EMERSON ROSEMOUNT 8200 Market Boulevard, Chanhassen, MN 55317 USA						
-DEC TOLERANCES-				TITLE INSTALLATION 644H FIELDBUS CSA I.S. No Description in CAD			
.x ± .1 (2.5)	.xx ± .02 (0.5)	.xxx ± .010 (0.25)	FRACTIONS ± 1/32	ANGLES ± 2°	DR. NGA DOAN	1/15/03	DRAWING NO. 00644-2076
DO NOT SCALE PRINT			CAD MAINTAINED. (PRO/E)	PRODUCT CODE	DOC TYPE	SHEET 6 OF 6	