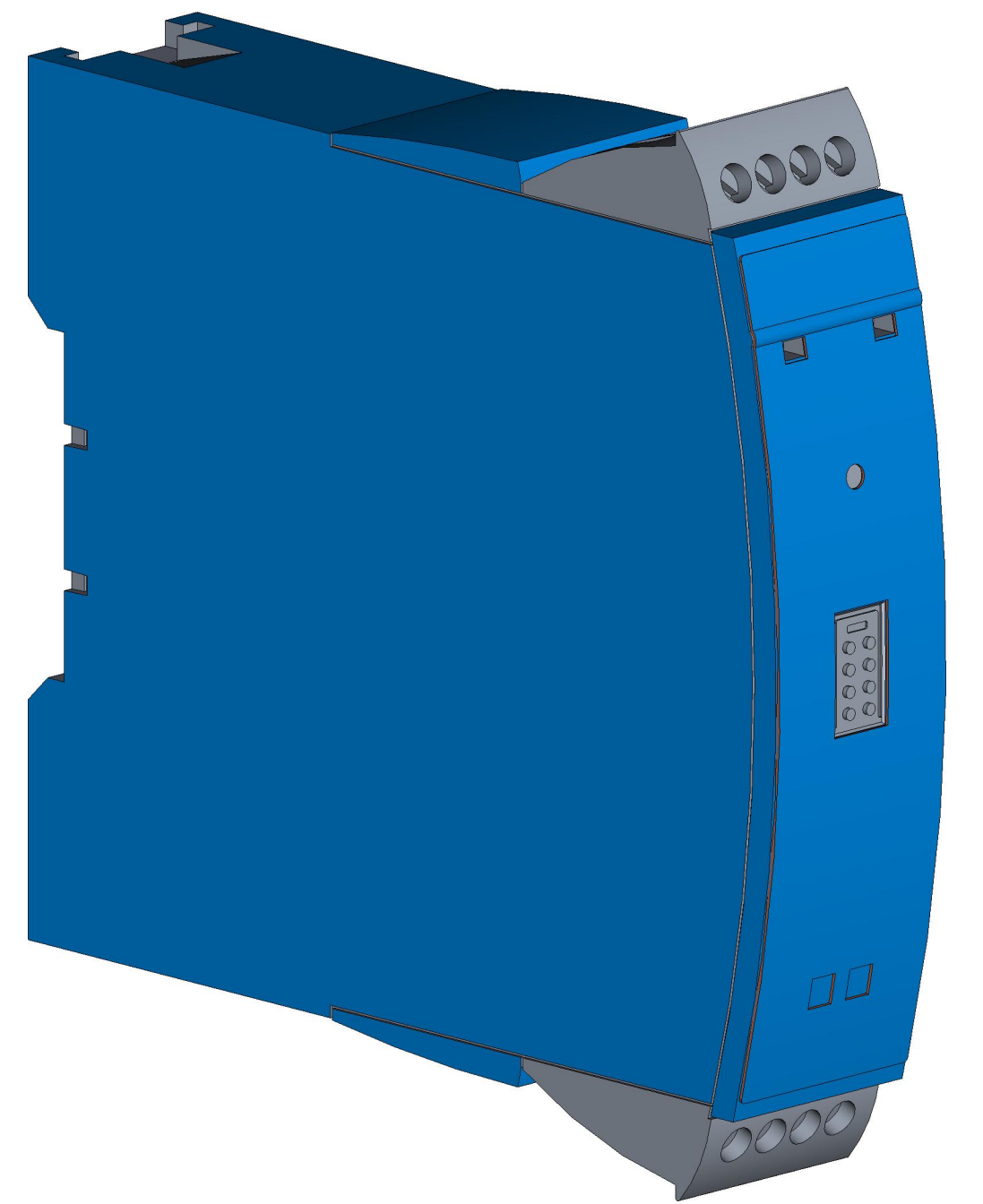
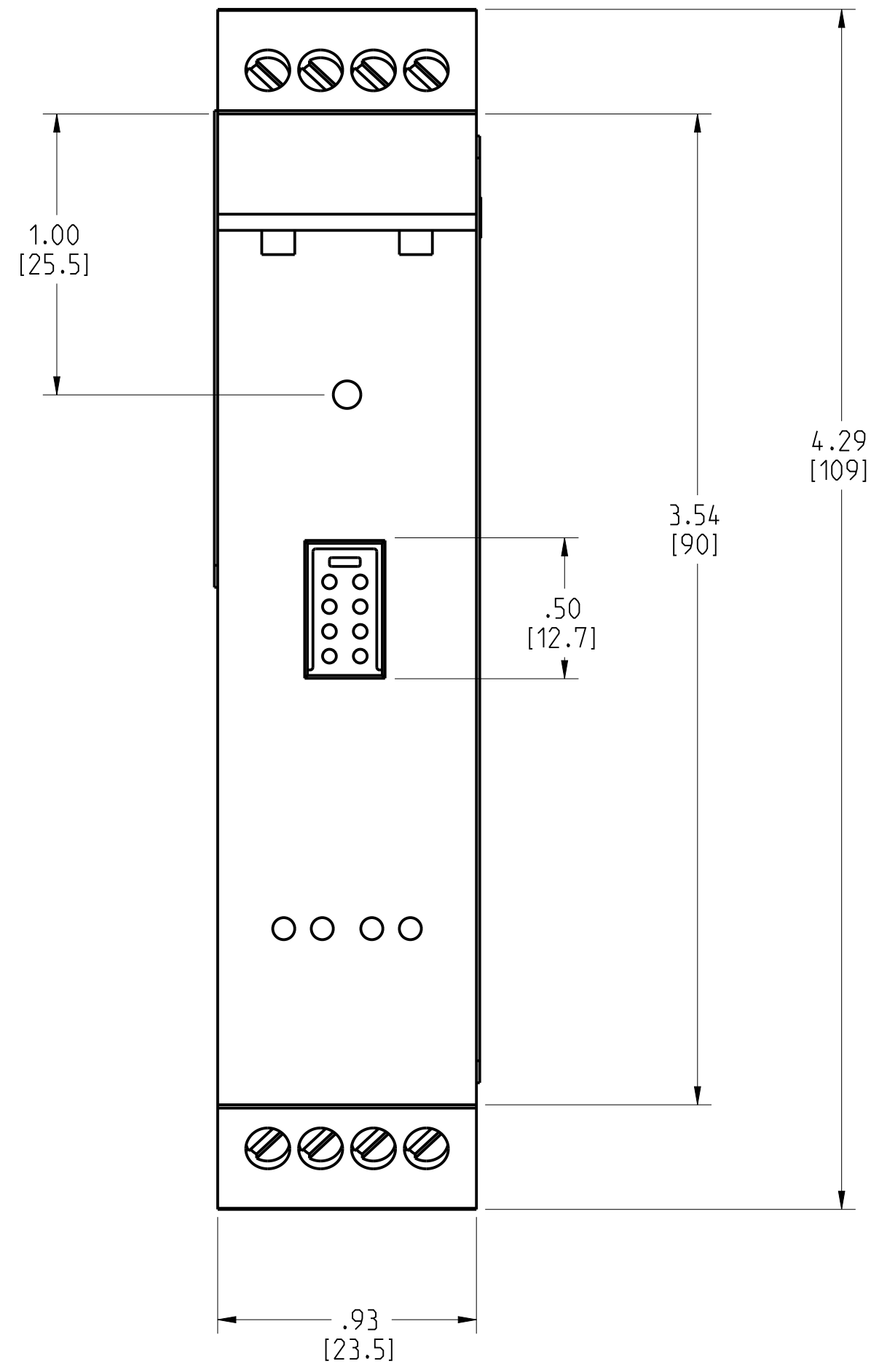
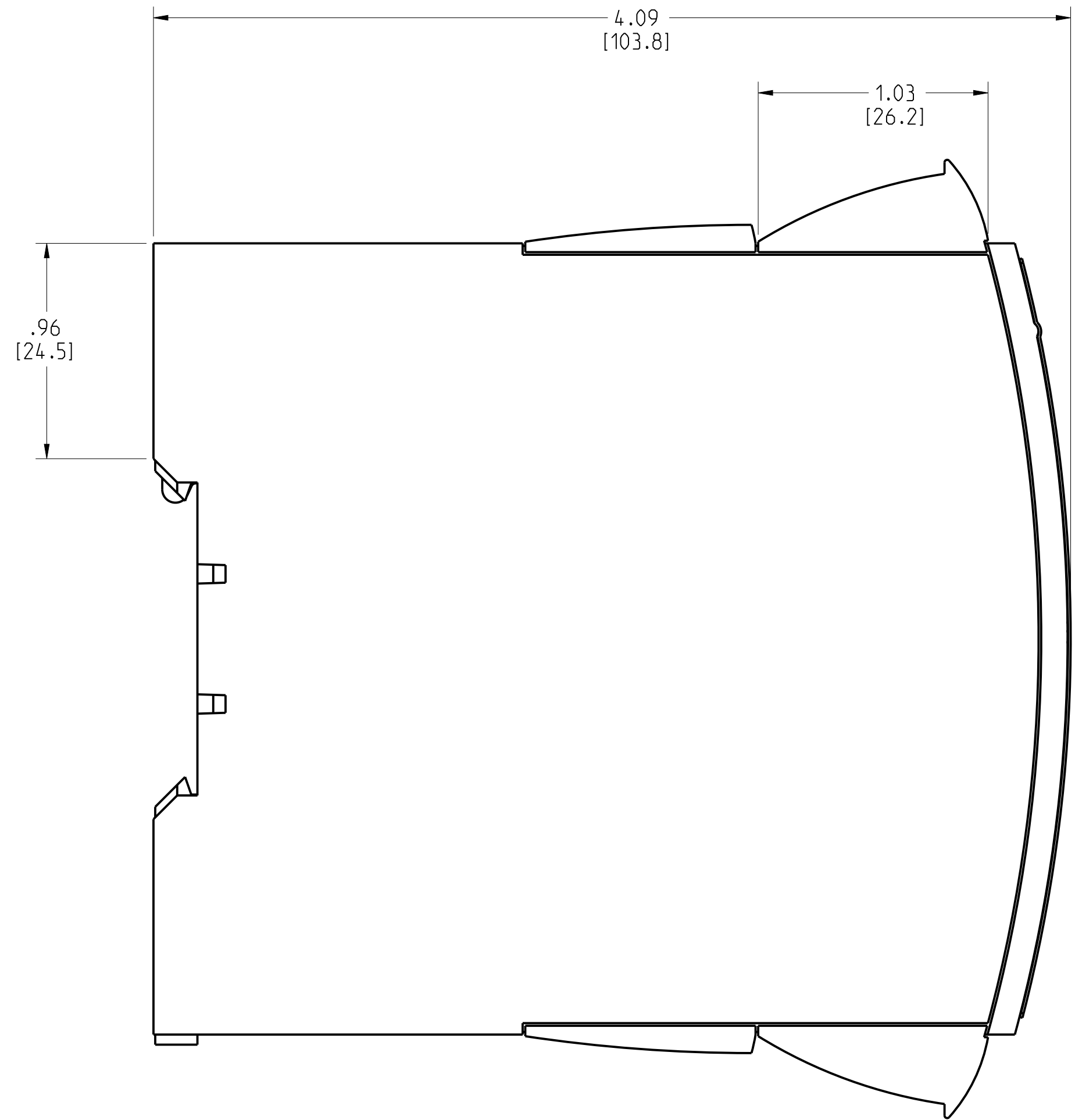


ROSEMOUNT 644R RAIL MOUNT TRANSMITTER
WITH RK OPTION (SINGLE SENSOR INPUT)

REVISION TABLE			
REVISION	ECO NO.	APP'D	DATE
AA	RTC1077388	A. BALCH	5/18/21
DESCRIPTION			
NEW RELEASE			



©2015 ROSEMOUNT, INC. ALL RIGHTS RESERVED. THIS DRAWING IS UNCLASSIFIED IN ACCORDANCE WITH ROSEMOUNT ENGINEERING SPECIFICATIONS. UNIT NOTES IN INCHES (mm).

REFERENCE ROSEMOUNT PRODUCT SPECIFICATIONS. CLICK HERE

CAD MAINTAINED. (PRO/E)

3RD ANGLE

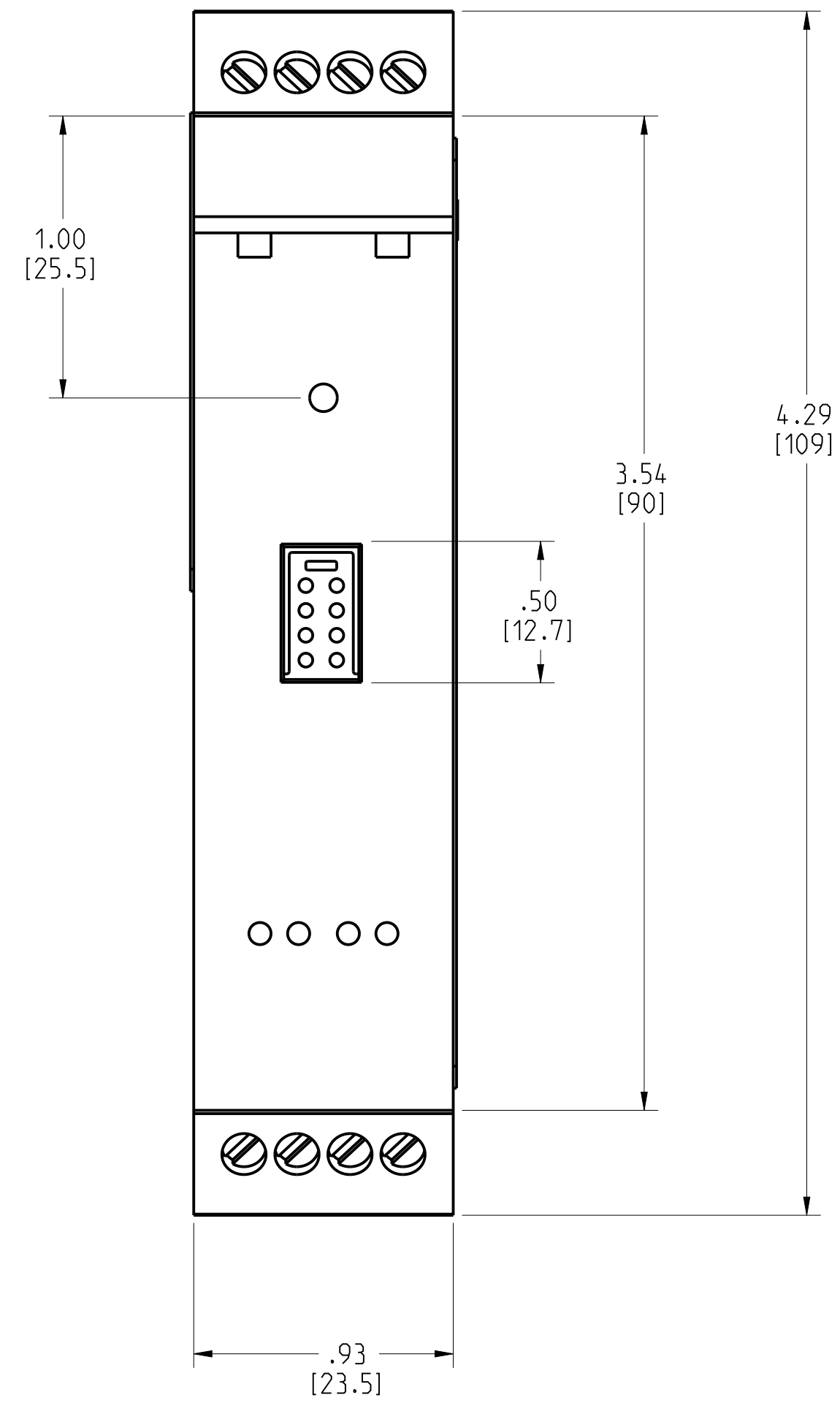
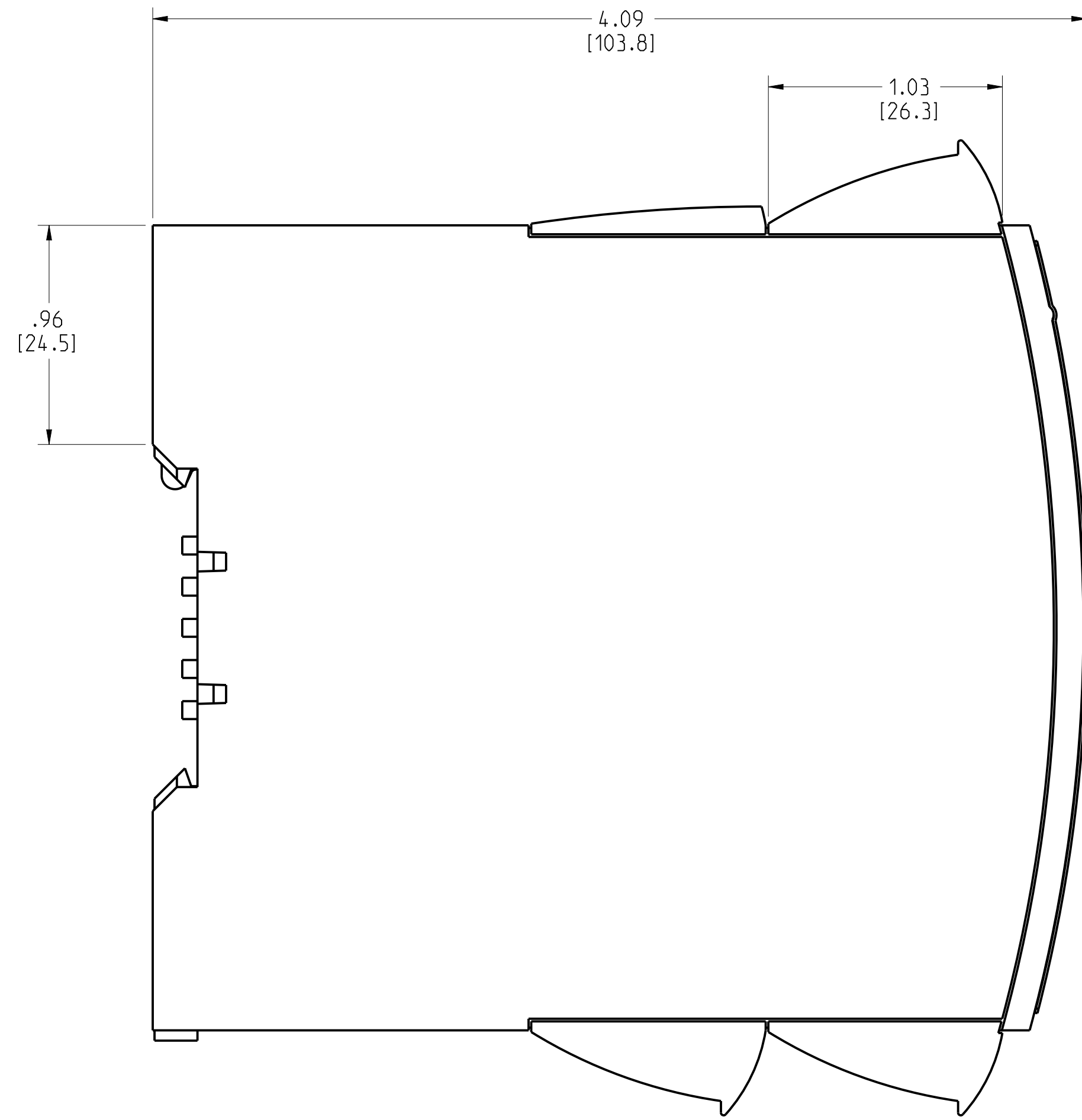
EMERSON

ROSEMOUNT 644R/644T RAIL MOUNT
RK OPTION TYPE I DRAWING

DR. J. ARMSTRONG	4/29/21	DRAWING NO.	00644-7800
APP'D A. BALCH	4/29/21		

SHEET 1 OF 2

ROSEMOUNT 644T RAIL MOUNT TRANSMITTER
WITH RK OPTION (DUAL SENSOR INPUT)



©2015 ROSEMOUNT, INC.
ROSEMOUNT AND LOGO ARE TRADEMARKS OF ROSEMOUNT, INC. ALL RIGHTS RESERVED.
THIS DRAWING IS THE PROPERTY OF ROSEMOUNT, INC. AND IS TO BE USED IN ACCORDANCE WITH THE ROSEMOUNT ENGINEERING SPECIFICATIONS.
UNIT NOTES IN INCHES (mm).

REFERENCE ROSEMOUNT PRODUCT SPECIFICATIONS FOR PRODUCT SPECIFICATIONS.
CLICK HERE

EMERSON

ROSEMOUNT 644R/644T RAIL MOUNT
RK OPTION TYPE I DRAWING

DR. J. ARMSTRONG 4/29/21 DRAWING NO. 00644-7800
APP'D A. BALCH 4/29/21
CAD MAINTAINED (PRO/E) SHEET 2 OF 2

3RD ANGLE
SIZE D
SCALE NTS