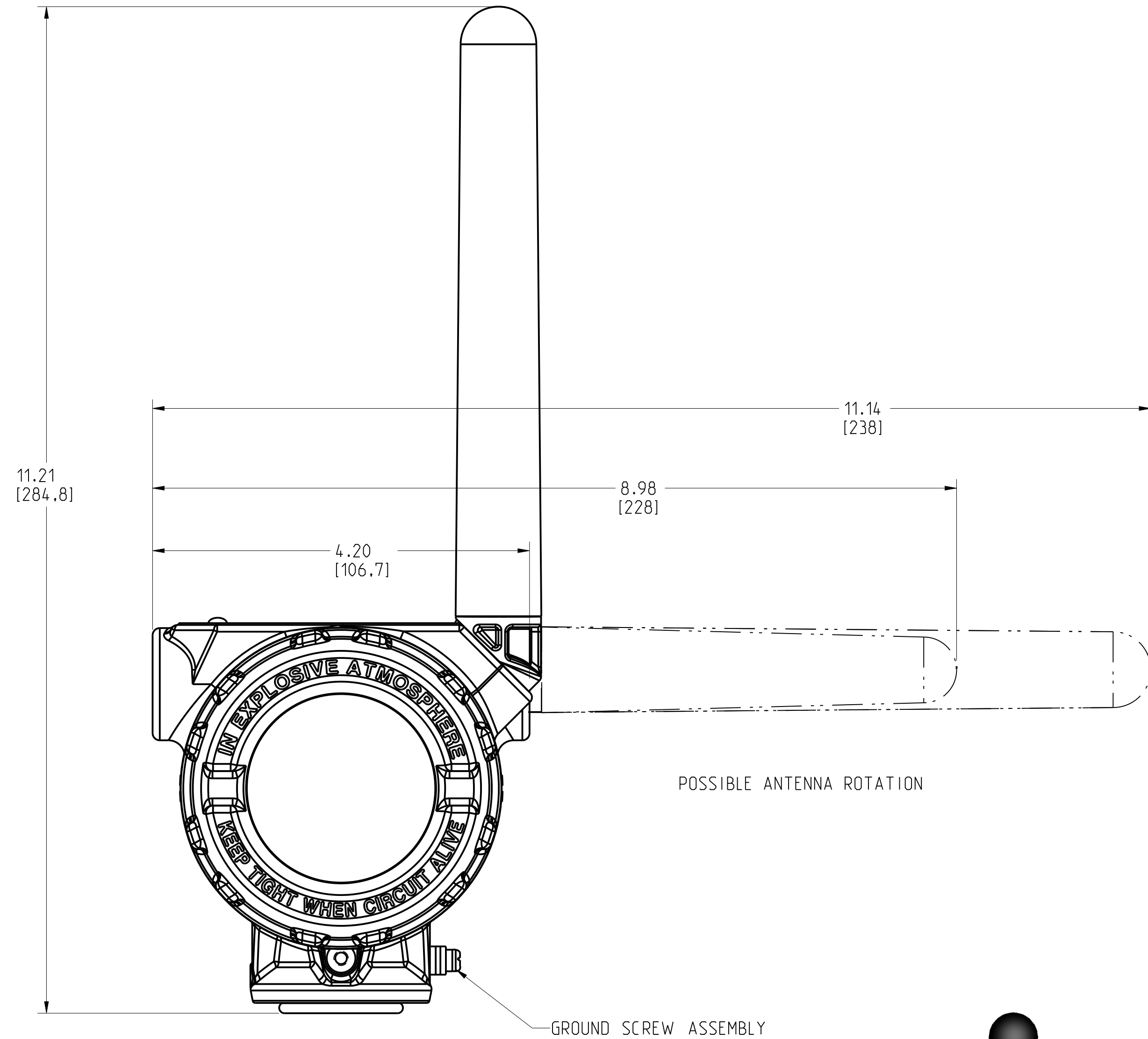
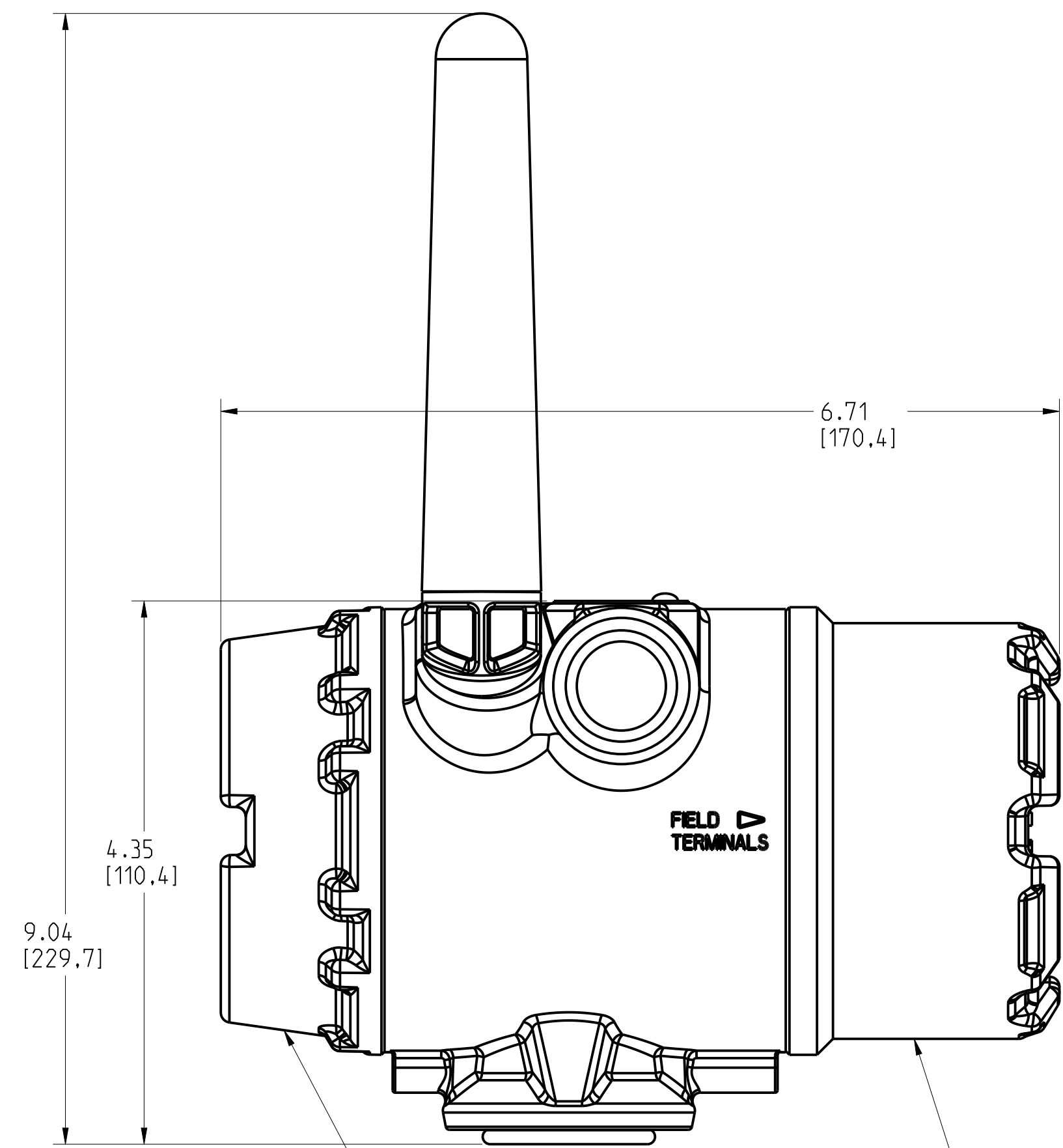


# ROSEMOUNT 648 WIRELESS TEMPERATURE TRANSMITTER

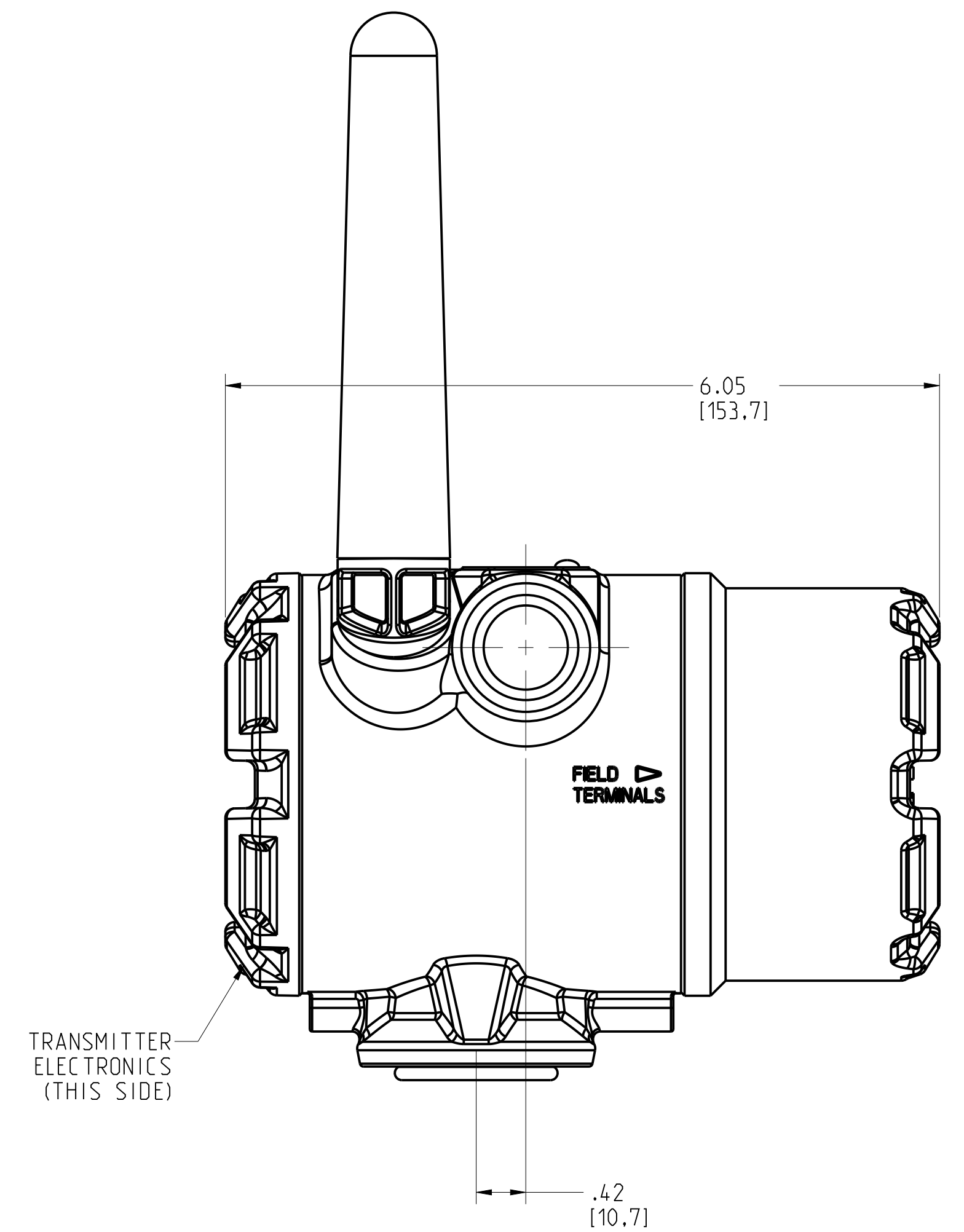
REVISION TABLE			
REVISION	ECO NO.	APP'D	DATE
AG	RTC1080161	N. LOYA	1/14/23
DESCRIPTION			
ADD UNIVERSAL MOUNT PAGE.			



SHOWN WITH OPTIONAL DIGITAL DISPLAY AND 2.4 GHz/WIRELESS HART ANTENNA



SHOWN WITHOUT OPTIONAL DIGITAL DISPLAY



©2015 ROSEMOUNT, INC.  
 ROSEMOUNT INC. ACCEPTS  
 LIABILITY FOR THE INFORMATION  
 PROVIDED HEREIN. THIS  
 INFORMATION IS PROVIDED IN  
 ACCORDANCE WITH  
 ROSEMOUNT ENGINEERING  
 SPECIFICATIONS.  
 UNIT NOTES IN INCHES (mm).

REFERENCE ROSEMOUNT  
 PRODUCT LITERATURE FOR  
 PRODUCT SPECIFICATIONS.  
 CLICK HERE

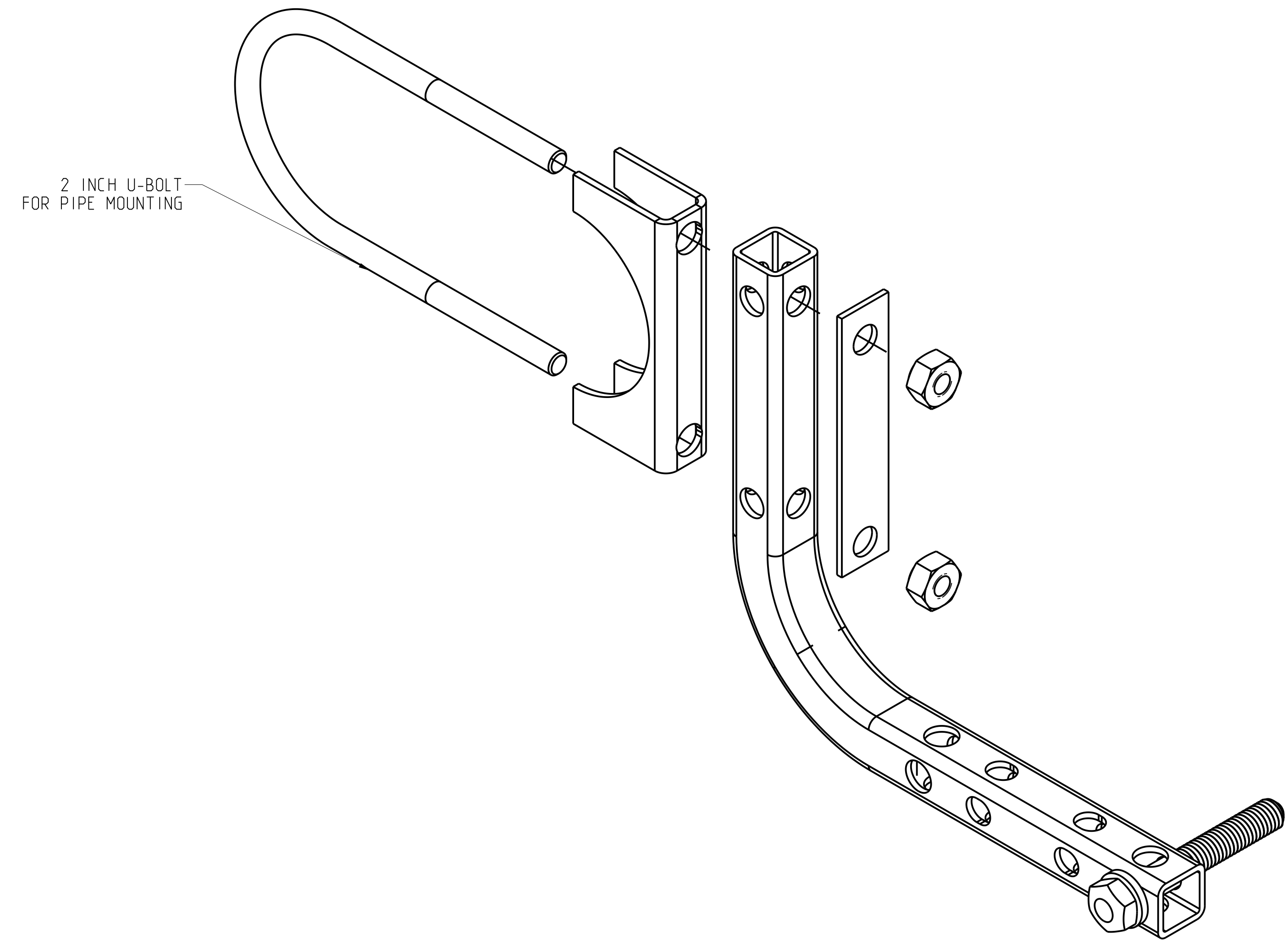
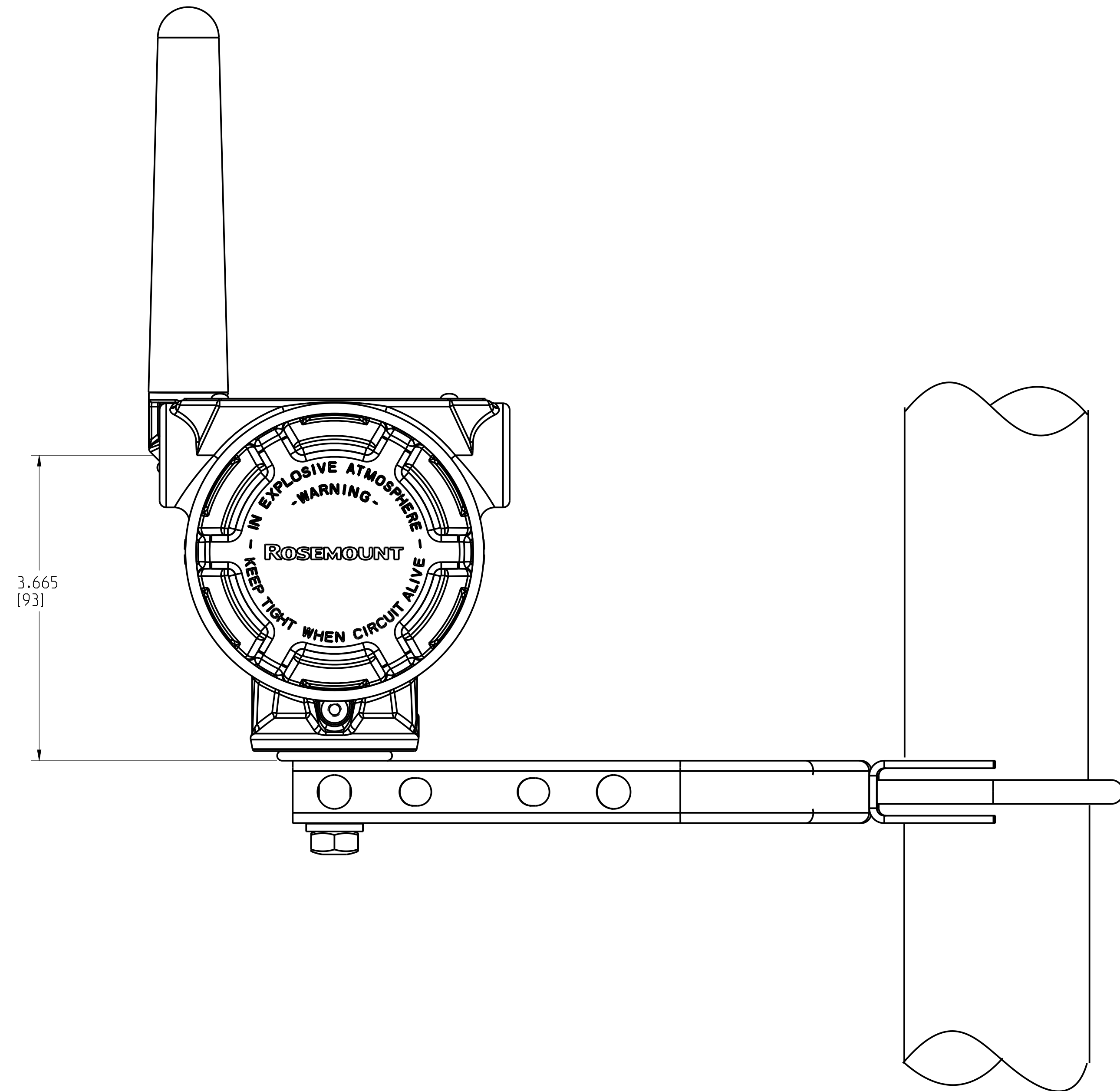
DR. JLA 2/6/16 DRAWING NO. 00648-7000  
 APP'D C. VUE 2/8/16

CAD MAINTAINED. (PRO/E) SHEET 1 OF 4

EMERSON  
 TITLE ROSEMOUNT 648 WIRELESS  
 TYPE I DRAWING

3RD ANGLE  
 SIZE D SCALE NTS

ROSEMOUNT 648 WIRELESS TEMPERATURE TRANSMITTER  
 MOUNTING CONFIGURATION WITH OPTIONAL MOUNTING BRACKET

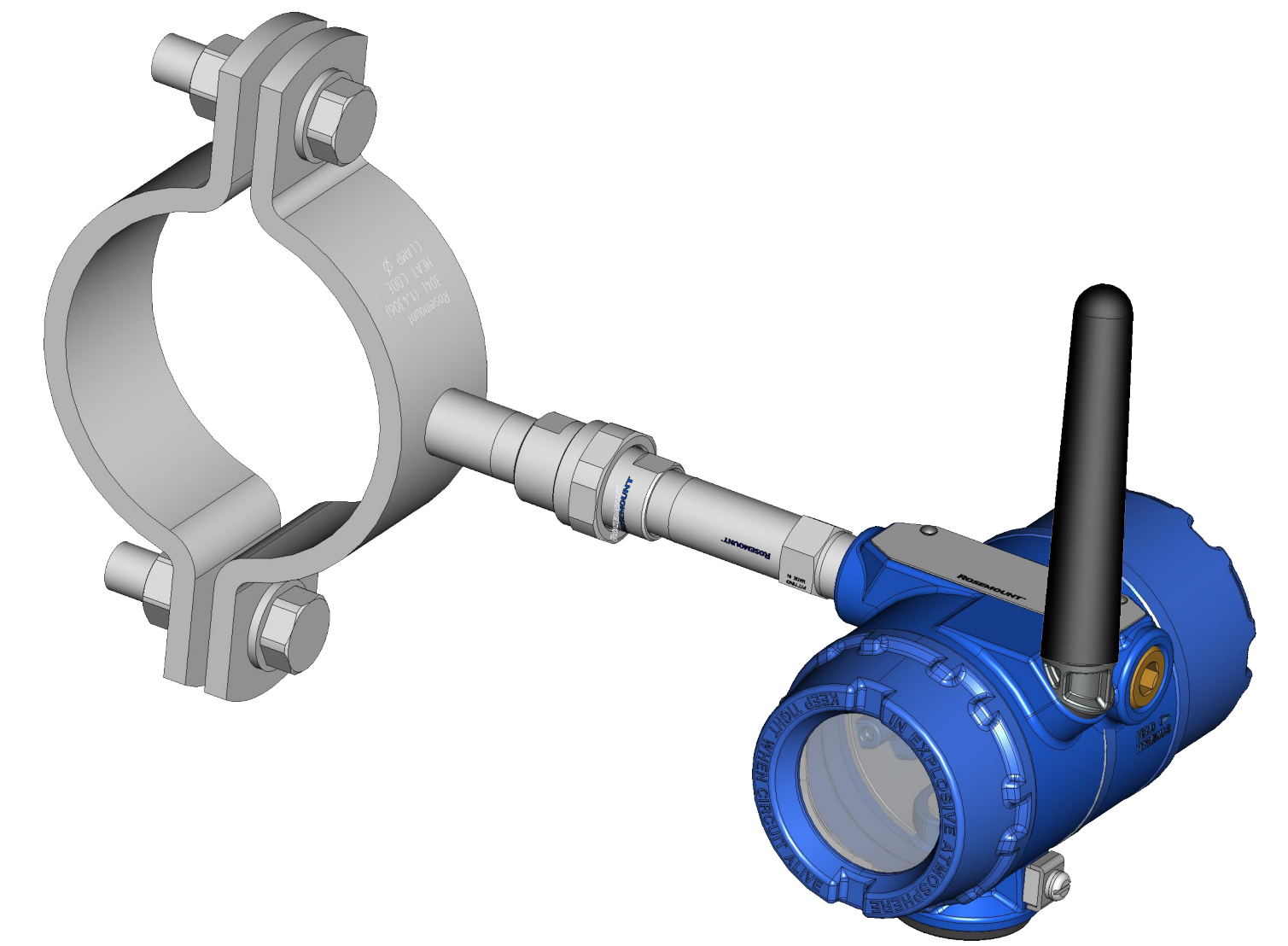
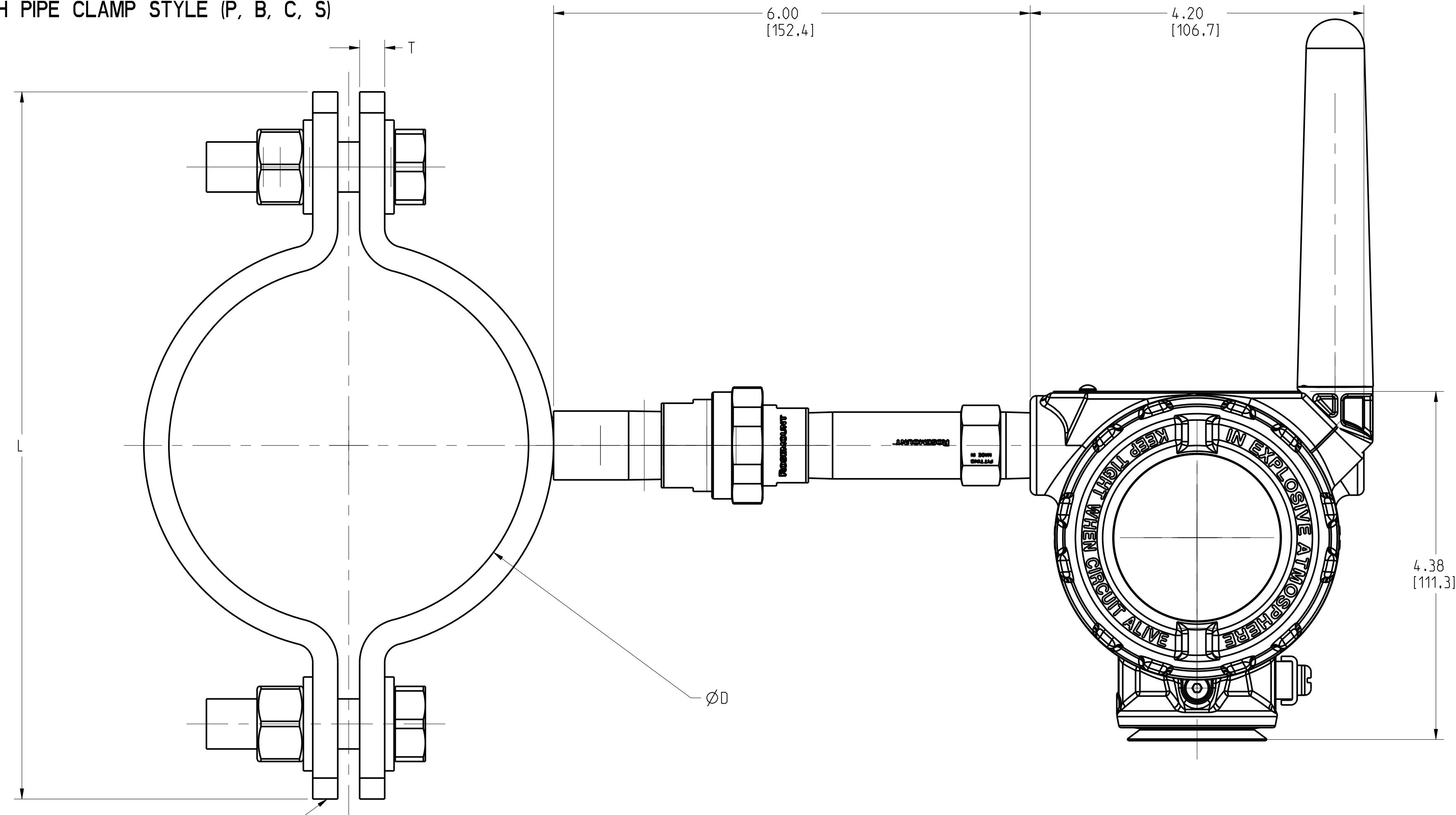


FOR TRANSMITTER MOUNTING

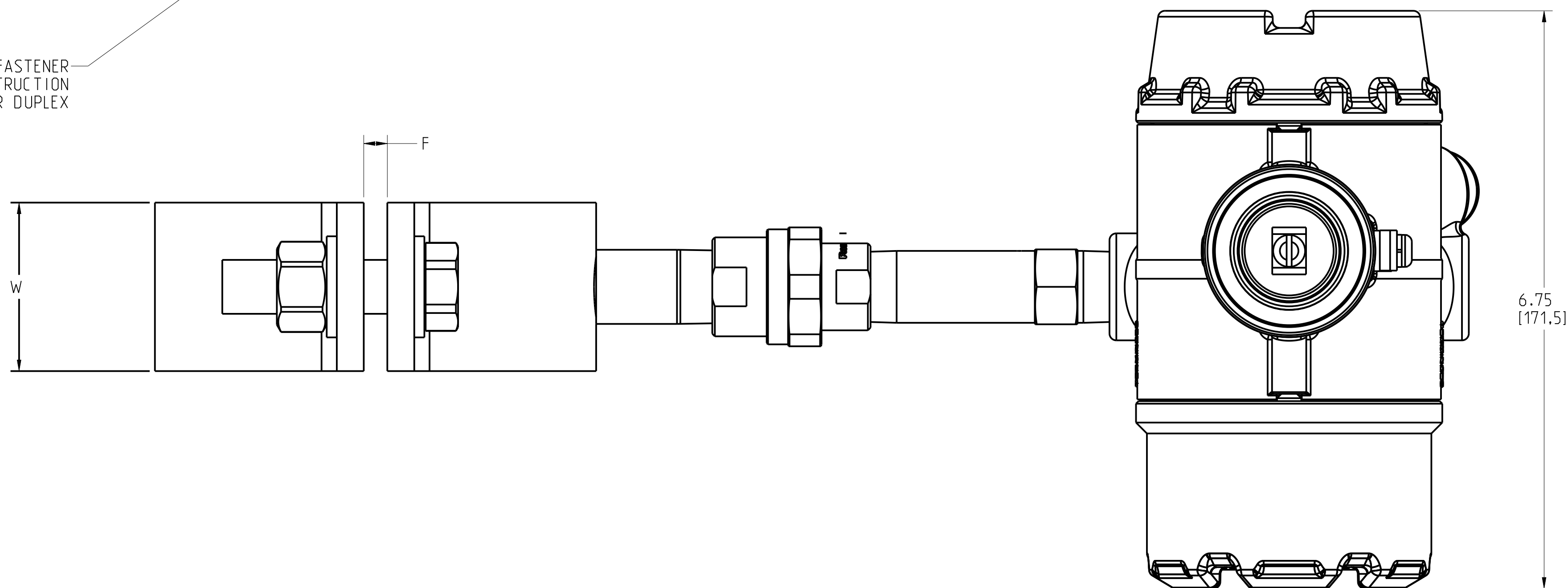
©2015 ROSEMOUNT, INC. ROSEMOUNT INC. EXPRESSLY DISCLAIMS LIABILITY FOR THIS DRAWING AND ASSUMES NO LIABILITY FOR ACCIDENTS OR DAMAGES THAT MAY OCCUR WHILE USING THIS DRAWING. ROSEMOUNT ENGINEERING SPECIFICATIONS. UNIT NOTES IN INCHES (mm). REFERENCE ROSEMOUNT PRODUCT SPECIFICATIONS FOR PRODUCT SPECIFICATIONS. CLICK HERE	3RD ANGLE	SIZE D	SCALE NTS
	TITLE <b>ROSEMOUNT 648 WIRELESS          TYPE I DRAWING</b>		
	DR. JLA 2/6/16	DRAWING NO. 00648-7000	
APP'D C. VUE 2/8/16			
CAD MAINTAINED: (PRO/E)		SHEET 2 OF 4	

# ROSEMOUNT 648 WIRELESS TEMPERATURE TRANSMITTER MOUNTING CONFIGURATION WITH OPTION CODE PT

ASSEMBLED TO 0085 SENSOR WITH PIPE CLAMP STYLE (P, B, C, S)



CLAMP & FASTENER  
MATERIALS OF CONSTRUCTION  
CARBON STEEL, 304SST, OR DUPLEX



4. PLEASE REFER TO DRAWING NUMBER 00085-7000 FOR MORE INFORMATION IN REGARDS TO DIMENSIONS D, L, T, F, AND W OF THE 0085 SENSOR ASSEMBLY  
3. 0085 SENSOR ASSEMBLY IS REQUIRED WITH OPTION CODE PT

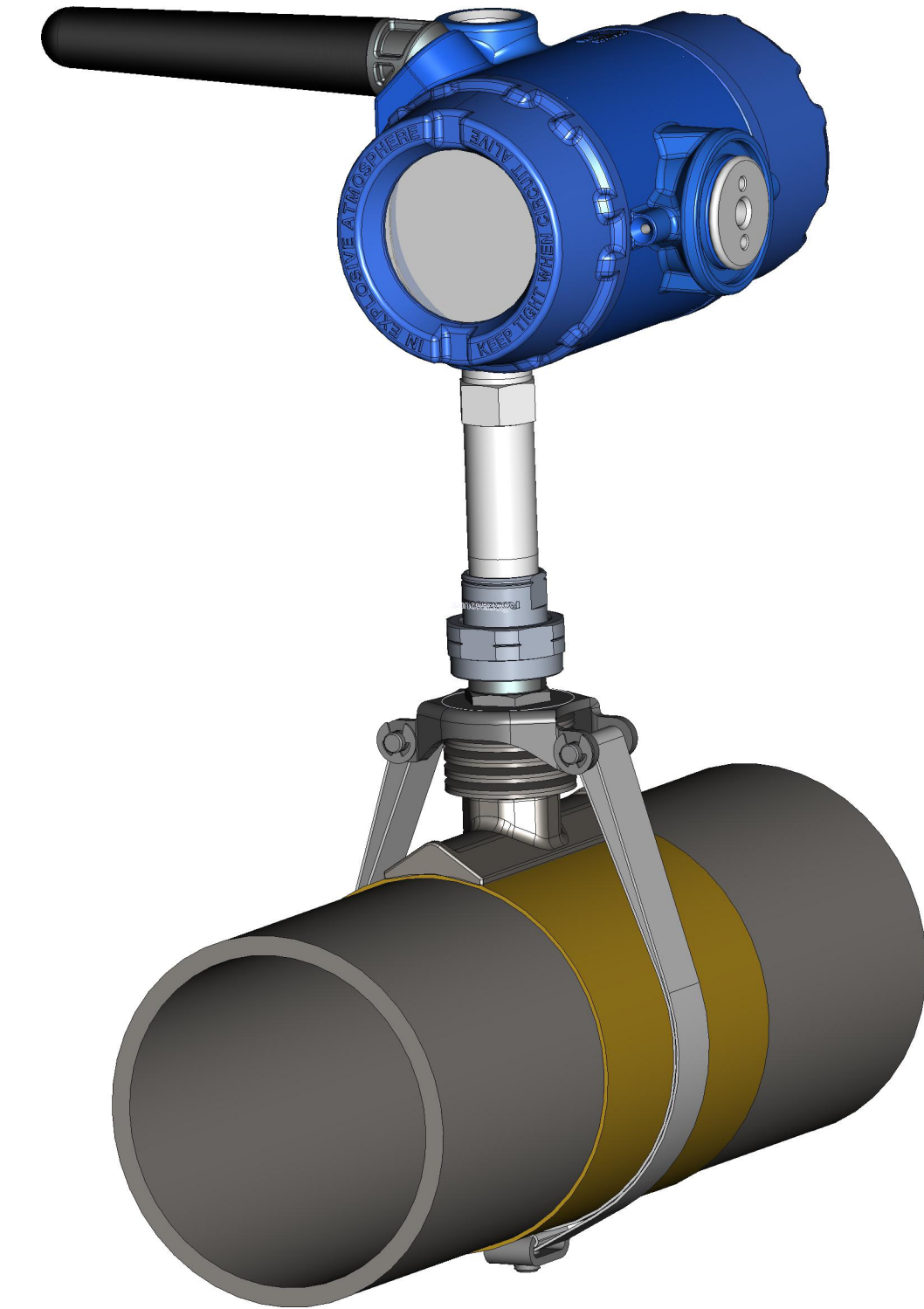
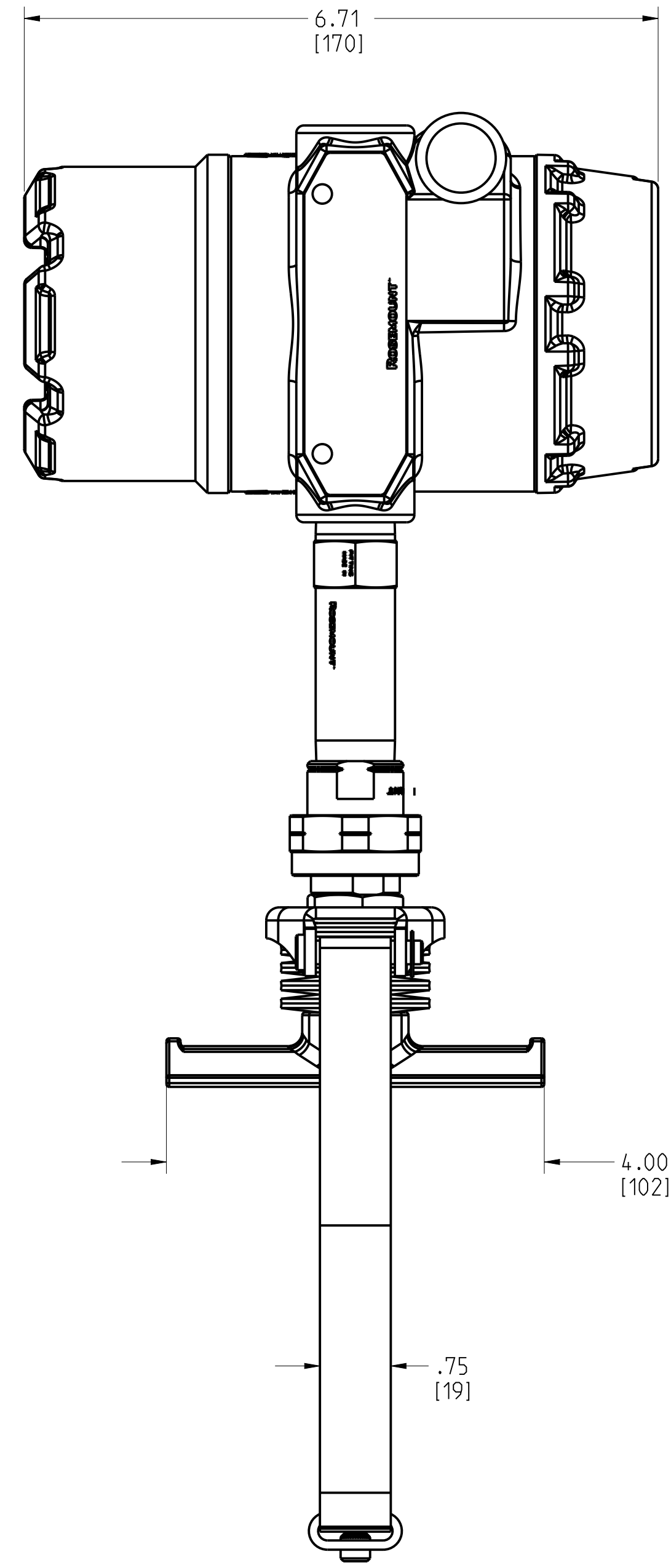
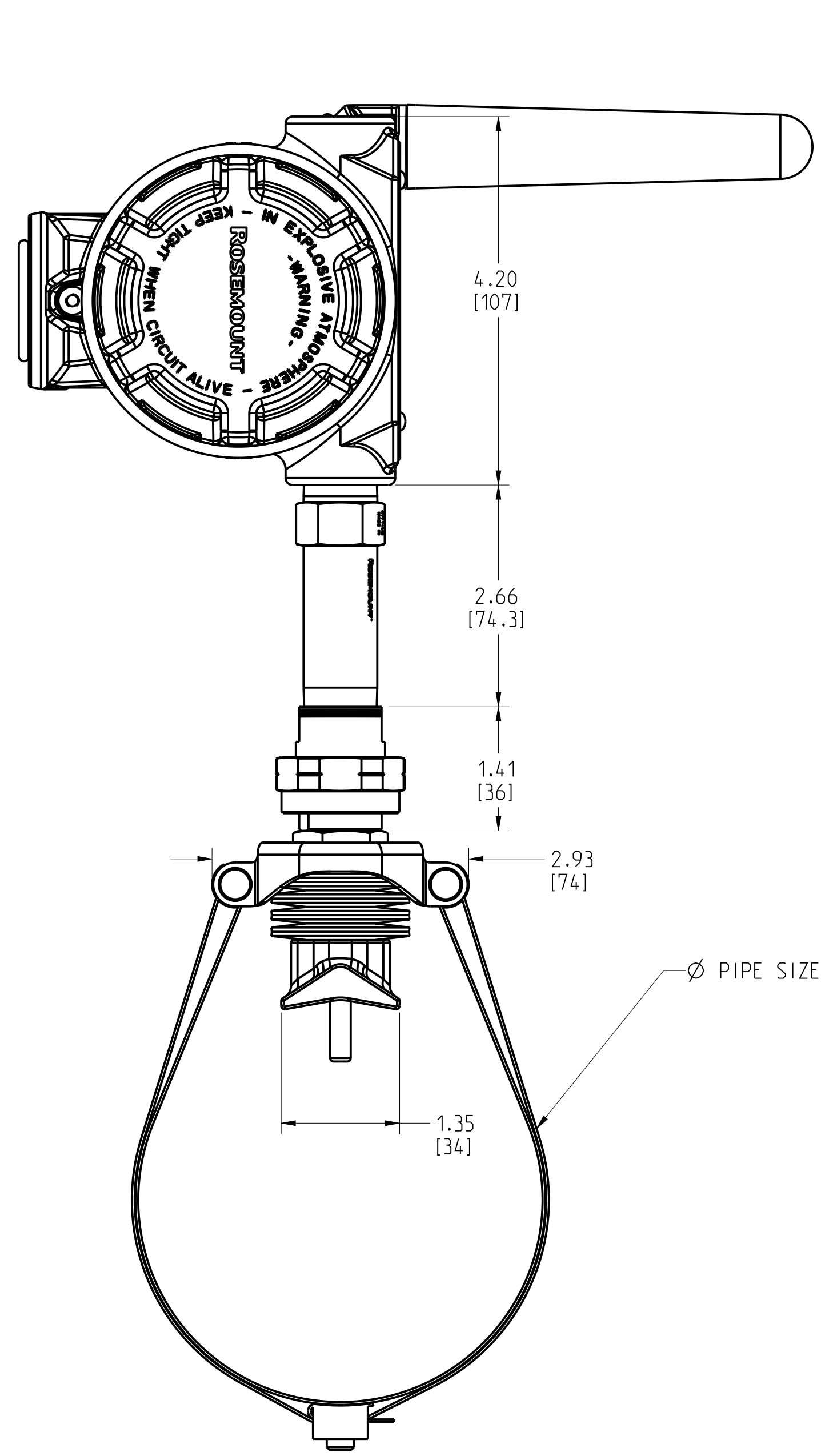
NOTES:

©2015 ROSEMOUNT, INC. ROSEMOUNT INC. ACCEPTS LIABILITY FOR THE INFORMATION PROVIDED IN THIS DRAWING IN ACCORDANCE WITH ROSEMOUNT ENGINEERING SPECIFICATIONS. UNIT NOTES IN INCHES (mm). REFERENCE ROSEMOUNT PRODUCT SPECIFICATIONS FOR PRODUCT SPECIFICATIONS. CLICK HERE	3RD ANGLE		SIZE D	SCALE NTS
	<b>EMERSON</b>			
	TITLE ROSEMOUNT 648 WIRELESS TYPE I DRAWING			
	DR. JLA 2/6/16	DRAWING NO.	<b>00648-7000</b>	
APP'D C. VUE 2/8/16	CAD MAINTAINED (PRO/E)			SHEET 3 OF 4



**ROSEMOUNT 648 WIRELESS TEMPERATURE TRANSMITTER  
UNIVERSAL MOUNTING CONFIGURATION WITH OPTION CODE (PT)**

ASSEMBLED TO 0085 SENSOR WITH PIPE CLAMP STYLE (U)



©2015 ROSEMOUNT, INC.  
ROSEMOUNT INC. ACCEPTS  
THIS DRAWING AS IS. IT IS  
NOT TO BE USED FOR  
REPRODUCTION OR  
REUSE IN ANY MANNER  
WITHOUT THE EXPRESS  
WRITTEN PERMISSION OF  
ROSEMOUNT INC.

REFERENCE ROSEMOUNT  
PRODUCT SPECIFICATIONS  
FOR PRODUCT SPECIFICATIONS.  
CLICK HERE

3RD ANGLE

**EMERSON**

TITLE ROSEMOUNT 648 WIRELESS  
TYPE I DRAWING

DR.	JLA	2/6/16	DRAWING NO.	00648-7000
APP'D	C. VUE	2/8/16		
CAD MAINTAINED: (PRO/E)			SHEET 4 OF 4	