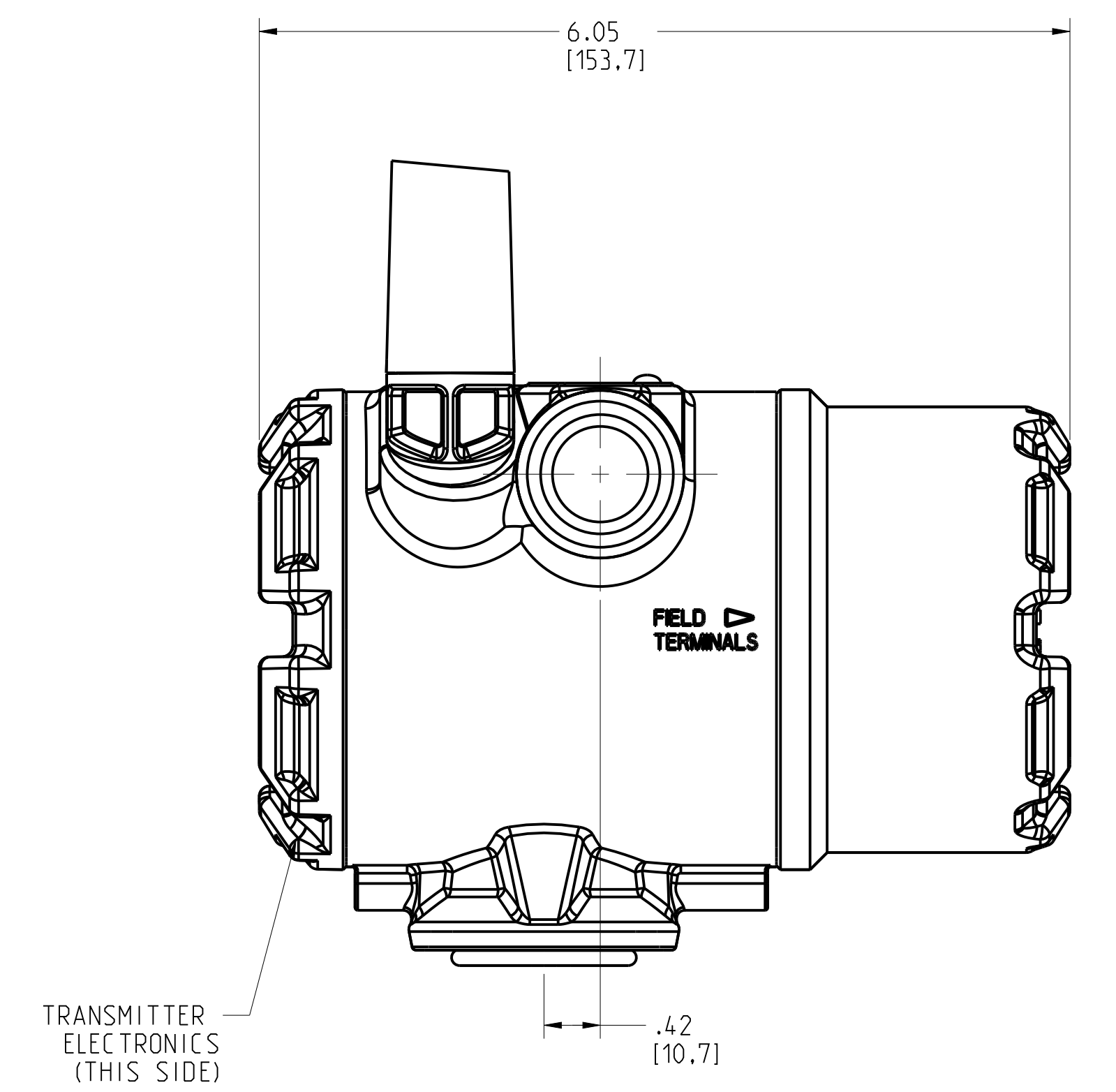
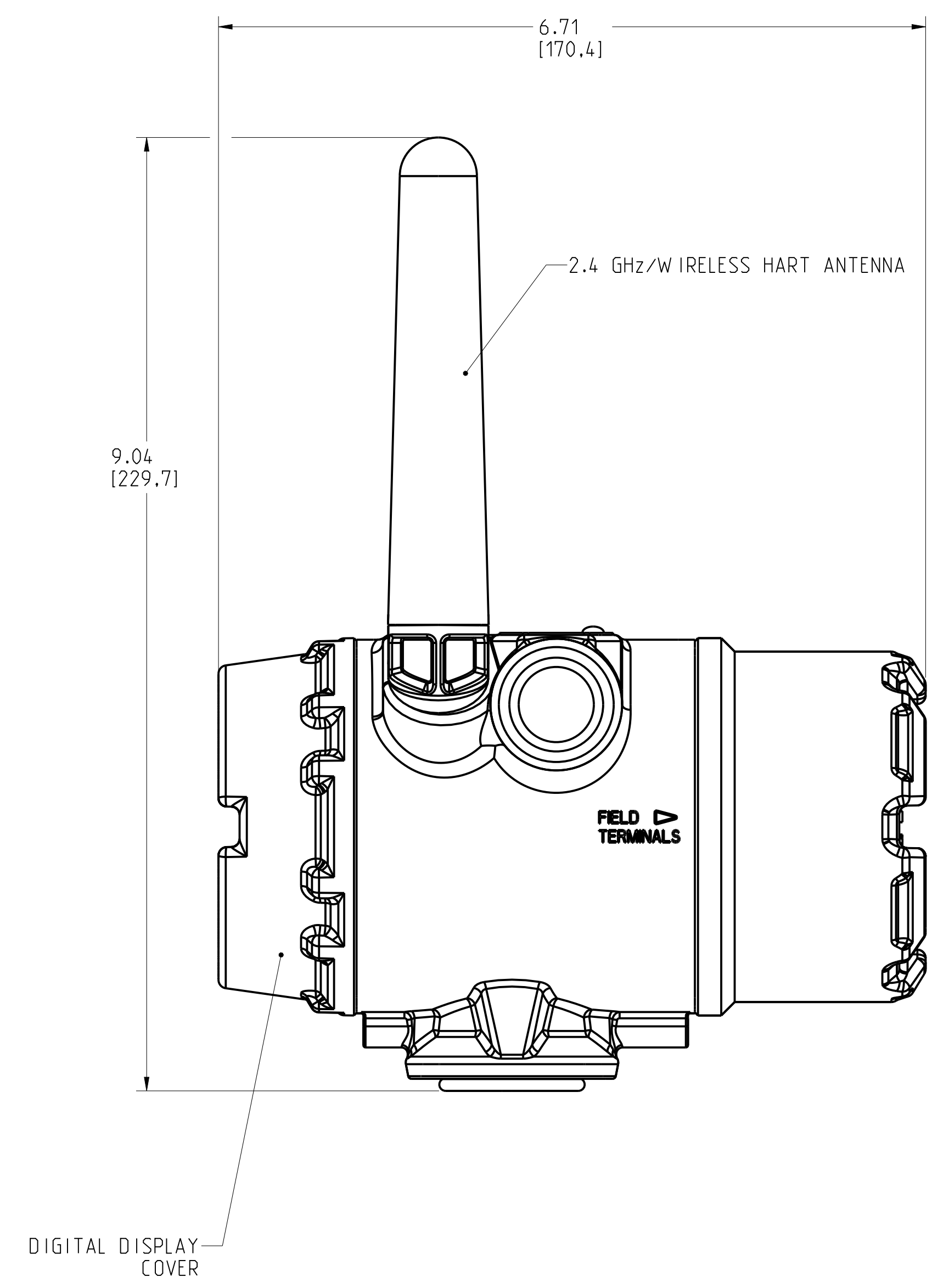
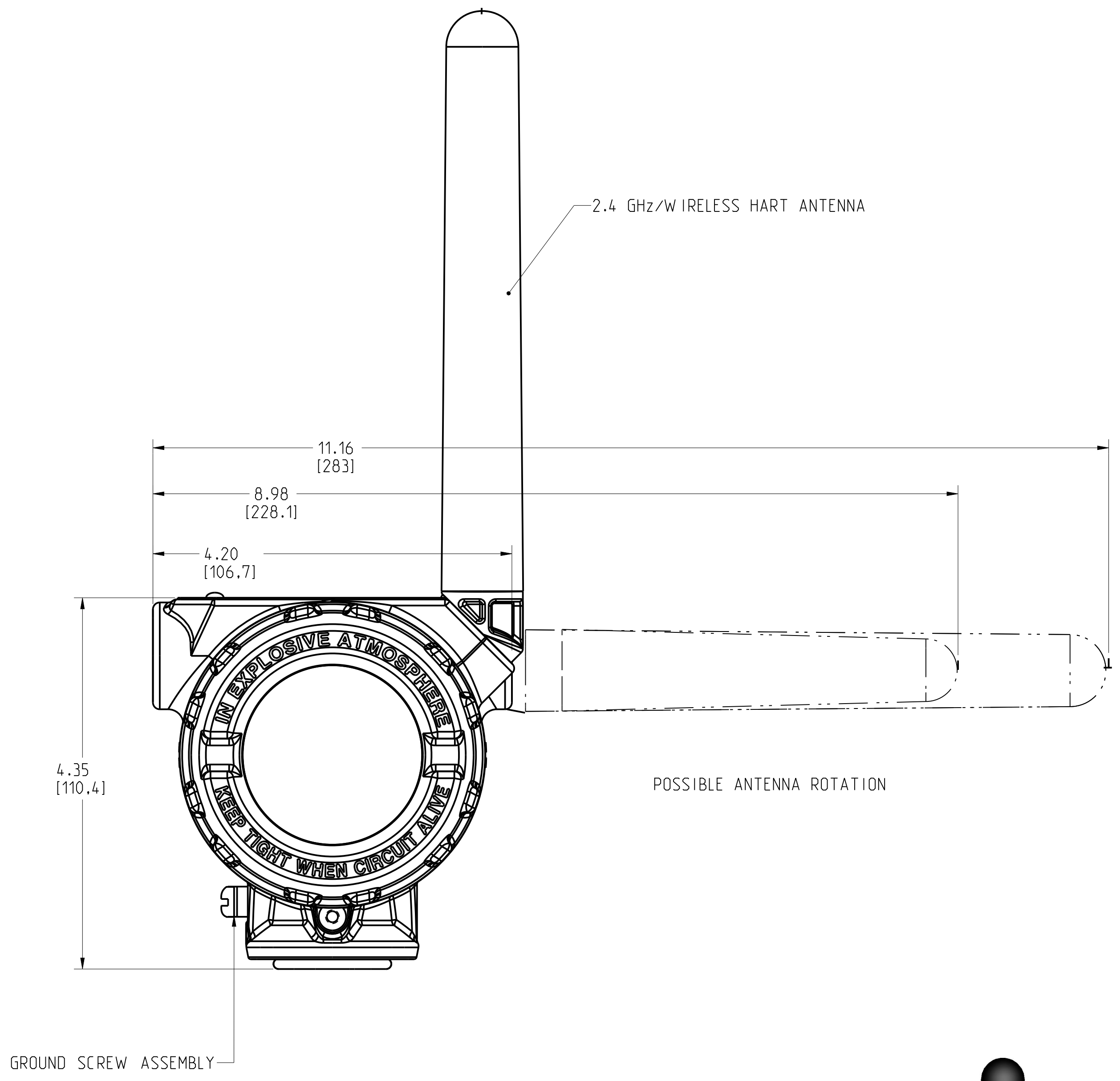


# ROSEMOUNT 702 WIRELESS DISCRETE INPUT AND OUTPUT TRANSMITTER

REVISION TABLE			
REVISION	ECO NO.	APP'D	DATE
AG	RTC1078936	RYAN LINDSEY	3/30/22
DESCRIPTION			
ADD GROUND SCREW AND CHANGE TITLES			



©2015 ROSEMOUNT, INC.  
ROSEMOUNT INCORPORATES  
THIS INFORMATION IN  
THIS DRAWING IN ACCORDANCE WITH  
ROSEMOUNT ENGINEERING  
SPECIFICATIONS.  
UNIT NOTES IN INCHES (mm).

REFERENCE ROSEMOUNT  
PRODUCT SHEETS FOR  
PRODUCT SPECIFICATIONS.  
CLICK HERE

EMERSON

TITLE  
**ROSEMOUNT 702  
TYPE I DRAWING**

DR. JLA 6/30/14 DRAWING NO. 00702-7000

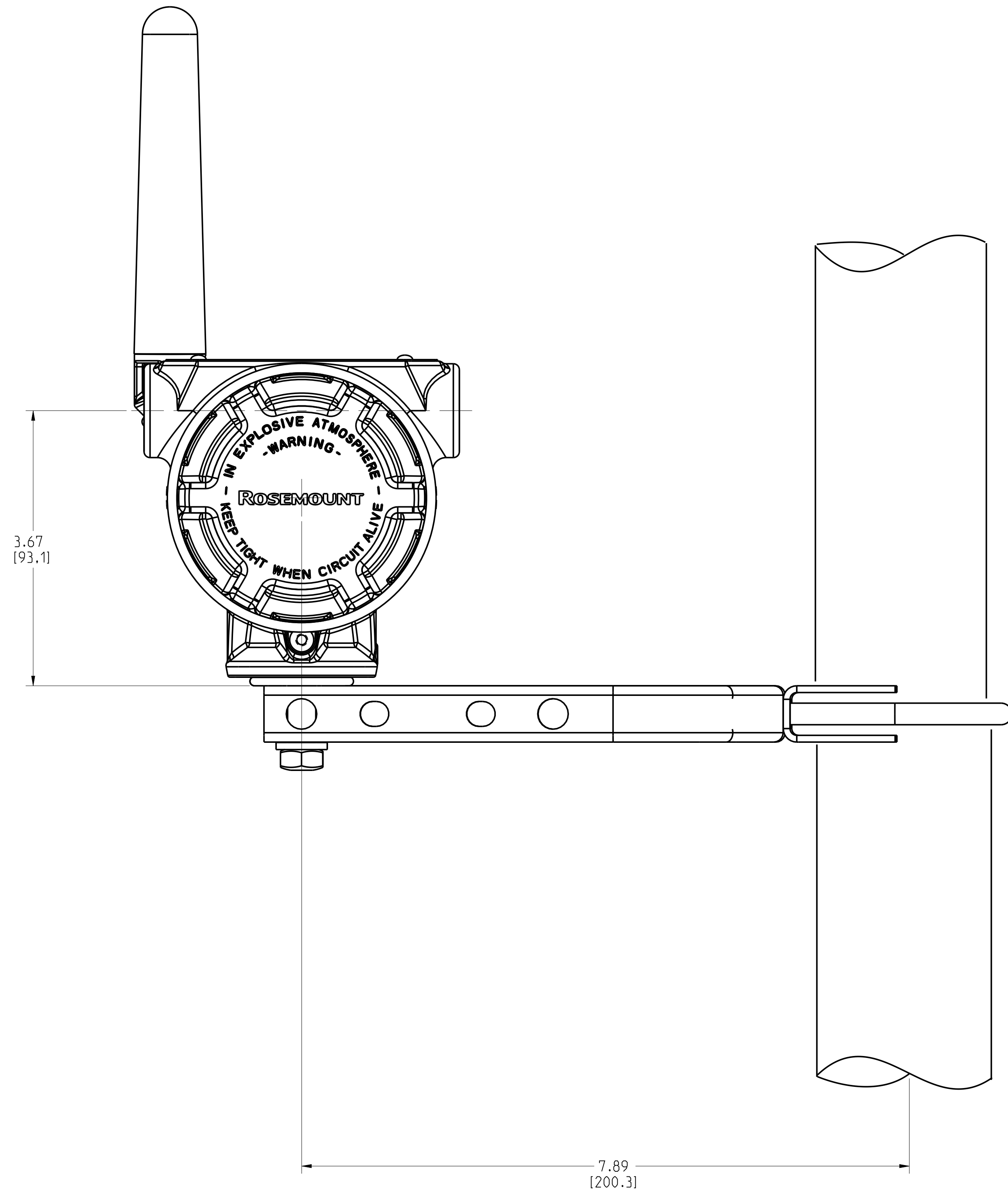
APP'D J.VANDERAA 6/30/14

CAD MAINTAINED (PRO/E) SHEET 1 OF 3

3RD ANGLE

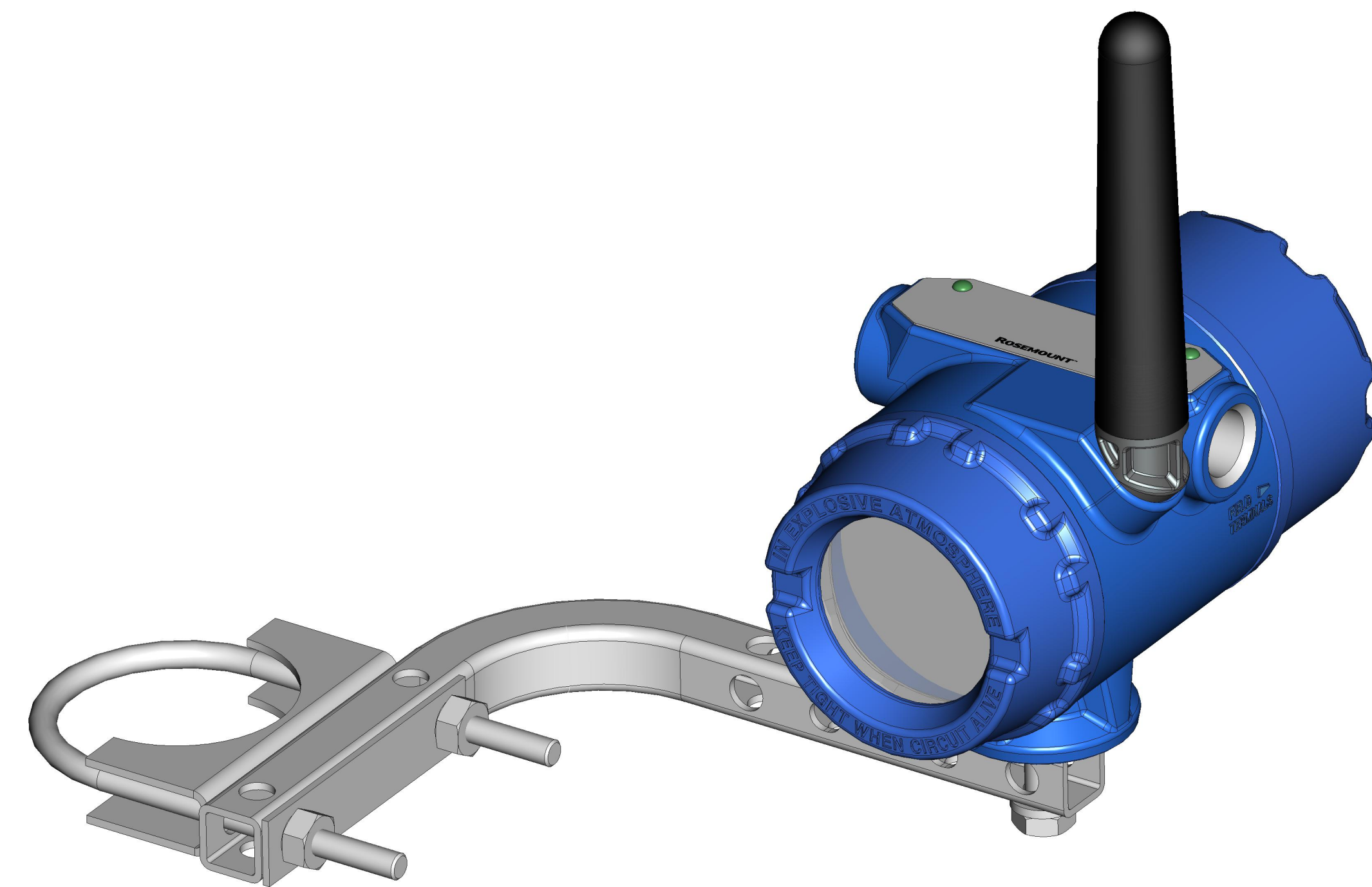
SIZE D SCALE NTS

ROSEMOUNT 702 WIRELESS DISCRETE INPUT AND OUTPUT TRANSMITTER  
MOUNTING CONFIGURATION WITH OPTIONAL MOUNTING BRACKET



2 INCH U-BOLT  
FOR PIPE MOUNTING

FOR TRANSMITTER MOUNTING



©2015 ROSEMOUNT, INC.  
ROSEMOUNT INCORPORATES  
THIS INFORMATION IN  
THIS DRAWING IN ACCORDANCE WITH  
ROSEMOUNT ENGINEERING  
SPECIFICATIONS.  
UNIT NOTES IN INCHES (mm).

REFERENCE ROSEMOUNT  
PRODUCT SHEETS FOR  
PRODUCT SPECIFICATIONS.  
CLICK HERE

EMERSON

TITLE  
ROSEMOUNT 702  
TYPE I DRAWING

DR. JLA 6/30/14 DRAWING NO. 00702-7000

APP'D J.VANDERAA 6/30/14

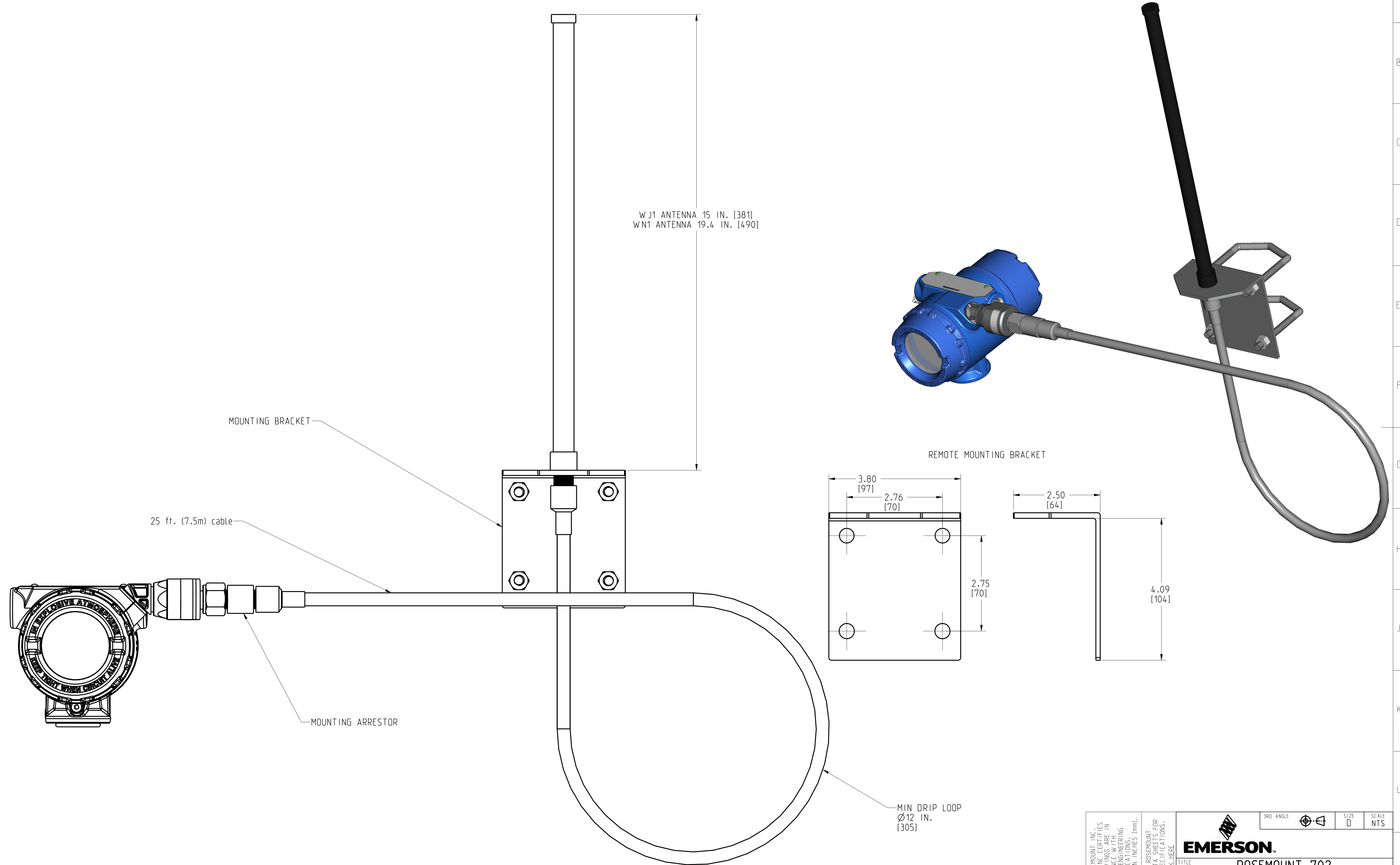
CAD MAINTAINED (PRO/E) SHEET 2 OF 3

3RD ANGLE

SIZE D

SCALE NTS

ROSEMOUNT 702 WIRELESS DISCRETE INPUT AND OUTPUT TRANSMITTER  
 REMOTE CONFIGURATION AND ANTENNA



©2015 ROSEMOUNT, INC.  
 ROSEMOUNT INC. EXPRESSLY  
 DISCLAIMS ALL WARRANTIES IN  
 THIS DOCUMENT, INCLUDING  
 MERCHANTABILITY AND FITNESS  
 FOR A PARTICULAR PURPOSE,  
 AND AGREES TO HOLD THE USER  
 HARMLESS FROM AND AGAINST  
 ALL SUCH WARRANTIES AND  
 DAMAGES, INCLUDING REASONABLE  
 ATTORNEY'S FEES AND COSTS,  
 ARISING OUT OF OR FROM THE  
 USE OF THIS DOCUMENT.  
 UNIT NOTES IN INCHES (mm).

REFERENCE ROSEMOUNT  
 PRODUCT SPECIFICATIONS FOR  
 PRODUCT SPECIFICATIONS.  
 CLICK HERE

3RD ANGLE

EMERSON

TITLE  
 ROSEMOUNT 702  
 TYPE I DRAWING

DR. JLA 6/30/14 DRAWING NO. 00702-7000

APP'D J.VANDERAA 6/30/14

CAD MAINTAINED. (PRO/EI)

SIZE D SCALE NTS

SHEET 3 OF 3