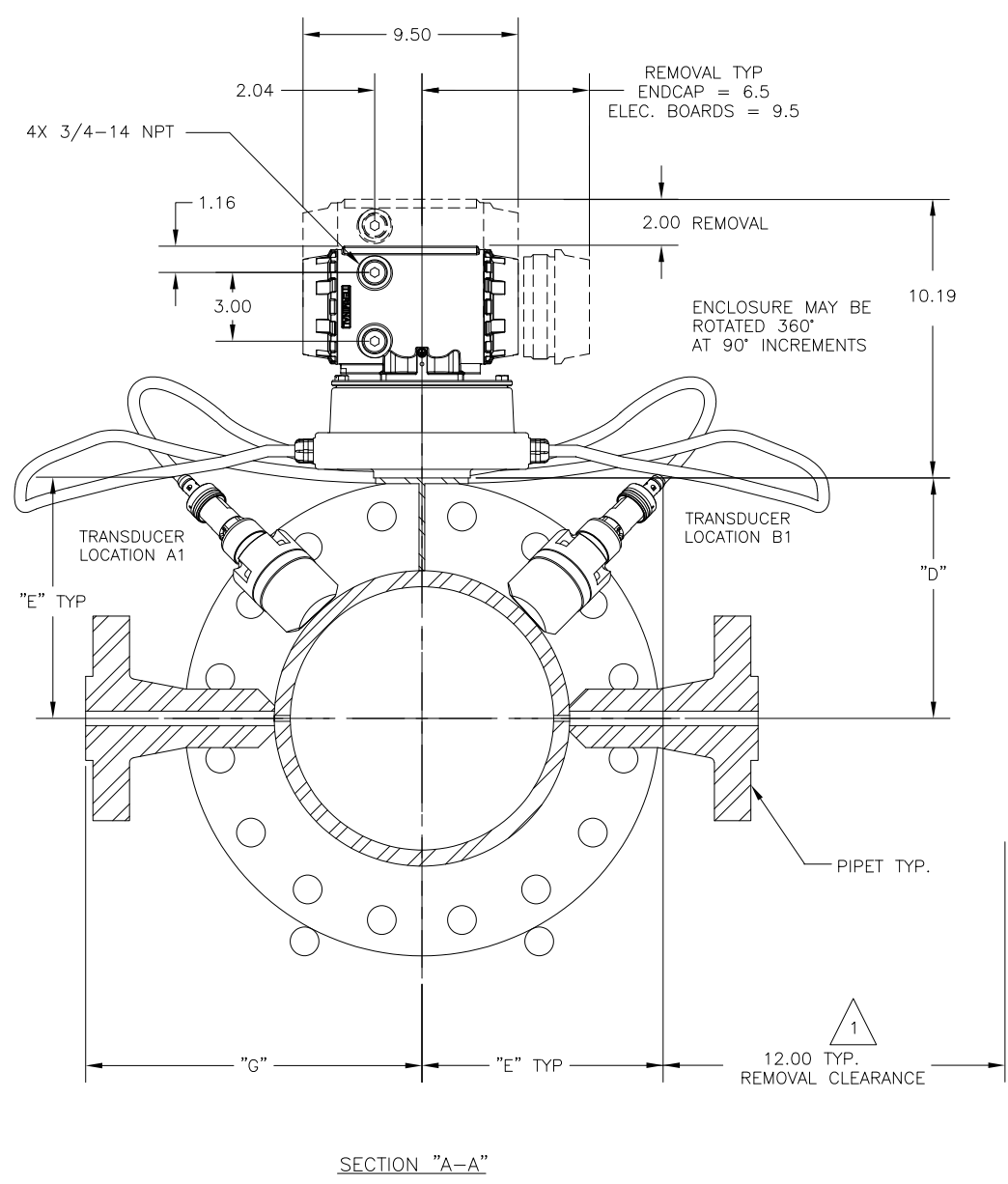
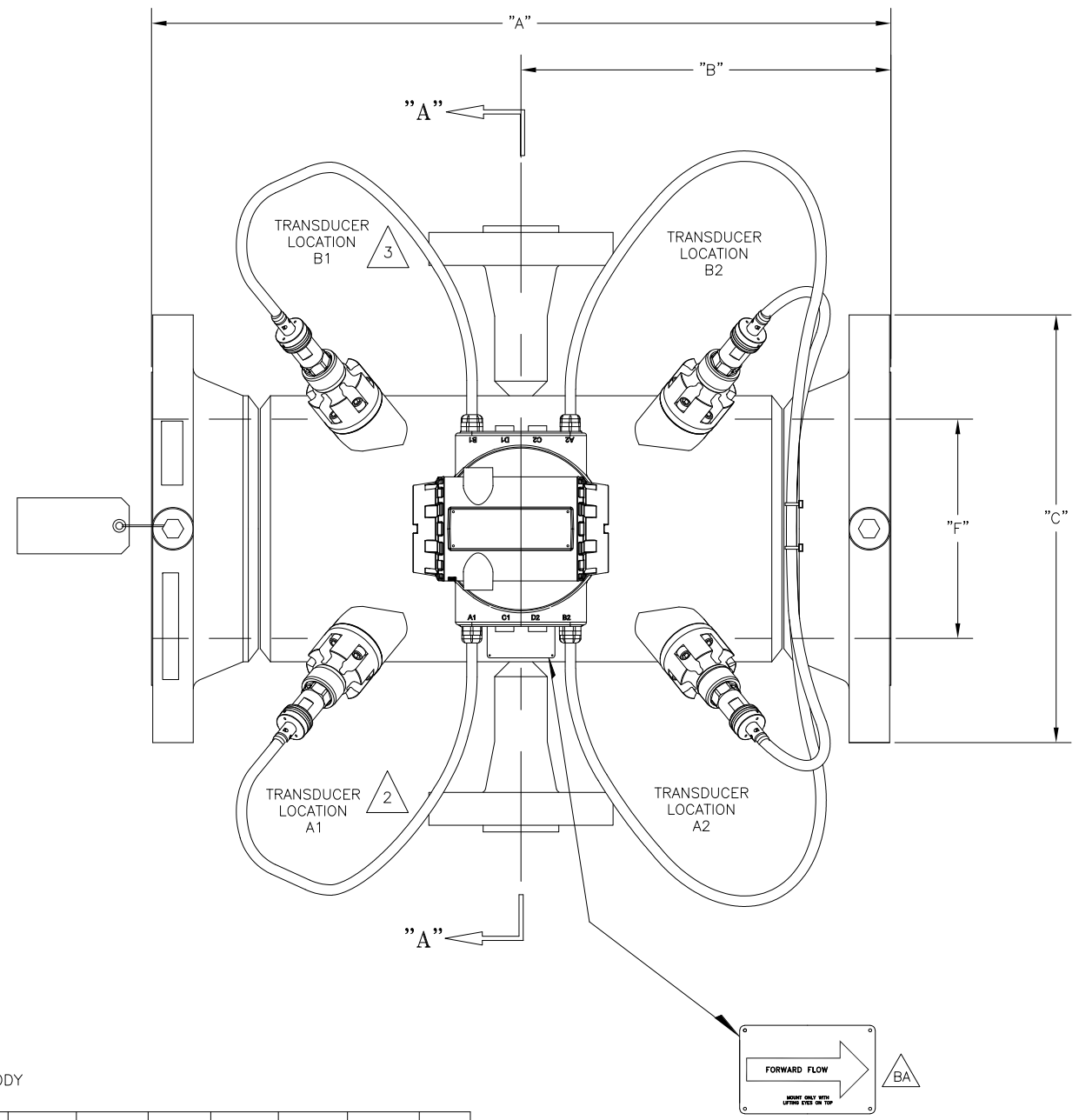


NOTES:

- 1. VERIFY TYPE OF TRANSDUCER CAPSULE INSTALLED IN THE METER PRIOR TO REMOVING IT. PLEASE CONSULT 3410 SERIES ULTRASONIC FLOW METER MAINTENANCE AND TROUBLESHOOTING MANUAL AVAILABLE AT WWW.EMERSON.COM FOR TRANSDUCER CAPSULE REMOVAL PROCEDURES. VENT ALL LINE PRESSURE FROM METER BEFORE REMOVING A T-21 OR T-41 TRANSDUCER CAPSULE.
- 2. SINGLE PATH METERS USE A1-A2 TRANSDUCER PATH ONLY.
- 3. DUAL PATH METERS USE A1-A2 & B1-B2 TRANSDUCER PATHS.



* CAST BODY

SIZE	OVERALL END TO END	CENTER TO END	DIAMETER OF FLANGE	CENTER OF HOUSING TO MOUNTING BOSS	CENTER OF HOUSING TO TRANSDUCER CONNECTOR	CENTER OF HOUSING TO END OF PIPET	APPROXIMATE WEIGHT WITH T-SLOT TRANSDUCER	RING NUMBER
	A	B	C	D	E	G	W.T. (LBS)	R
* 4"	20.00	10.00	12.25	8.12	7.27	8.34	345	R39
4"	31.00	15.50	12.25	6.25	8.53	8.34	345	R39
* 6"	28.00	14.00	15.50	9.16	8.12	9.40	585	R46
6"	37.00	18.50	15.50	7.31	9.28	9.40	645	R46
8"	41.00	20.50	19.00	8.31	10.00	10.40	895	R50
10"	40.00	20.00	23.00	9.38	10.75	11.47	1385	R54
12"	47.00	23.50	26.50	10.38	11.44	12.47	2055	R58
14"	48.00	24.00	29.50	11.00	11.88	13.09	2615	R61
16"	64.00	32.00	32.50	12.00	12.59	14.09	3645	R67
18"	56.00	28.00	36.00	13.00	13.31	15.09	4445	R71

TAG EQUIPMENT NUMBER	SIZE	BORE ("F")

	MODEL: 3411/3412 SINGLE AND DUAL PATH 4"-24" JUNIORSONIC FLOWMETER W/PIPETTS RF & RTJ FLG PRESSURE CLASS 1500 F/K MOUNTS F/T21 AND T41 TRANSDUCERS	TEMPLATE BY: PH	MATERIALS (WHERE APPLICABLE): N / A
		TEMPLATE APPROVED: KG	
		TEMPLATE REV: BA	
		DIMENSIONS ARE IN INCHES	
	DRAWING NO: DMC006210	NOT TO SCALE	
<small>THIS DOCUMENT IS CONFIDENTIAL, CONTAINS PROPRIETARY INFORMATION, AND SHOULD NOT BE DISTRIBUTED, COPIED OR OTHERWISE REPRODUCED WITHOUT THE EXPRESS WRITTEN CONSENT OF MICRO MOTION, INC.</small>			

BA	CA:1213843	02-16-23
B	ECO SP1568	03-13-12
A	RELEASED	06-23-11
REV	DESCRIPTION	DATE
<input type="checkbox"/> CERTIFIED		<input type="checkbox"/> APPROVAL
CUSTOMER:		
PROJECT:		
PO NUMBER:		
SO NUMBER:		
CERTIFIED BY:		
DATE:		
CUSTOMER APPROVAL:		
DATE:		
DOCUMENT NUMBER:		

BA