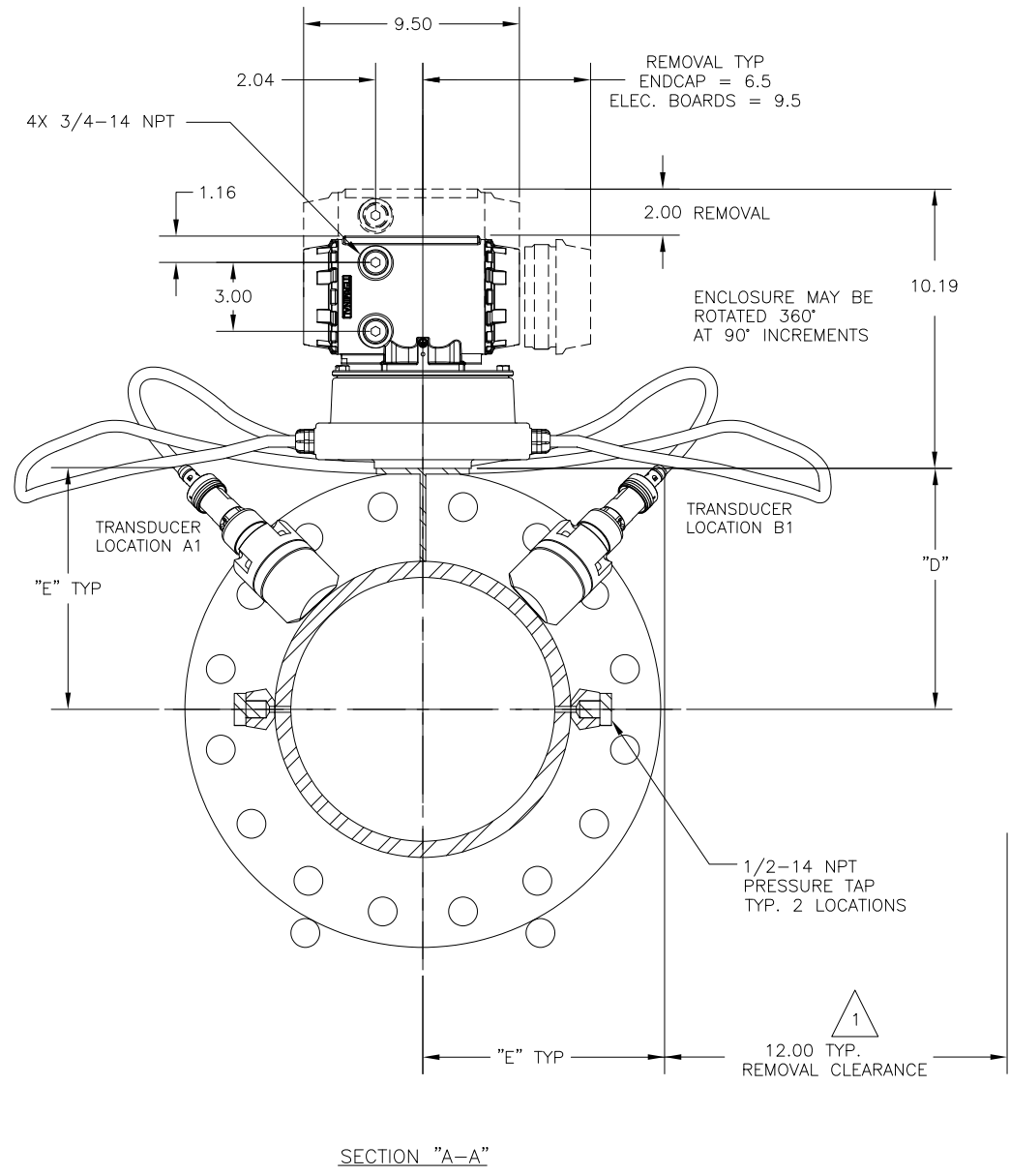
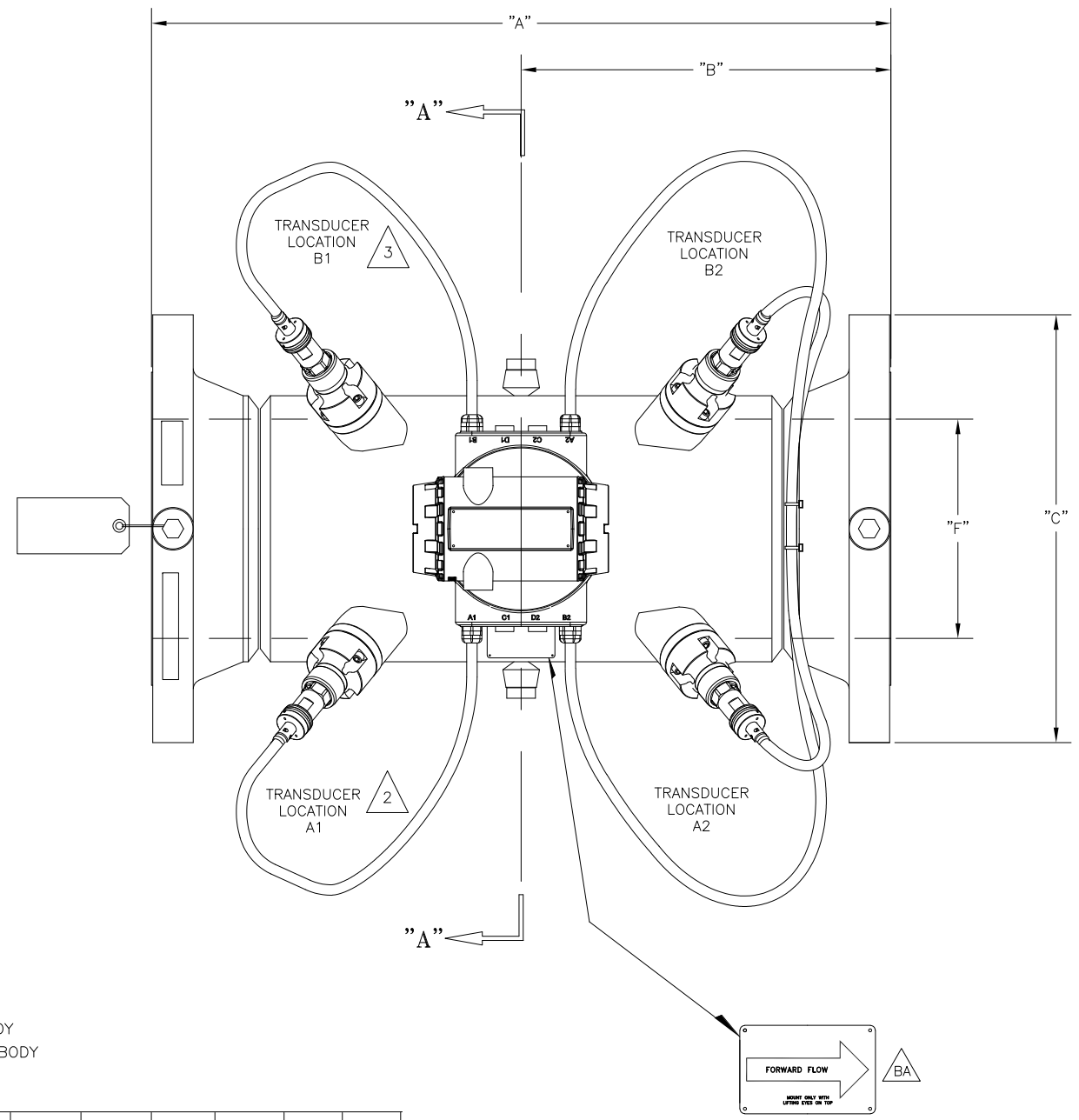


NOTES:

- 1. VERIFY TYPE OF TRANSDUCER CAPSULE INSTALLED IN THE METER PRIOR TO REMOVING IT. PLEASE CONSULT 3410 SERIES ULTRASONIC FLOW METER MAINTENANCE AND TROUBLESHOOTING MANUAL AVAILABLE AT WWW.EMERSON.COM FOR TRANSDUCER CAPSULE REMOVAL PROCEDURES. VENT ALL LINE PRESSURE FROM METER BEFORE REMOVING A T-21 OR T-41 TRANSDUCER CAPSULE.
- 2. SINGLE PATH METERS USE A1-A2 TRANSDUCER PATH ONLY.
- 3. DUAL PATH METERS USE A1-A2 & B1-B2 TRANSDUCER PATHS.



\* CAST BODY  
 \*\* FORGED BODY

SIZE	OVERALL END TO END	CENTER TO END	DIAMETER OF FLANGE	CENTER OF HOUSING TO MOUNTING BOSS	CENTER OF HOUSING TO TRANSDUCER CONNECTOR	APPROXIMATE WEIGHT WITH T-SLOT TRANSDUCER	RING NUMBER
	A	B	C	D	E	W.T. (LBS)	R
*4"	18.75	9.38	10.75	8.12	7.19	275	R37
4"	29.00	14.50	10.75	6.25	8.53	275	R37
*6"	24.00	12.00	14.00	9.16	7.71	475	R45
6"	29.50	14.75	14.00	7.31	9.28	405	R45
8"	31.50	15.75	16.50	8.31	10.00	555	R49
10"	34.00	17.00	20.00	9.38	10.75	815	R53
12"	35.44	17.72	22.00	10.38	11.44	1025	R57
14"	36.00	18.00	23.75	11.00	11.88	1195	R61
16"	44.00	22.00	27.00	12.00	12.59	1725	R65
18"	45.31	22.66	29.25	13.00	13.31	2115	R69
20"	50.62	25.31	32.00	14.00	14.00	2765	R73
24"	58.62	29.31	37.00	16.00	15.44	4245	R77
**30"	67.00	33.50	44.50	19.00	17.56	3705	R95
**36"	73.50	36.75	51.75	22.00	19.69	5155	R98

TAG EQUIPMENT NUMBER	SIZE	BORE ("F")

	MODEL: 3411/3412 SINGLE AND DUAL PATH 4"-36" JUNIORSONIC FLOWMETER RF & RTJ FLG PRESSURE CLASS 600 F/J MOUNTS F/T21 AND T41 TRANSDUCERS	TEMPLATE BY: PH	MATERIALS (WHERE APPLICABLE): N/A
		TEMPLATE APPROVED: KG	
		TEMPLATE REV: BA	
		DIMENSIONS ARE IN INCHES	
	DRAWING NO: DMC006204	NOT TO SCALE	
THIS DOCUMENT IS CONFIDENTIAL, CONTAINS PROPRIETARY INFORMATION, AND SHOULD NOT BE DISTRIBUTED, COPIED OR OTHERWISE REPRODUCED WITHOUT THE EXPRESS WRITTEN CONSENT OF MICRO MOTION, INC.			

BA	CA:1213843	02-16-23
B	ECO SP1568	03-13-12
A	RELEASED	06-23-11
REV	DESCRIPTION	DATE
<input type="checkbox"/> CERTIFIED		<input type="checkbox"/> APPROVAL
CUSTOMER:		
PROJECT:		
PO NUMBER:		
SO NUMBER:		
CERTIFIED BY:		
DATE:		
CUSTOMER APPROVAL:		
DATE:		
DOCUMENT NUMBER:		

BA