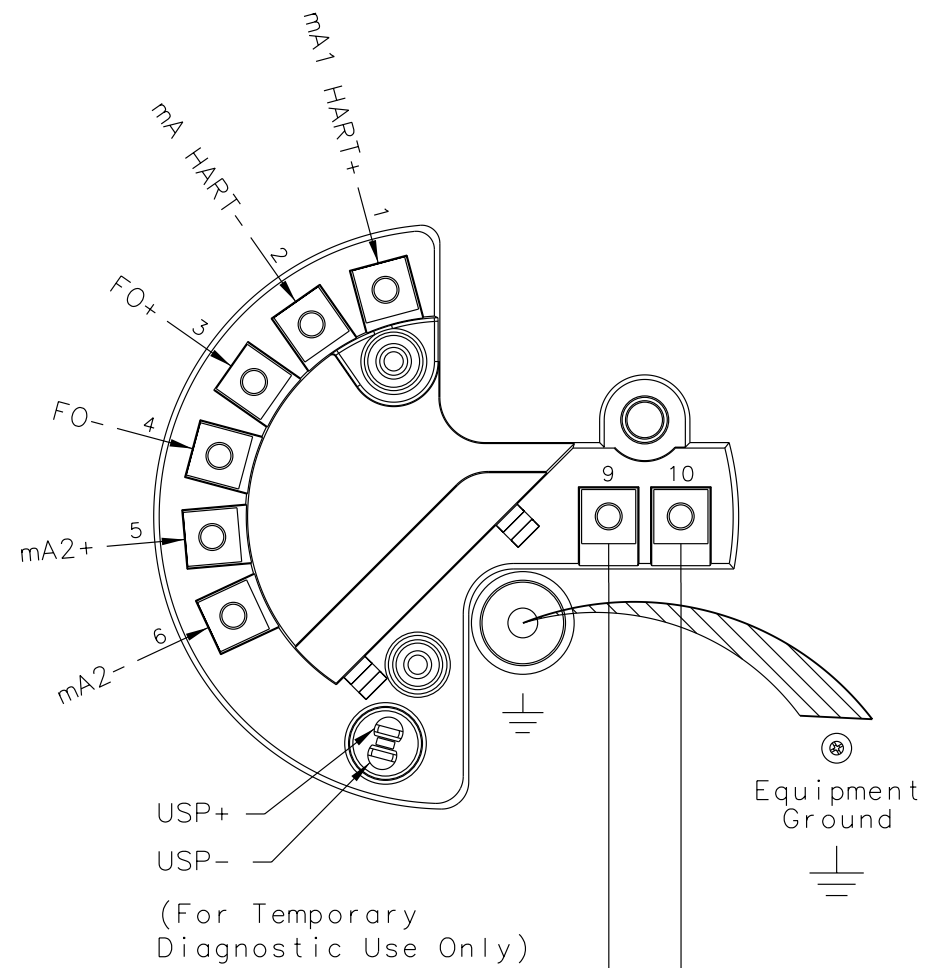
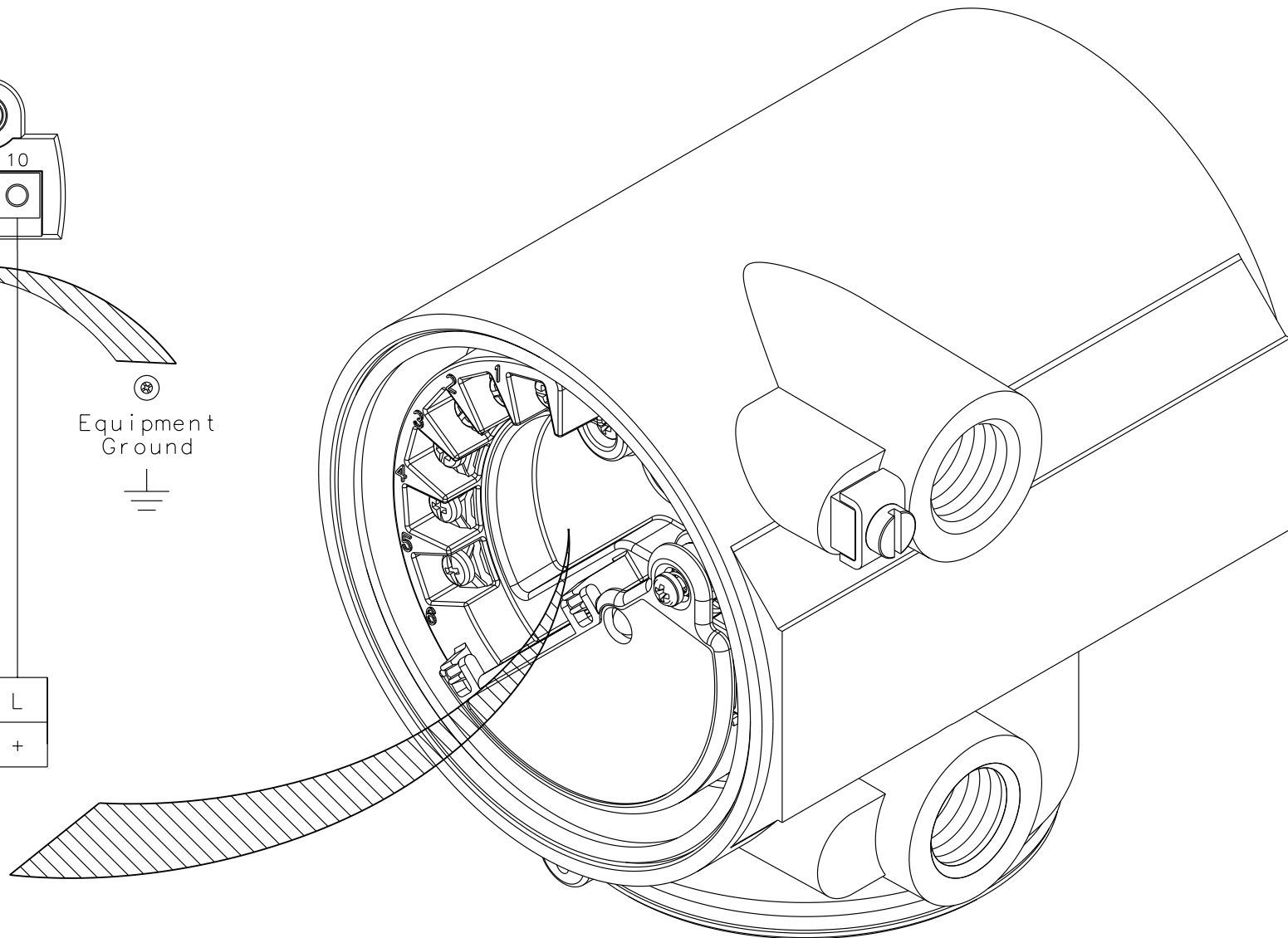


REVISIONS						
REV	ECN	DESCRIPTION OF CHANGE	DRAWN	CHKD	APVD	DATE

GENERAL NOTES (UNLESS OTHERWISE SPECIFIED)



85-250 VAC 50/60 Hz	N	L
18-100 VDC	-	+



ITEM	DESCRIPTION	PART OR REF. NO.	MATL. OR MFR	QTY.
THIRD ANGLE PROJECTION		MICRO MOTION, INC. BOULDER, COLORADO		
		WIRING, 2700 IS OUTPUT		
	NAME	DATE	SIZE	DWG. NO.
DRAWN	LLR	4/25/02	D	EW-20000137
	CHKD.	JLA	11/5/02	REV. A
	APVD.	JLA	11/5/02	SCALE NONE DO NOT SCALE DRAWING SHEET 1 OF 1

COPYRIGHT 2002 MICRO MOTION, INC.
ALL RIGHTS RESERVED