

4

3

2

1

GENERAL NOTES (UNLESS OTHERWISE SPECIFIED)

REVISIONS						
REV	ECN	DESCRIPTION OF CHANGE	DRAWN	CHKD	APVD	DATE

1. IF NATIONAL STANDARDS ARE NOT IN EFFECT, ADHERE TO THIS STANDARD:
- USE COPPER WIRE, 14 AWG (2.5 mm²) OR LARGER WIRE SIZE, FOR GROUNDING.
 - KEEP ALL GROUND LEADS AS SHORT AS POSSIBLE, < 1 OHM IMPEDANCE.

D

D

C

C

B

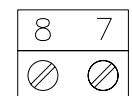
B

A

A

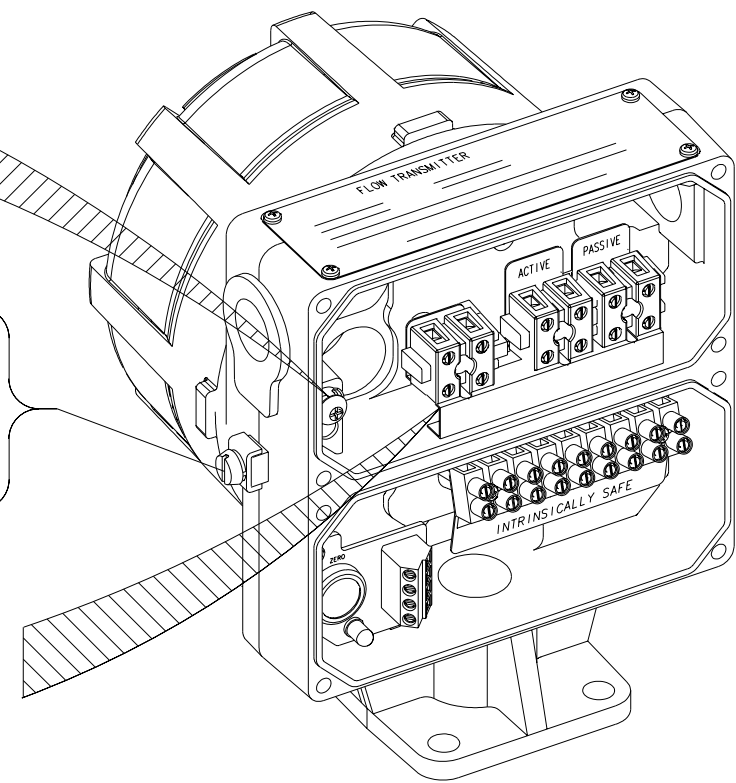
⊥ Equipment Ground

This unit is provided with an external terminal for supplementary bonding connection. This terminal is for use where local codes or authorities permit or require such connection.



85-250 VAC 50/60 Hz	N	L
20-30 VDC	-	+

THIS COMPONENT MUST COMPLY WITH REGULATORY AGENCY REQUIREMENTS. NO CHANGES ARE ALLOWED WITHOUT PRIOR AUTHORIZATION FROM APPROVALS ENGINEERING.



COPYRIGHT 1999 MICRO MOTION, INC. ALL RIGHTS RESERVED

		MICRO MOTION, INC. BOULDER, COLORADO	
THIRD ANGLE PROJECTION		WIRING, IFT9701 PWR/GND	
	NAME	DATE	
DRAWN	SAD	7/11/96	SIZE DWG. NO.
CHKD.	JLA	7/12/96	C EW-3100723
APVD.	JLA	7/12/96	REV. E
SCALE 1 : 1		DO NOT SCALE DRAWING	SHEET 1 OF 1

4

3

2

1